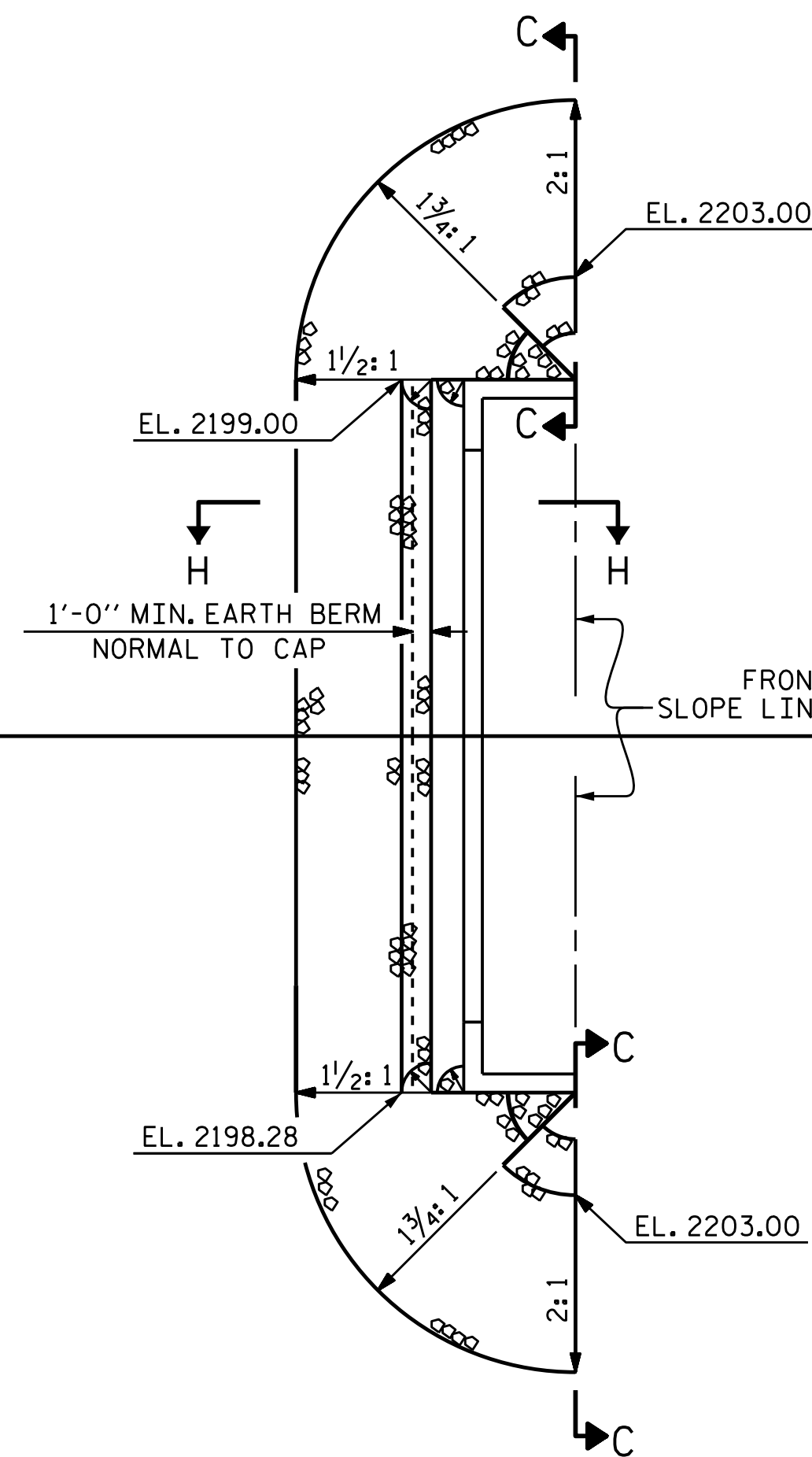
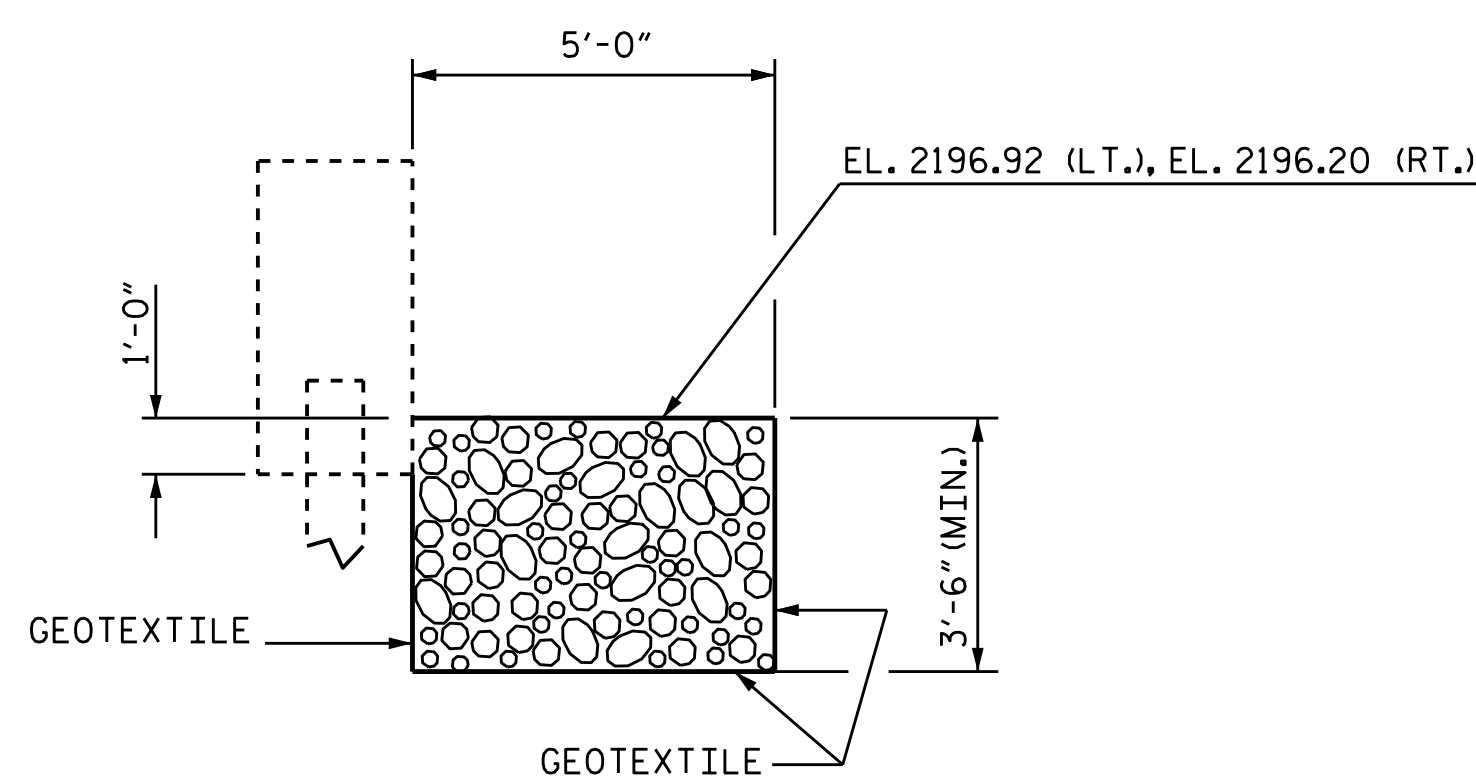


END BENT No. 1

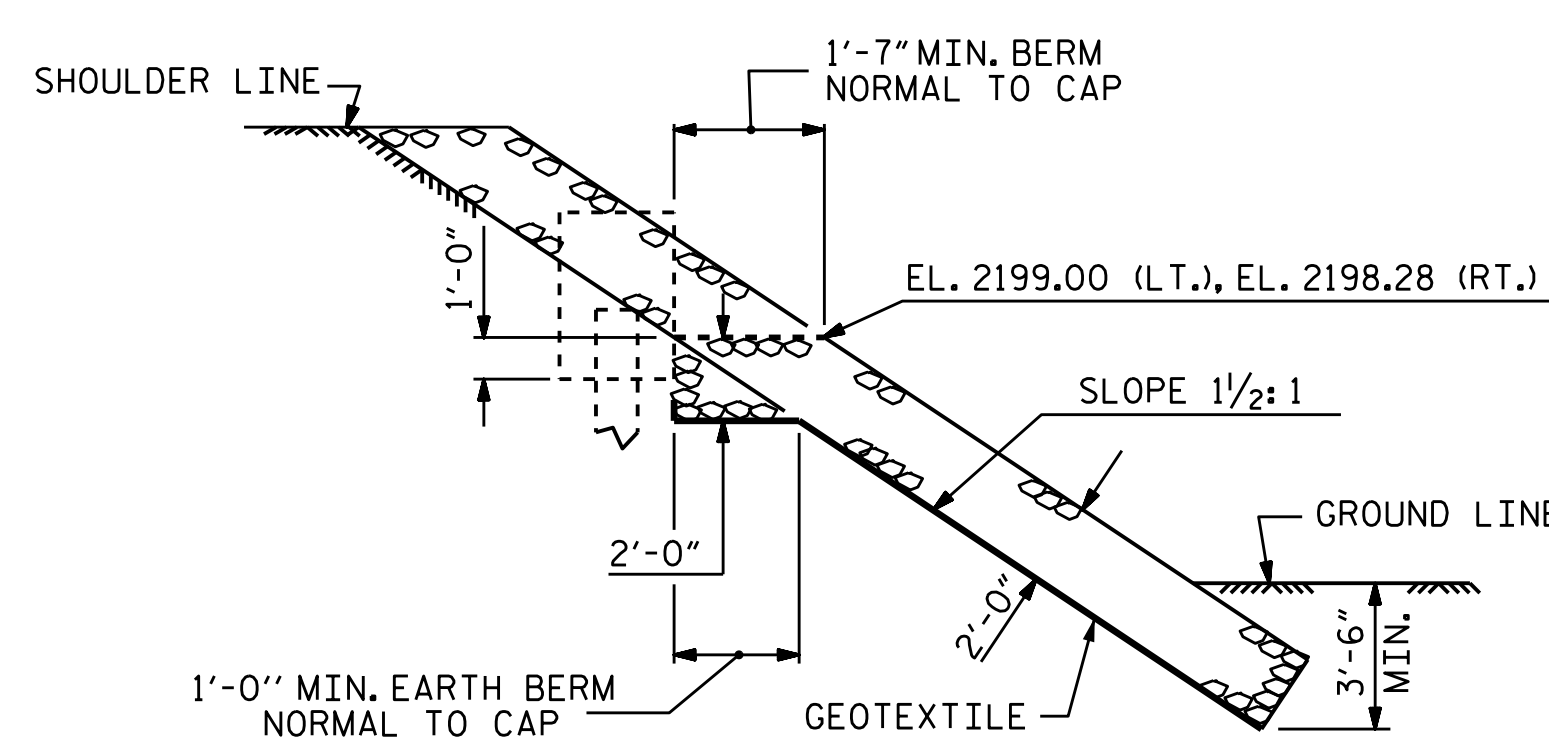


END BENT No. 2

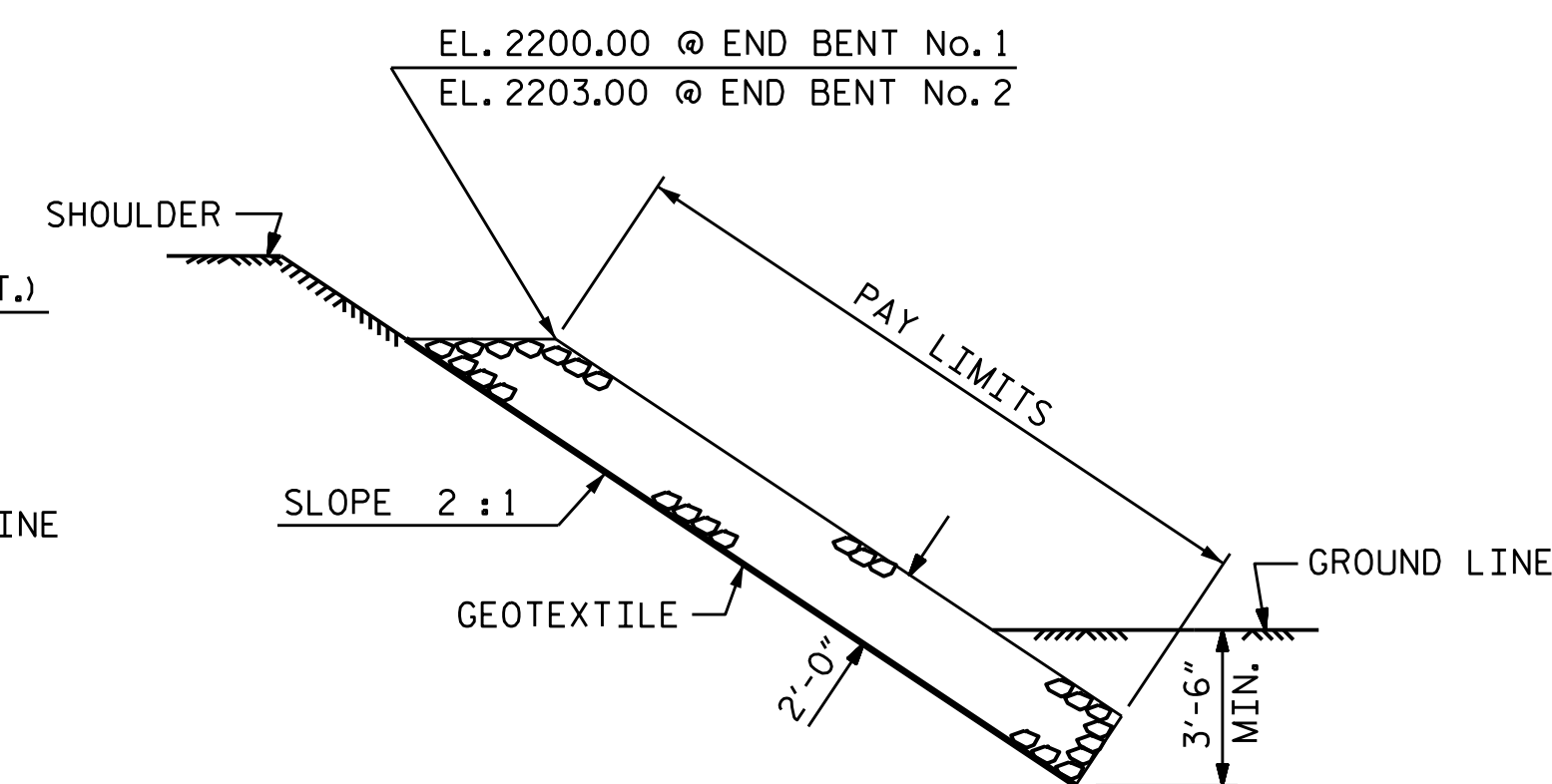
ESTIMATED QUANTITIES			
BRIDGE @ STA. 10+91.50 -L-	RIP RAP CLASS II	RIP RAP CLASS II (2'-0" THICK)	GEOTEXTILE FOR DRAINAGE
	TONS	TONS	SQUARE YARDS
END BENT No. 1	55	-	61
END BENT No. 2	-	82	91



SECTION G-G

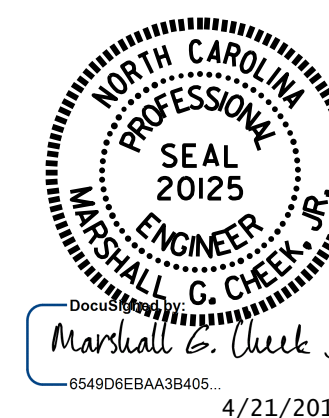


SECTION H-H



SECTION C-C

PROJECT NO. B-5159  
JACKSON COUNTY  
 STATION: 10+91.50 -L-



STATE OF NORTH CAROLINA  
 DEPARTMENT OF TRANSPORTATION  
 RALEIGH  
 STANDARD  
 = RIP RAP DETAILS =

ASSEMBLED BY : T.L. AVERETTE	DATE : 11/08/16
CHECKED BY : M.G. CHEEK	DATE : 1/19/17
DRAWN BY : REK 1/84	REV. 5/1/06R TLA/GM
CHECKED BY : RDU 1/84	REV. 10/1/11 MAA/GM
	REV. 12/21/11 MAA/GM

DOCUMENT NOT CONSIDERED  
 FINAL UNLESS ALL  
 SIGNATURES COMPLETED

REVISIONS						SHEET NO.
NO.	BY:	DATE:	NO.	BY:	DATE:	TOTAL SHEETS
1			3			S-16
2			4			17