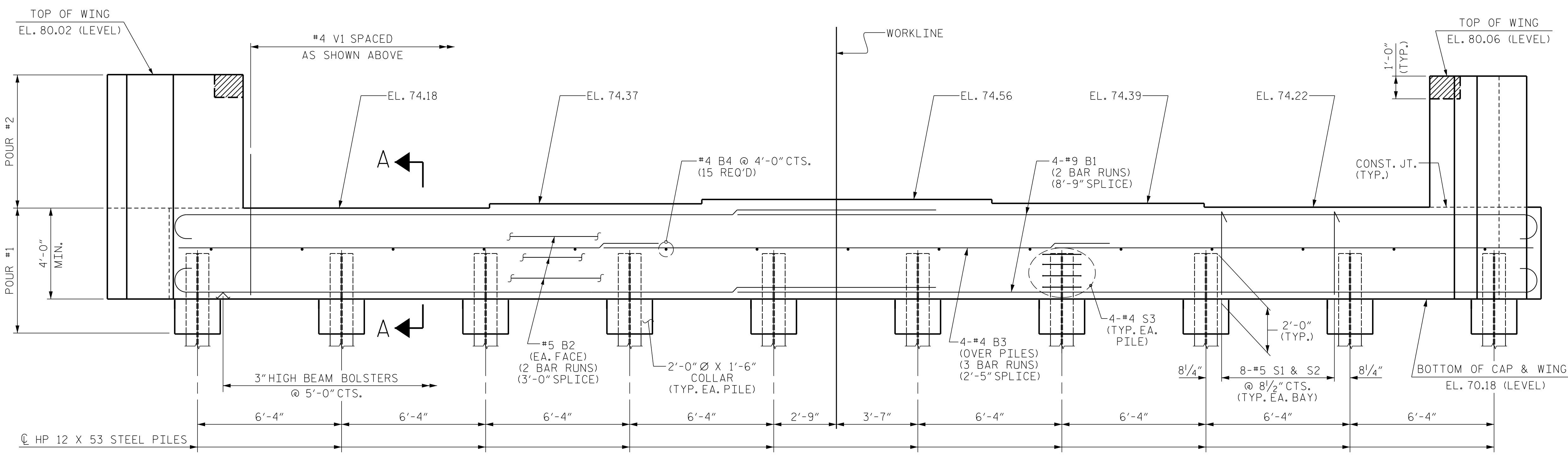
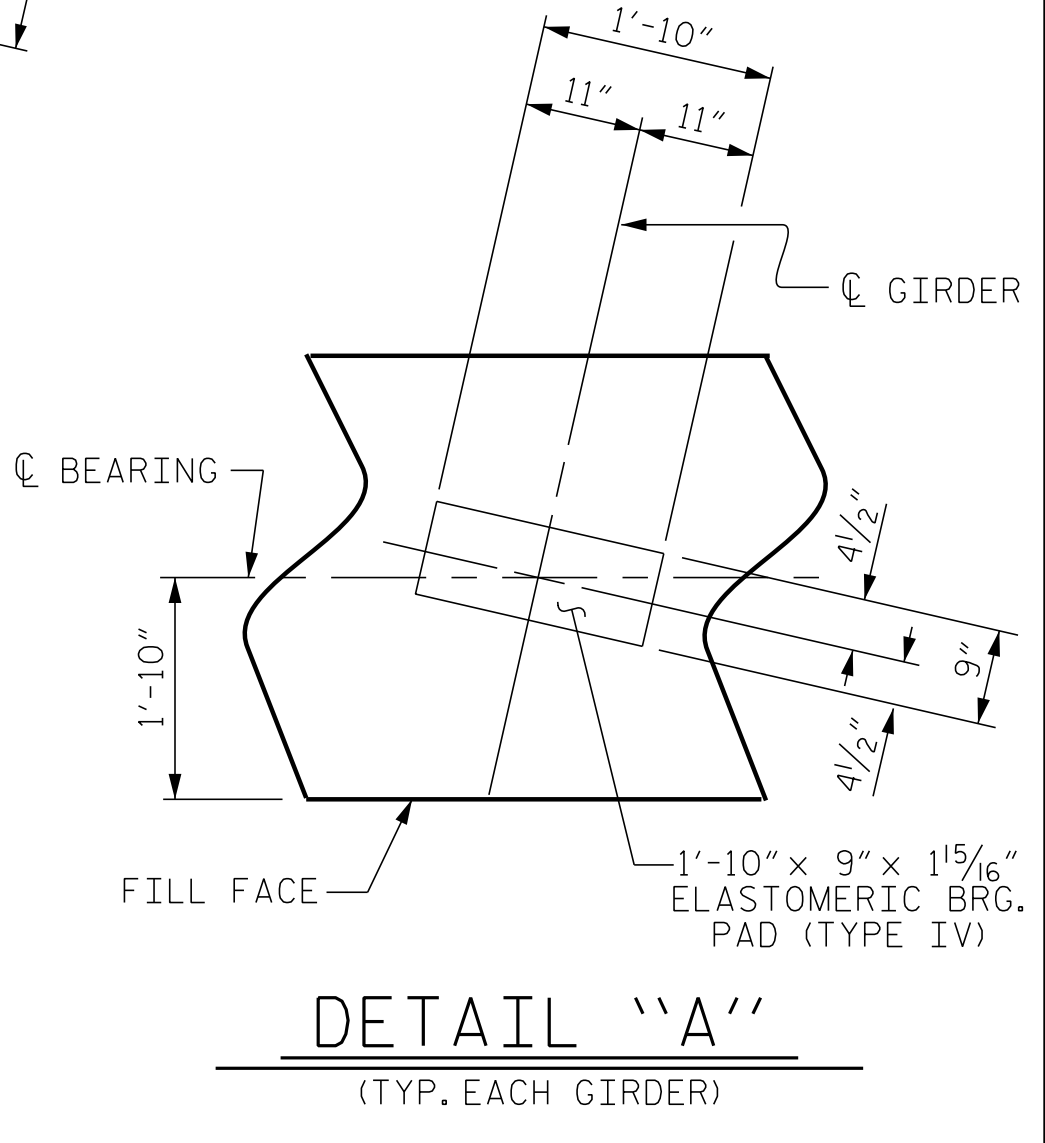


PLAN



ELEVATION

FOR SECTION A-A, SEE SHEET 3 OF 3.



PROJECT NO. R-5311A
 HERTFORD COUNTY
 STATION: 50+99.00 -Y2-
 SHEET 1 OF 3



| | | | | | |
|------------------------------|-----|-------|-----|-----|--------------|
| STATE OF NORTH CAROLINA | | | | | |
| DEPARTMENT OF TRANSPORTATION | | | | | |
| RALEIGH | | | | | |
| SUBSTRUCTURE | | | | | |
| END BENT No. 1 | | | | | |
| REVISIONS | | | | | |
| NO. | BY: | DATE: | NO. | BY: | DATE: |
| 1 | | | 3 | | |
| 2 | | | 4 | | |
| SHEET NO. | | | | | SHEET NO. |
| | | | | | S02-20 |
| | | | | | TOTAL SHEETS |
| | | | | | 61 |

DRAWN BY: J. PENDERGRAFT DATE: 3-16
 CHECKED BY: J. DILWORTH DATE: 3-16

DOCUMENT NOT CONSIDERED FINAL
 UNLESS ALL SIGNATURES COMPLETED

P:\2015\A-5311A\Structures\Str 2 -Y2-DGN\A-5311A_STR_Y2_EBT.dgn
 12/20/2016 2:45:14 PM