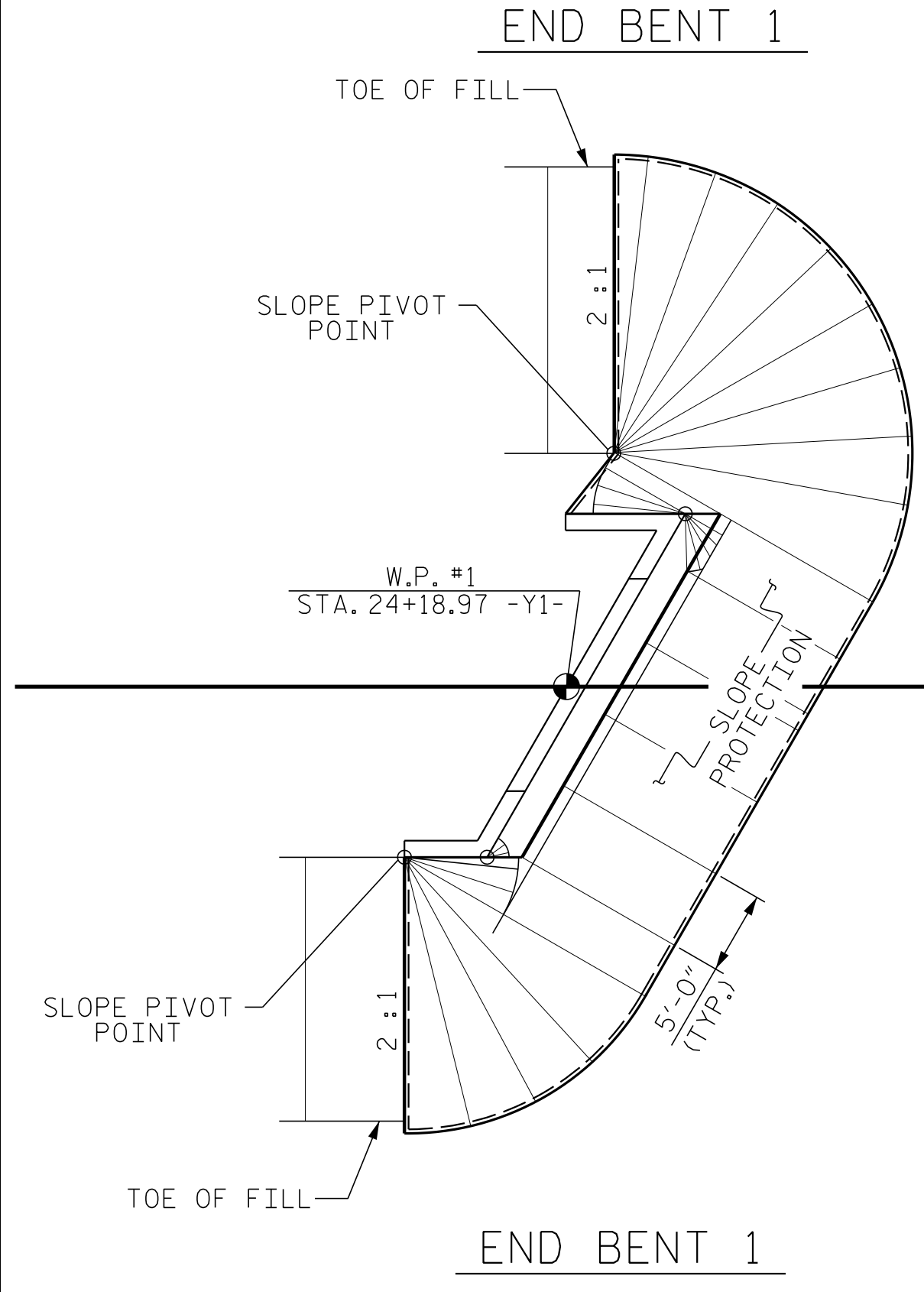
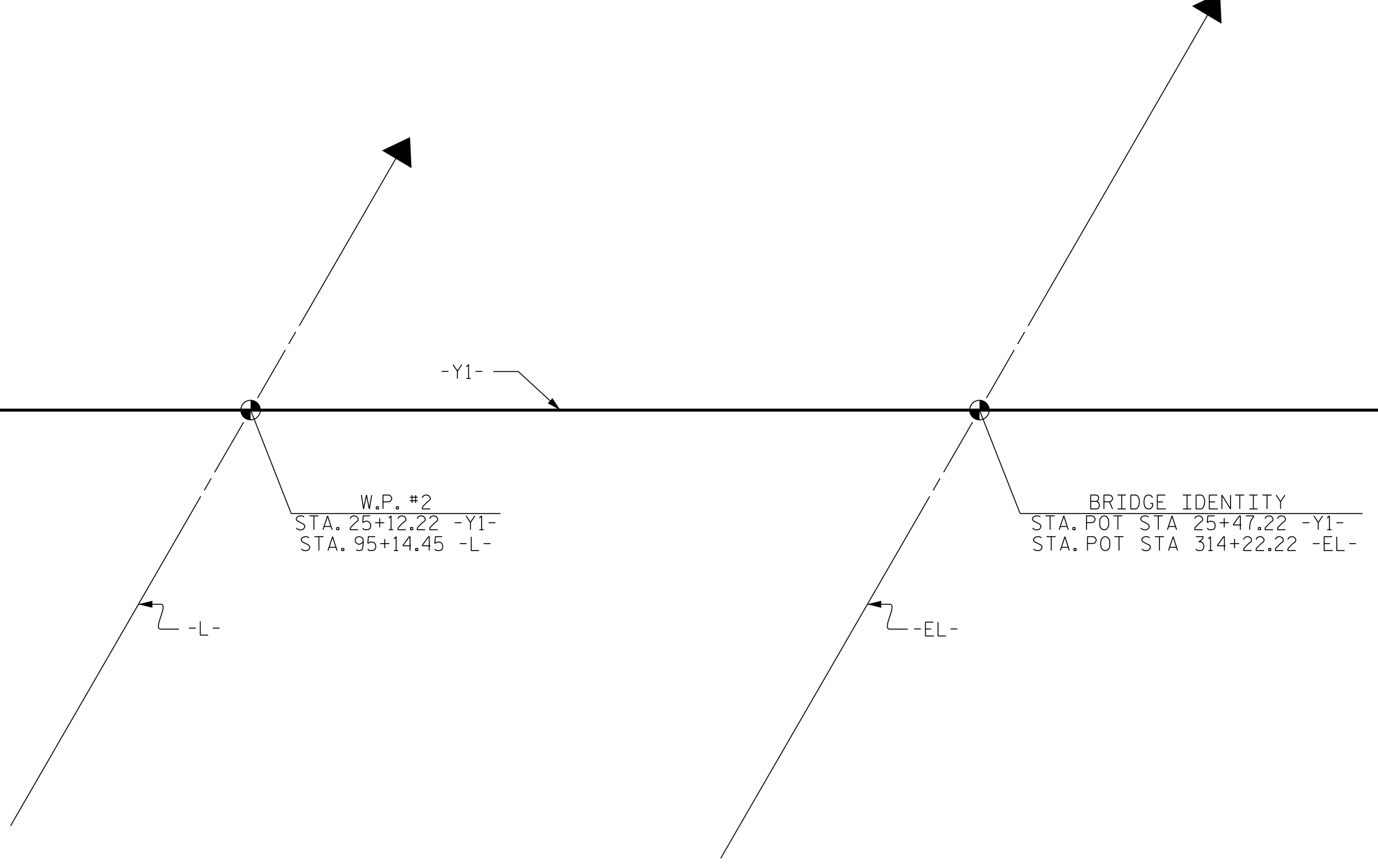


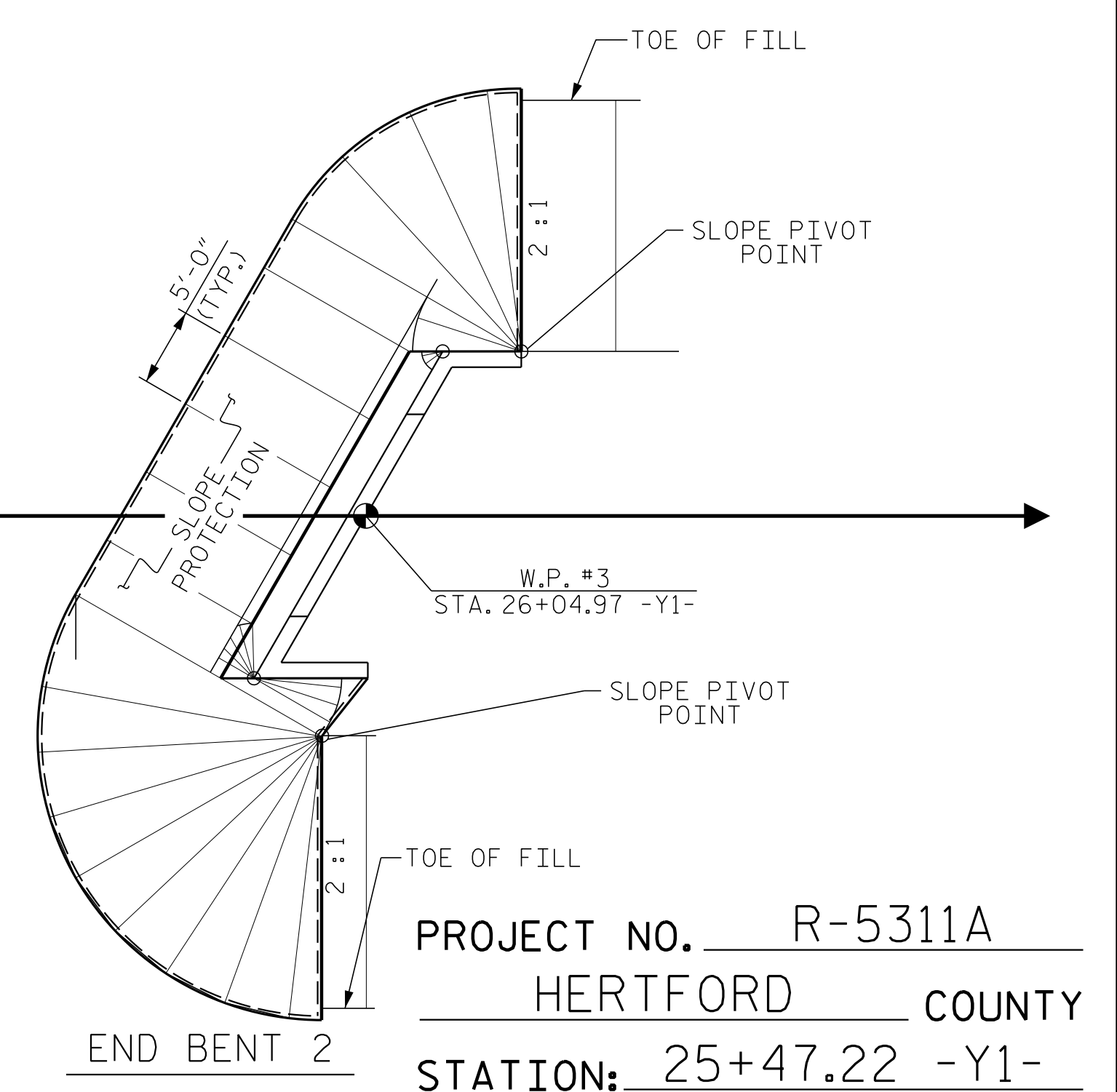
PLAN - GRADING
ELEVATIONS SHOWN AT STA. (UNDER) ARE AT TOP OF CONCRETE SLOPE PROTECTION



END BENT 1



PLAN - CONCRETE PLACEMENT



END BENT 2

PROJECT NO. R-5311A
HERTFORD COUNTY
 STATION: 25+47.22 -Y1-
 SHEET 2 OF 2

P:\2015\A-5311A\Structures\Str 1 -Y1-DGN\WR-5311A_STR_Y1_SP.dgn
 12/20/2016 1:45:04 PM

DRAWN BY : J. PENDERGRAFT DATE : 6-16
 CHECKED BY : G. GILLAND DATE : 6-16

DOCUMENT NOT CONSIDERED FINAL
 UNLESS ALL SIGNATURES COMPLETED

ENGINEER OF RECORD:
 DocuSigned by:

 W. ETHERILL ENGINEERING
 1223 Jones Franklin Rd.
 Raleigh, N.C. 27606
 Bus: 919 851 8077
 Fax: 919 851 8107
 LICENSE NO. F-0377

STATE OF NORTH CAROLINA DEPARTMENT OF TRANSPORTATION RALEIGH		SHEET NO. S01-28	
SLOPE PROTECTION DETAILS			
REVISIONS			
NO.	BY:	DATE:	NO.
1			3
2			4
TOTAL SHEETS		61	