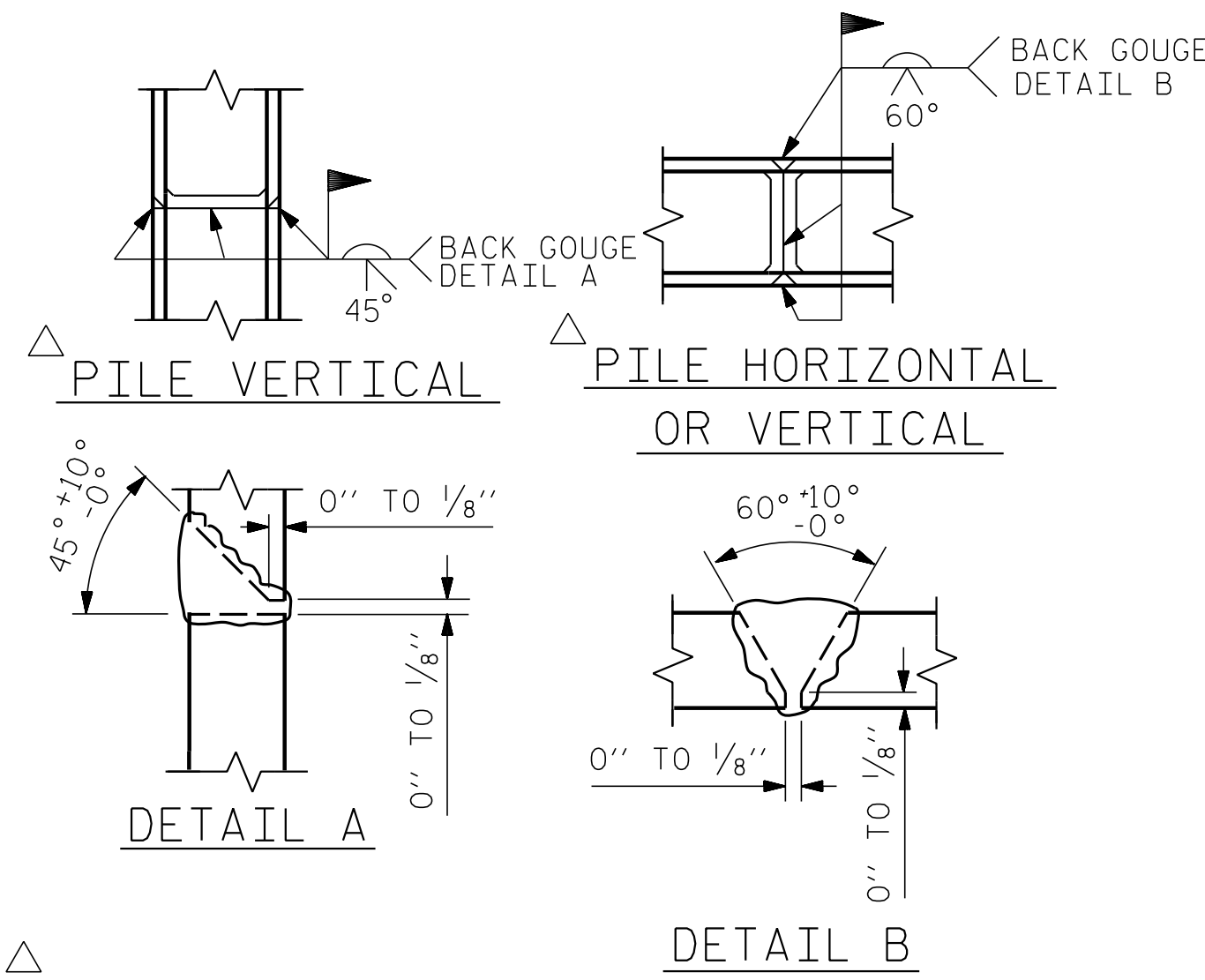


BAGGED STONE AND PIPE SHALL BE PLACED IMMEDIATELY AFTER COMPLETION OF END BENT EXCAVATION. PIPE MAY BE EITHER CONCRETE, CORRUGATED STEEL, CORRUGATED ALUMINUM ALLOY, OR CORRUGATED PLASTIC. PERFORATED PIPE WILL NOT BE ALLOWED.

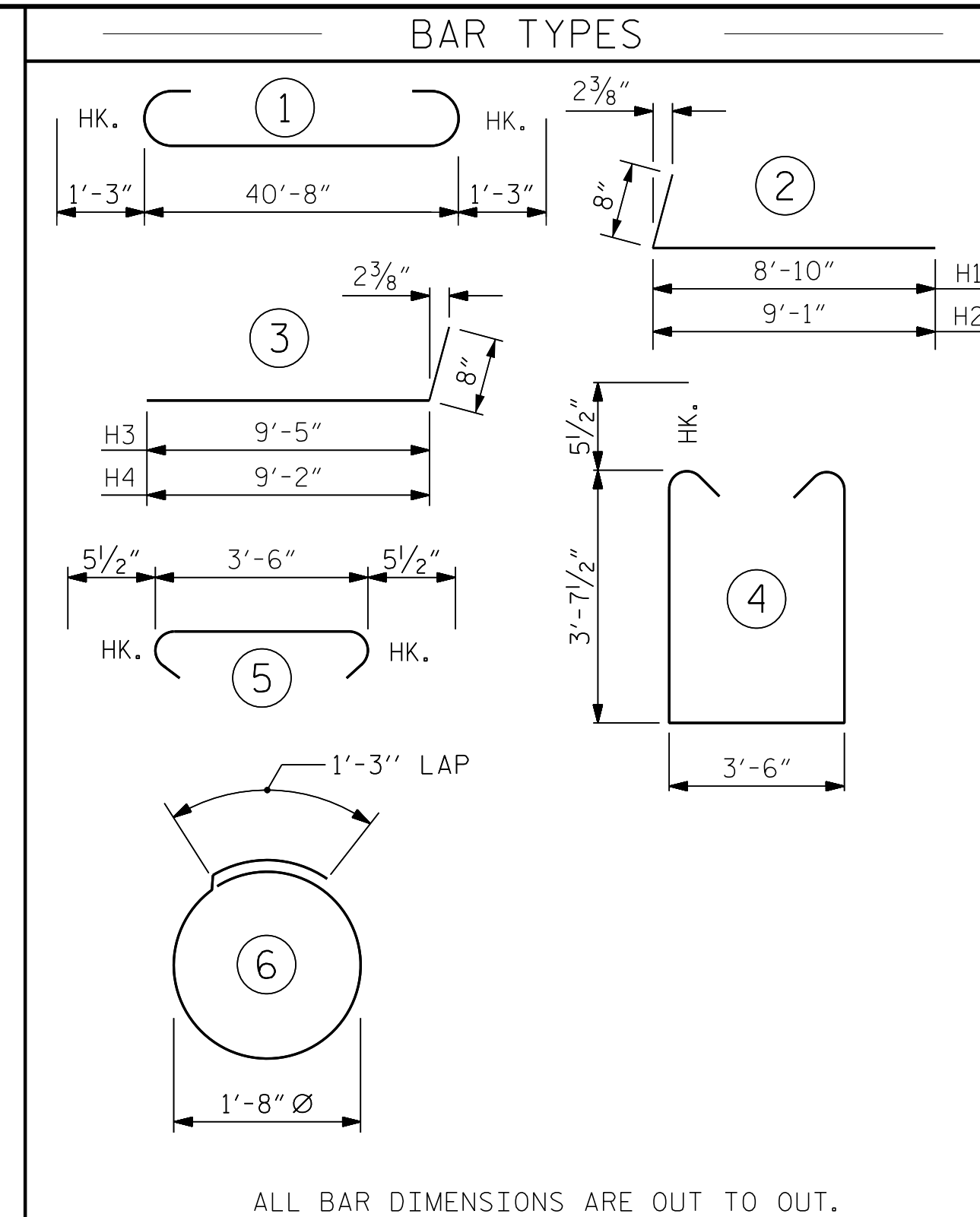
BAGGED STONE SHALL REMAIN IN PLACE UNTIL THE ENGINEER DIRECTS THAT IT BE REMOVED. THE CONTRACTOR SHALL REMOVE AND DISPOSE OF SILT ACCUMULATIONS AT BAGGED STONE WHEN SO DIRECTED BY THE ENGINEER. BAGS SHALL BE REMOVED AND REPLACED WHENEVER THE ENGINEER DETERMINES THAT THEY HAVE DETERIORATED AND LOST THEIR EFFECTIVENESS.

NO SEPARATE PAYMENT WILL BE MADE FOR THIS WORK AND THE ENTIRE COST OF THIS WORK SHALL BE INCLUDED IN THE UNIT CONTRACT PRICE BID FOR THE SEVERAL PAY ITEMS.

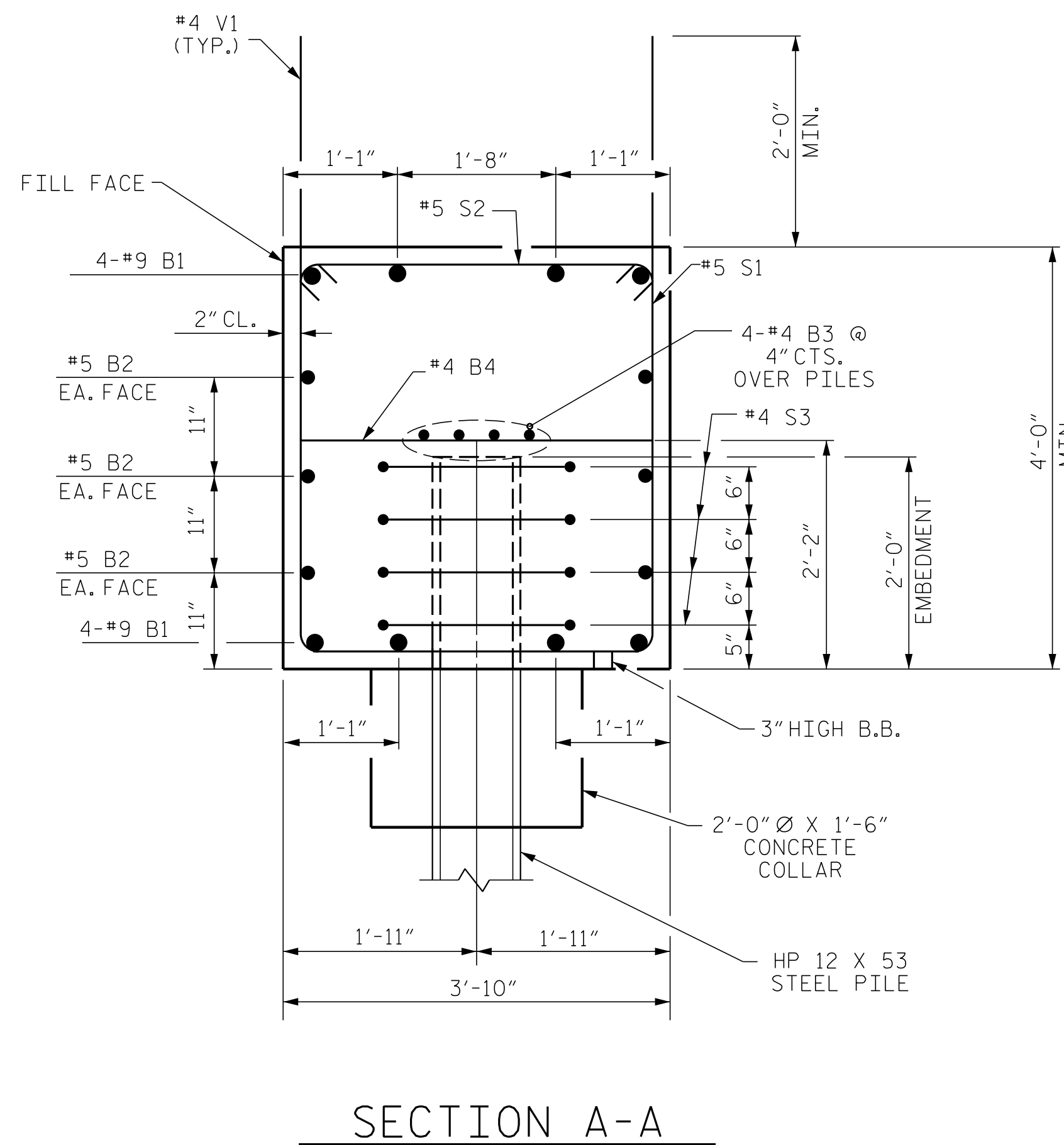
TEMPORARY DRAINAGE AT END BENT



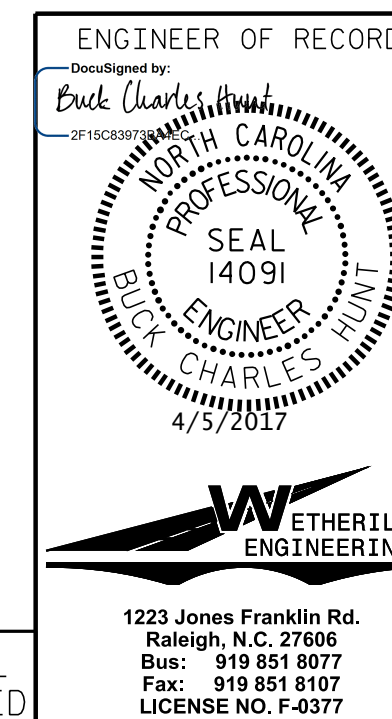
PILE SPLICE DETAILS



BILL OF MATERIAL					
END BENT No. 1					
BAR	NO.	SIZE	TYPE	LENGTH	WEIGHT
B1	8	#9	1	43'-2"	1174
B2	6	#5	STR	40'-10"	256
B3	8	#4	STR	21'-8"	116
B4	10	#4	STR	3'-6"	23
H1	14	#5	2	9'-6"	139
H2	14	#5	2	9'-9"	142
H3	14	#5	3	10'-1"	147
H4	14	#5	3	9'-10"	144
H5	32	#4	STR	3'-10"	82
S1	48	#5	4	11'-8"	584
S2	48	#5	5	4'-5"	221
S3	28	#4	6	6'-6"	122
V1	52	#4	STR	6'-1"	211
V2	56	#4	STR	9'-5"	352
REINFORCING STEEL					3,713 LBS.
CLASS A CONCRETE BREAKDOWN					
POUR #1	CAP, CONC, COLLARS & LOWER PART OF WINGS				27.6 C.Y.
POUR #2	UPPER PART OF WINGS				5.2 C.Y.
TOTAL CLASS A CONCRETE					32.8 C.Y.
HP 12 X 53 STEEL PILES					
NO: 7					LIN. FT.= 609
PILE REDRIVES					4 EA.
PILE DRIVING EQUIPMENT SET UP FOR HP 12 X 53 STEEL PILES					7 EA.



PROJECT NO. R-5311A
 HERTFORD COUNTY
 STATION: 25+47.22 -Y1-
 SHEET 3 OF 3



STATE OF NORTH CAROLINA
 DEPARTMENT OF TRANSPORTATION
 RALEIGH

SUBSTRUCTURE END BENT No. 1

REVISIONS

NO.	BY:	DATE:	NO.	BY:	DATE:	SHEET NO.
1			3			TOTAL SHEETS
2			4			61

DOCUMENT NOT CONSIDERED FINAL
 UNLESS ALL SIGNATURES COMPLETED

1223 Jones Franklin Rd.
 Raleigh, N.C. 27606
 Bus: 919 851 8077
 Fax: 919 851 8107
 LICENSE NO. F-0377

P:\2015\A-5311A\Structures\Str 1 -Y1-DGN\A-5311A_STR_Y1_EBT.dgn
 4/5/2017 11:35:40 AM

DRAWN BY: J. PENDERGRAFT DATE: 3-16
 CHECKED BY: G.M. GILLAND/DAH DATE: 3-16