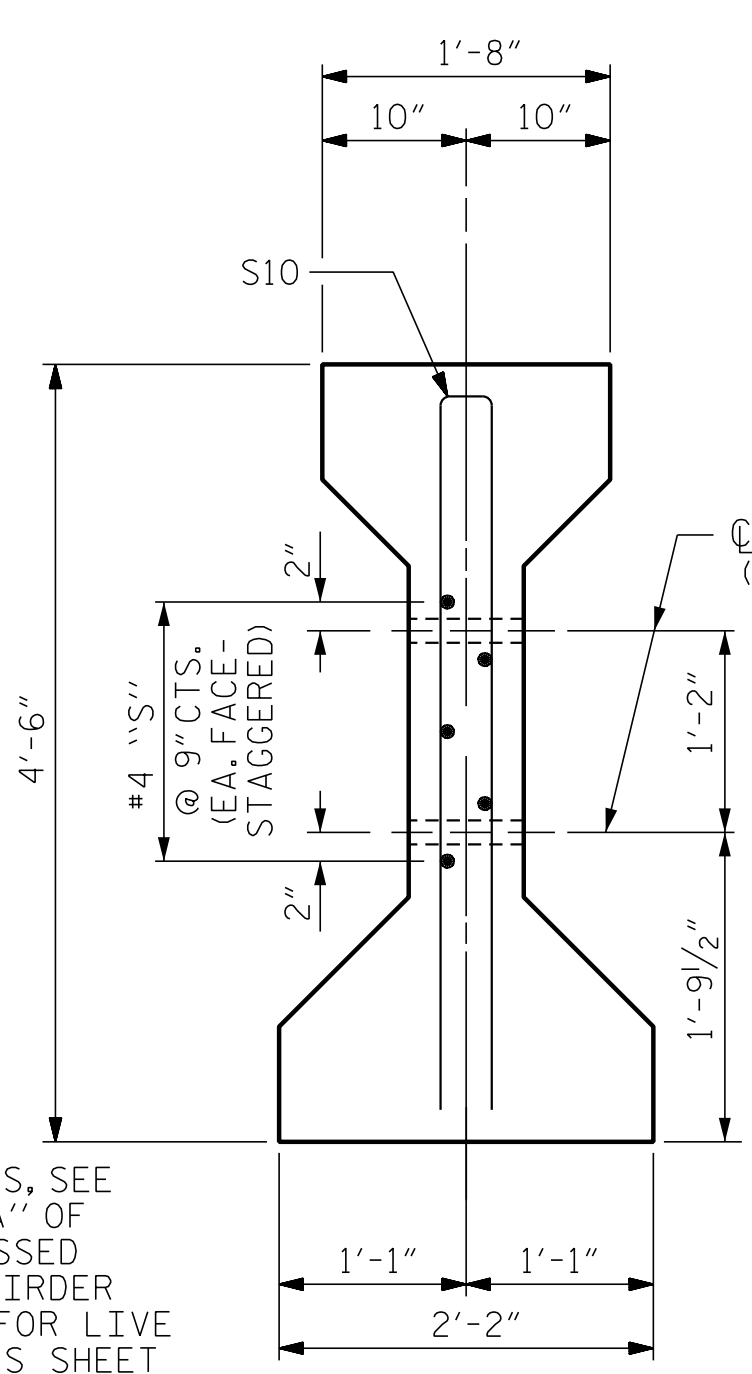


SECTION A-A

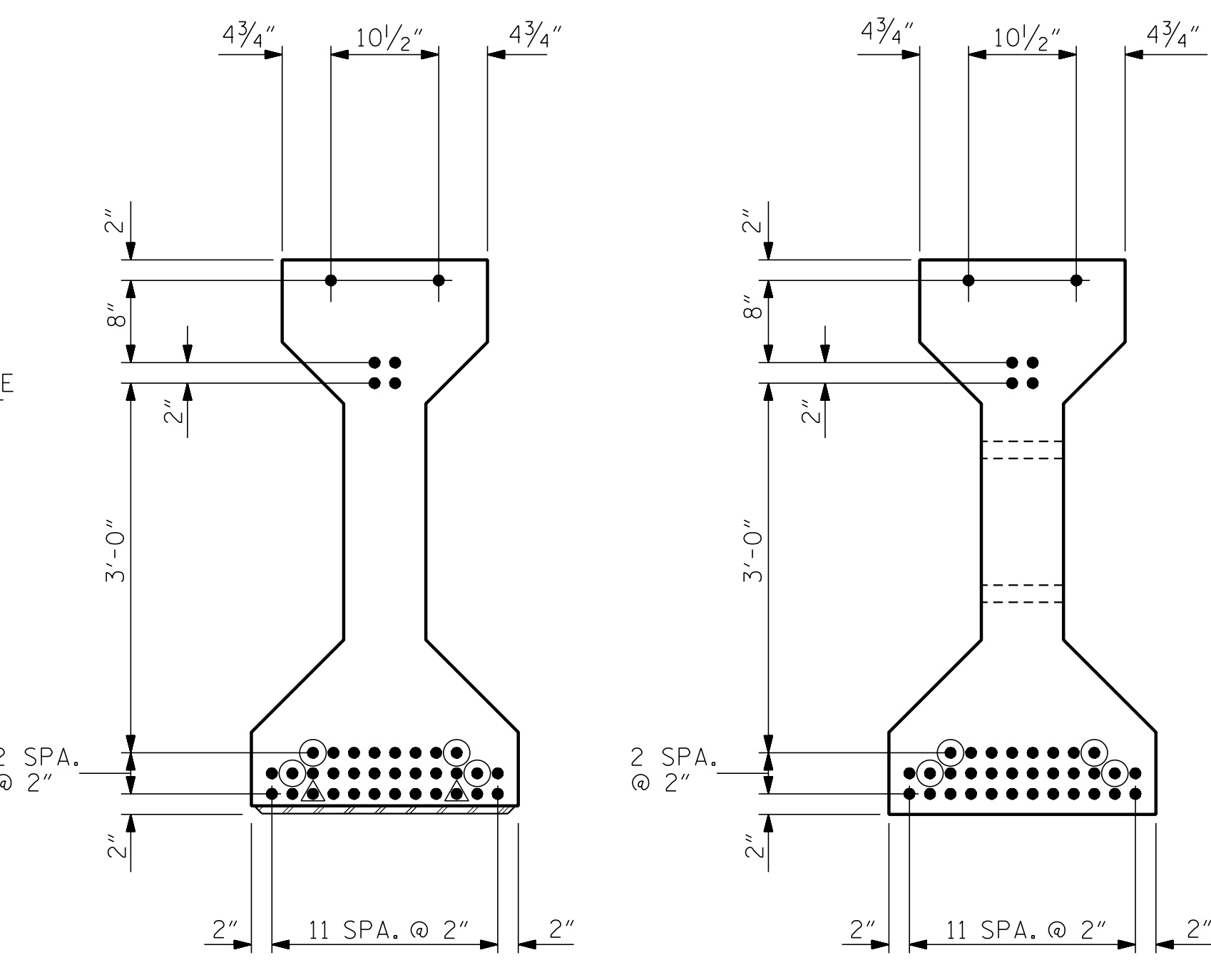
SECTION B-B

* FOR S7 BARS, SEE
DETAIL "A" OF
PRESTRESSED
CONCRETE GIRDER
CONTINUOUS FOR LIVE
LOAD DETAILS SHEET



SECTION C-C
(S1 BARS NOT SHOWN)

1/2" Ø FORMED HOLE
(SEE GIRDER LAYOUT
FOR LOCATION)



AT END OF GIRDER

AT C OF GIRDER

0.6" Ø LOW RELAXATION STRAND LAYOUT

NOTE: OPTIONAL STRANDS ARE PROVIDED
TO ALLOW -Y1- GIRDERS TO BE
CAST WITH -Y2- GIRDERS.

DEBONDING LEGEND

- ▲ DEBOND STRANDS 10'-0"
- FULLY DEBONDED STRAND (OPTIONAL)

0.6" Ø L. R. GRADE 270 STRANDS		
AREA (SQUARE INCHES)	ULTIMATE STRENGTH (LBS. PER STRAND)	APPLIED PRESTRESS (LBS. PER STRAND)
0.217	58,600	43,950

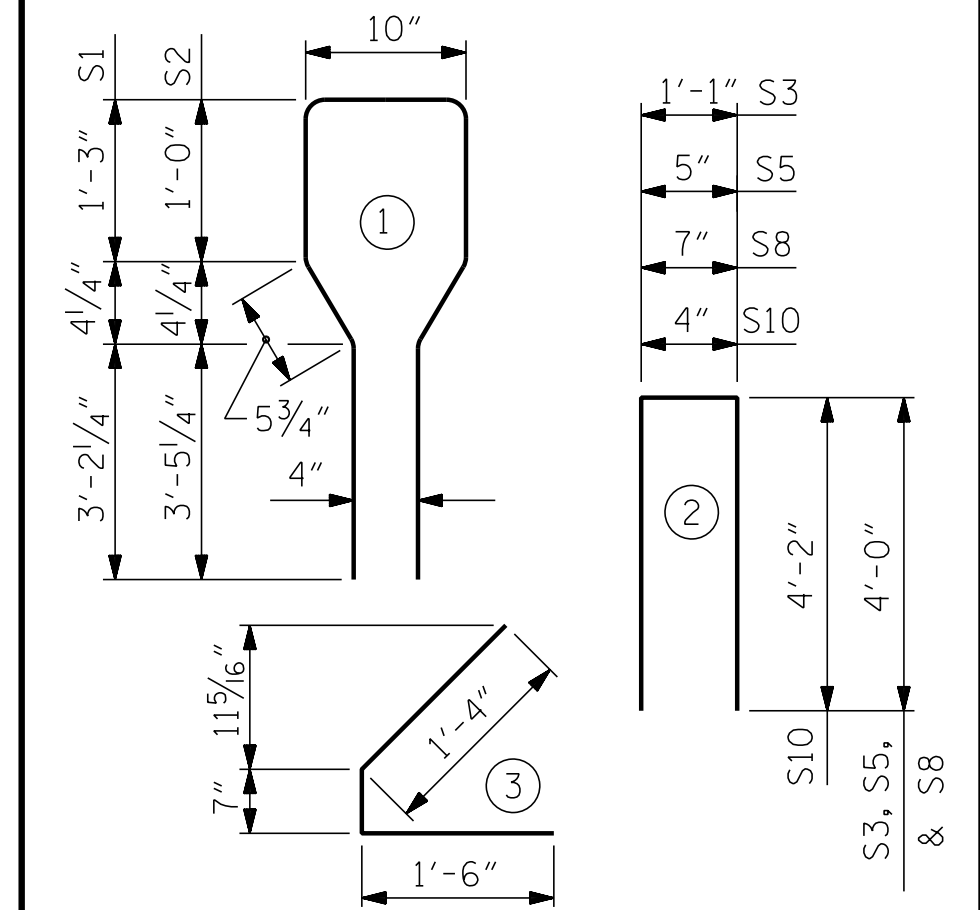
REINFORCING STEEL FOR ONE GIRDER

BAR	NUMBER	SIZE	TYPE	LENGTH	WEIGHT
S1	66	#4	1	10'-8"	470
S2	16	#6	1	10'-8"	256
S3	4	#4	2	9'-1"	24
S4	68	#4	3	3'-5"	155
S5	6	#4	2	8'-5"	34
* S7	18	#5	STR	3'-8"	69
S8	4	#4	2	8'-7"	23
S9	2	#3	STR	1'-10"	1
S10	2	#5	2	8'-8"	18
S11	5	#4	STR	7'-0"	23
S13	1	#3	STR	1'-4"	1

* NOTE: S7 BARS SHALL BE BENT BEFORE
SHIPMENT. HEAT BENDING SHALL
NOT BE ALLOWED.

BAR TYPES

ALL BAR DIMENSIONS ARE OUT-TO-OUT

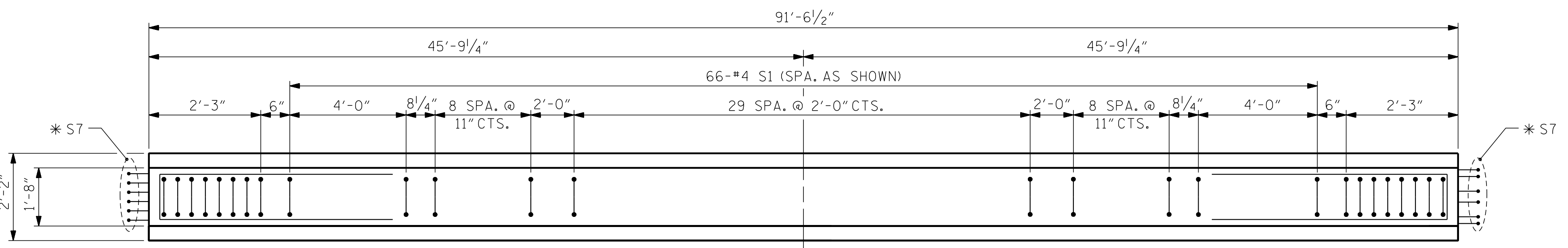


QUANTITIES FOR ONE GIRDER

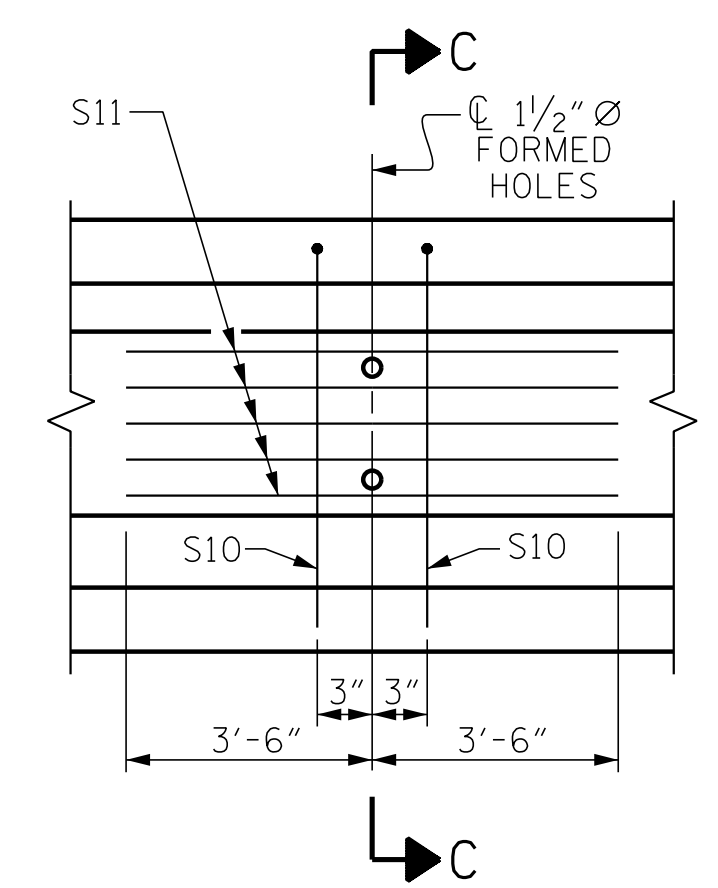
REINFORCING STEEL	7500 PSI CONCRETE	0.6" Ø L. R. STRANDS
LB.	C.Y.	No.
1074	18.6	34

GIRDERS REQUIRED

NUMBER	LENGTH	TOTAL LENGTH
4	91'-6 1/2"	366'-2"

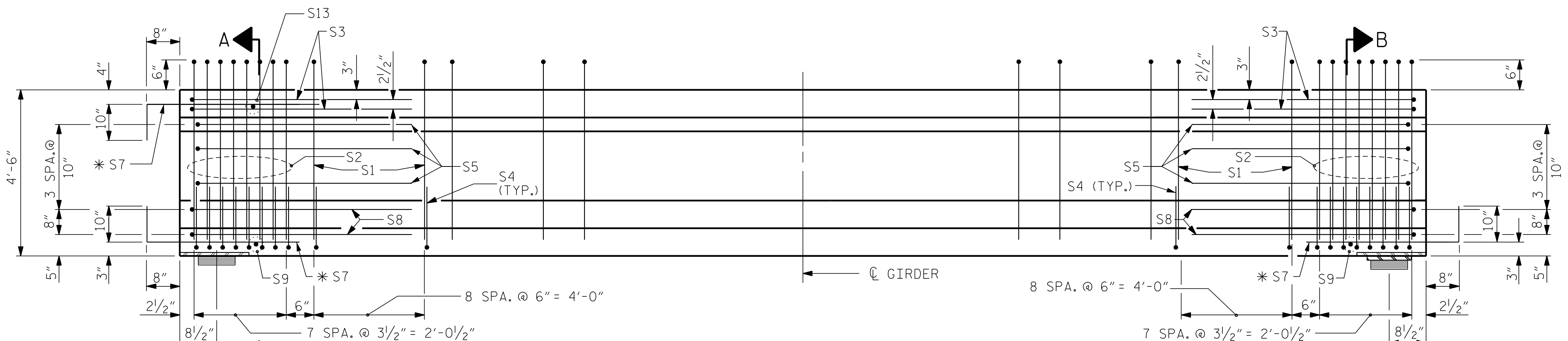


PLAN OF GIRDER



PARTIAL ELEVATION

SHOWING INTERMEDIATE DIAPHRAGM
REINFORCING STEEL FOR GIRDER Nos. 1-4



ELEVATION OF GIRDER

(SEE PARTIAL ELEVATION FOR ADDITIONAL "S" BARS)

P:\2015\A-5311A\Structures\Str 1 -Y1-DGWR-5311A_STR_Y1_PCG.dgn
 12/20/2016 12:59:07 PM

DRAWN BY : D. HODGE DATE : 3/16
 CHECKED BY : G.M. GILLAND DATE : 3/16

DOCUMENT NOT CONSIDERED FINAL
 UNLESS ALL SIGNATURES COMPLETED

ENGINEER OF RECORD:
 Designed by:

 1223 Jones Franklin Rd.
 Raleigh, N.C. 27606
 Bus: 919 851 8077
 Fax: 919 851 8107
 LICENSE NO. F-0377

PROJECT NO. R-5311A
 HERTFORD COUNTY
 STATION: 25+47.22 -Y1-
 SHEET 1 OF 4

STATE OF NORTH CAROLINA
 DEPARTMENT OF TRANSPORTATION
 RALEIGH

AASHTO TYPE IV
 PRESTRESSED CONCRETE GIRDER
 CONTINUOUS FOR LIVE LOAD
 SPAN A

REVISIONS					
NO.	BY:	DATE:	NO.	BY:	DATE:
1			3		
2			4		

SHEET NO.
 S01-10
 TOTAL SHEETS
 61