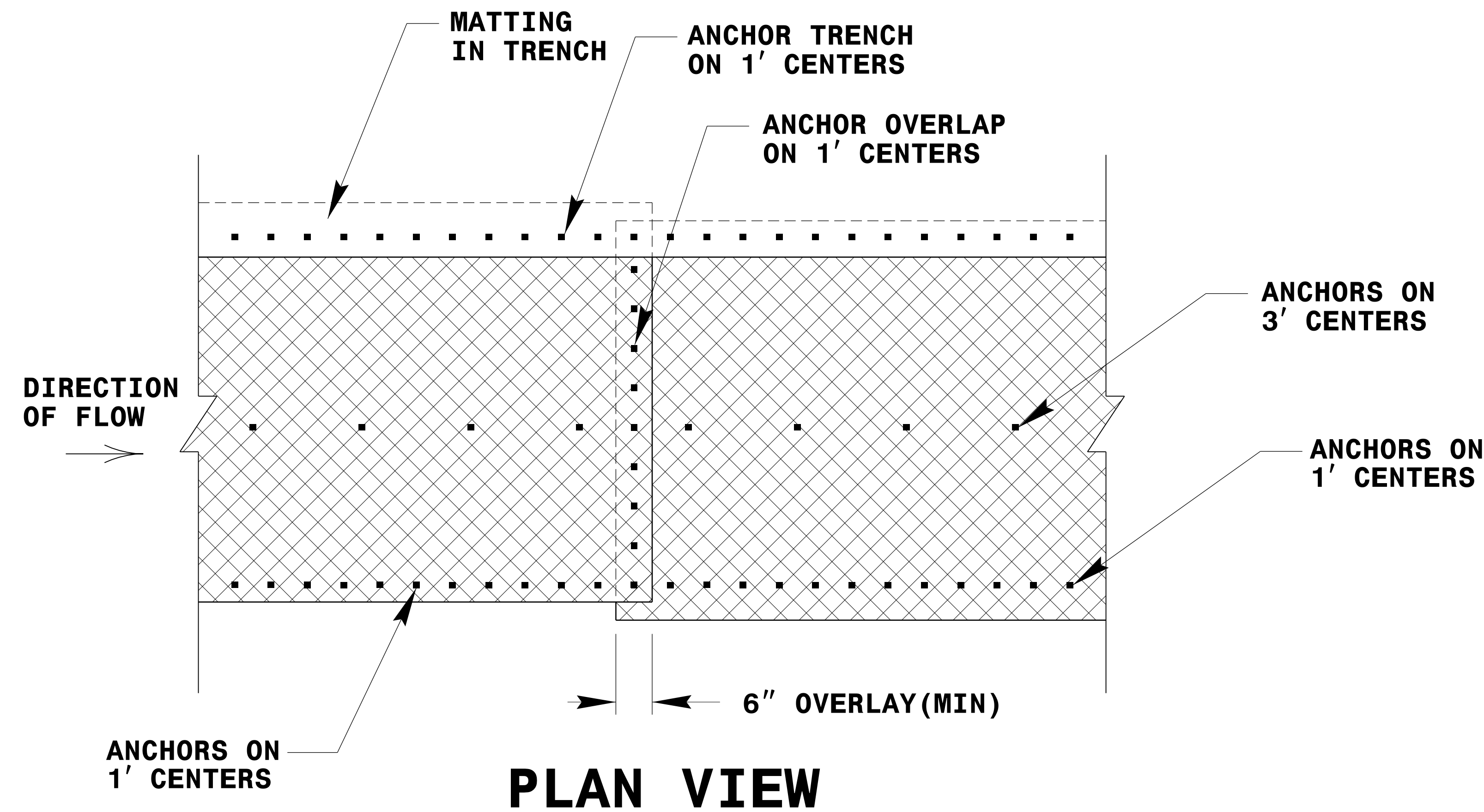
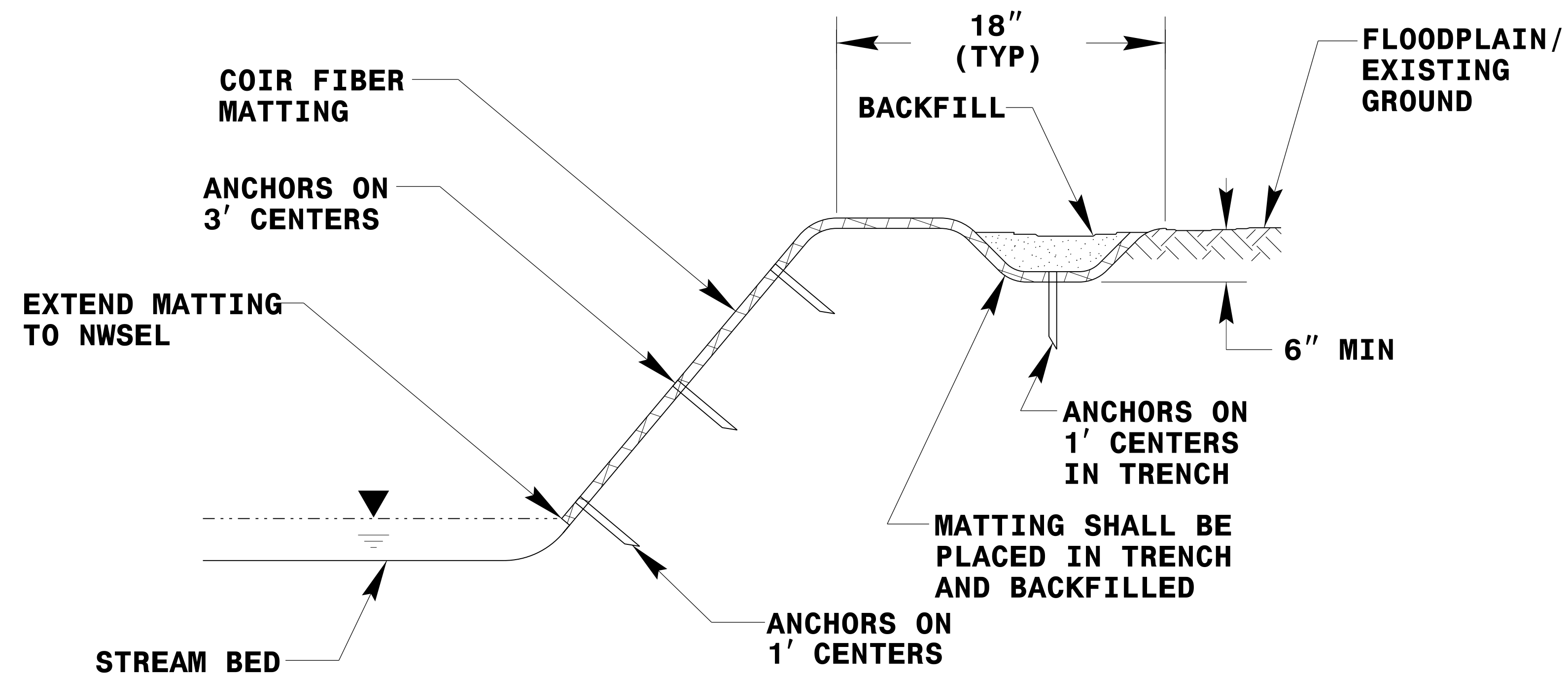


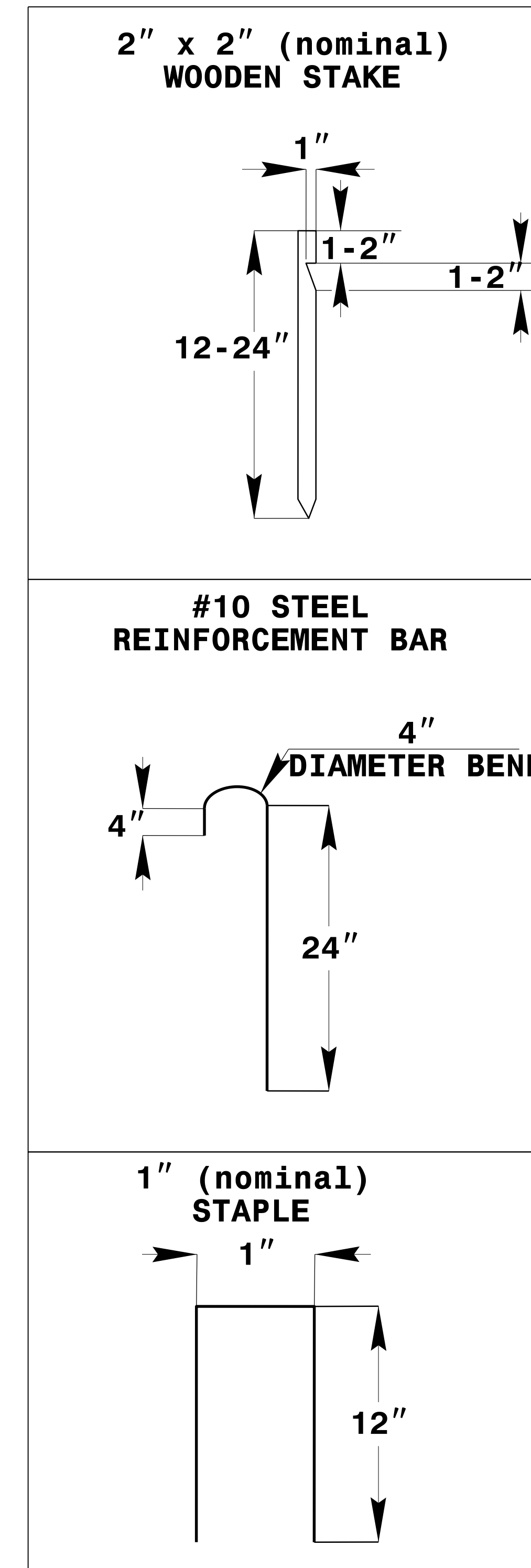
PROJECT REFERENCE NO. U-3633	SHEET NO. RF-3
RW SHEET NO.	
ROADWAY DESIGN ENGINEER	HYDRAULICS ENGINEER



PLAN VIEW



TYPICAL CROSS SECTION



ANCHOR OPTIONS

COIR FIBER MATTING DETAIL

NOT TO SCALE

STREAMBANK REFORESTATION
DETAIL SHEET 2 OF 2
N.C.D.O.T. - ROADSIDE ENVIRONMENTAL UNIT