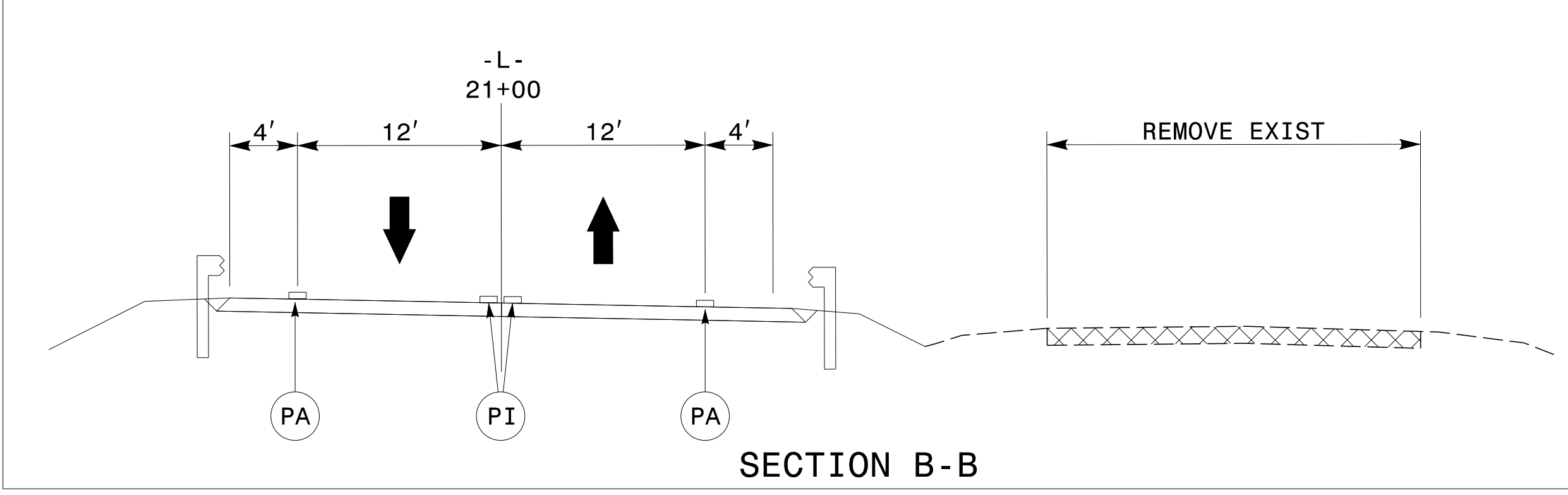
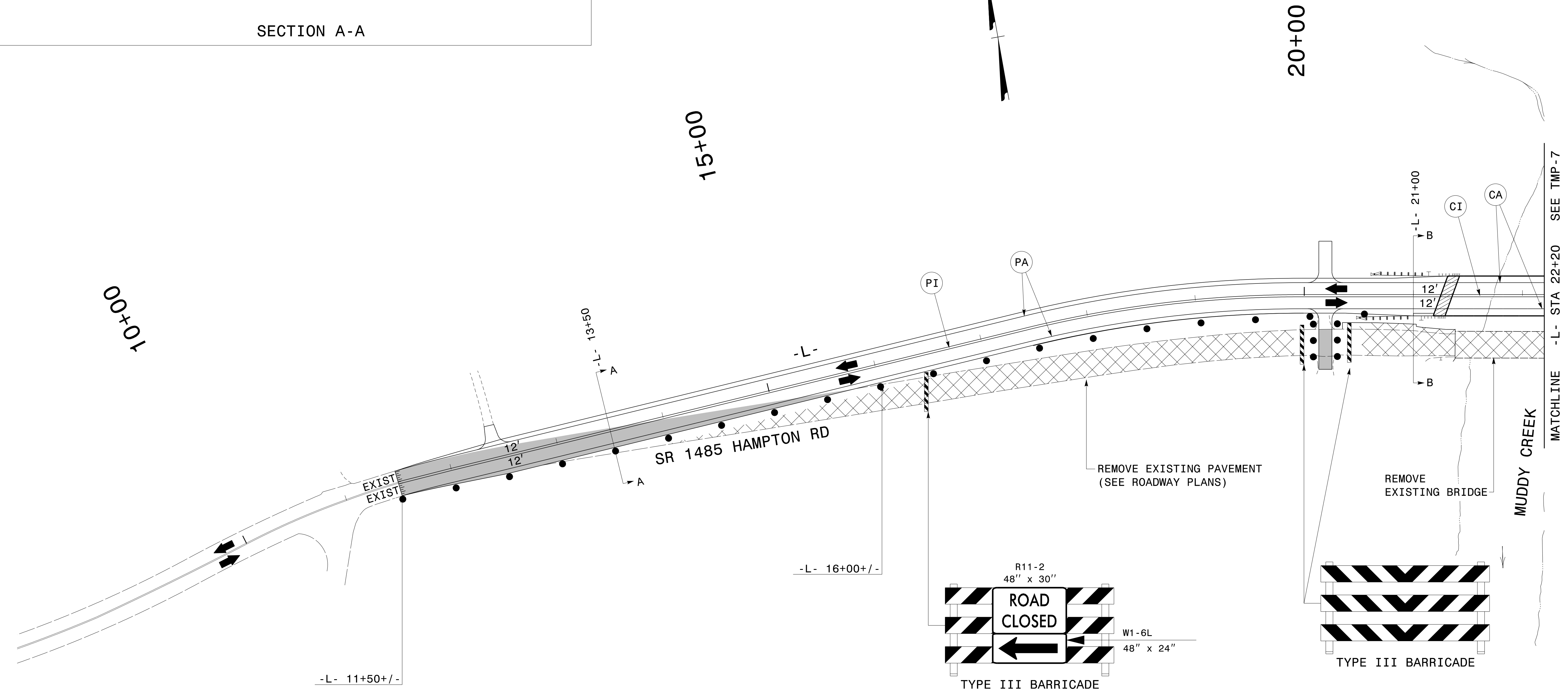
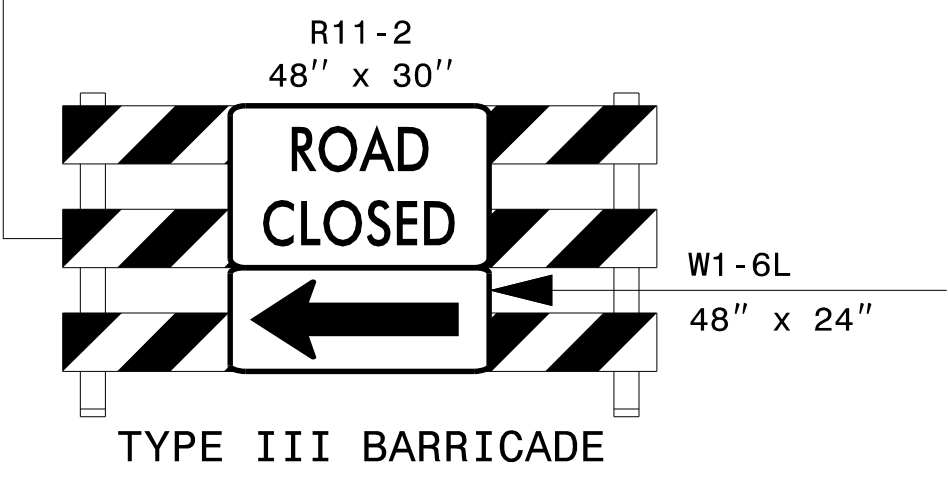


SECTION A-A

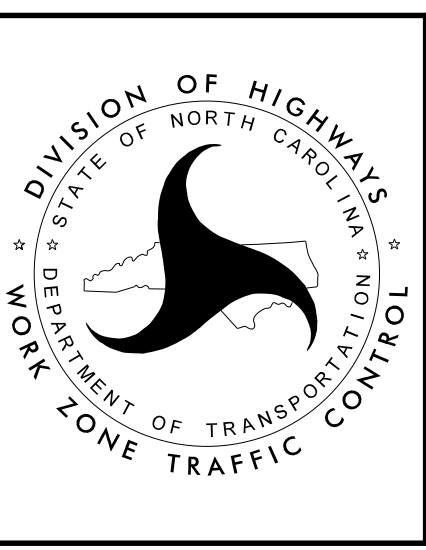


SECTION B-B



APPROVED: *Samuel D. Coleman*
9590BECF4599410...
 DATE: 3/21/2017

**DOCUMENT NOT CONSIDERED FINAL
UNLESS ALL SIGNATURES COMPLETED**



PHASE II

3/20/2017
 R:\TIP\Projects-B\B5165\TrafficControl\CPN\B5165_TC_TMP06.dgn
 User: dertchardson