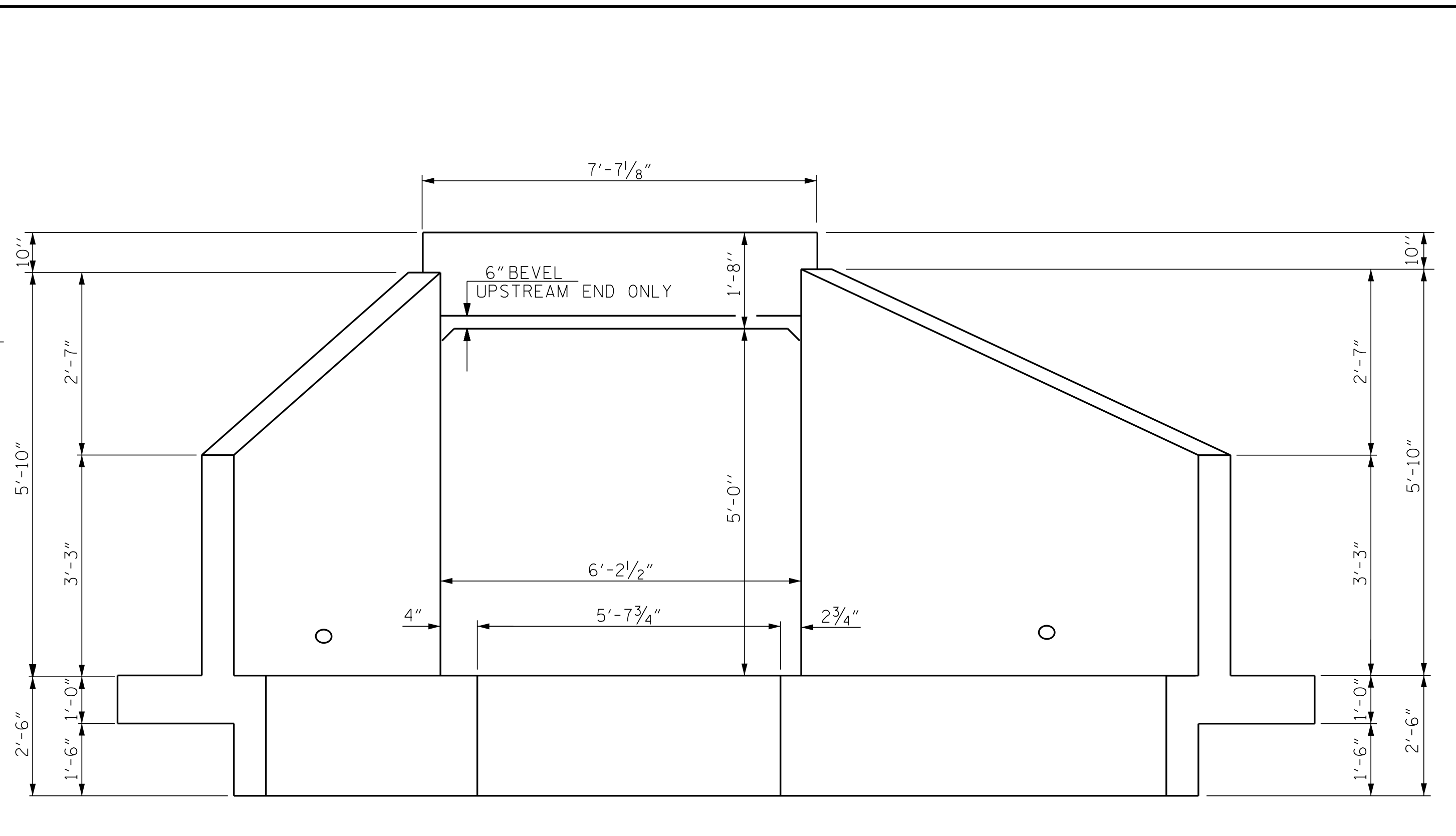
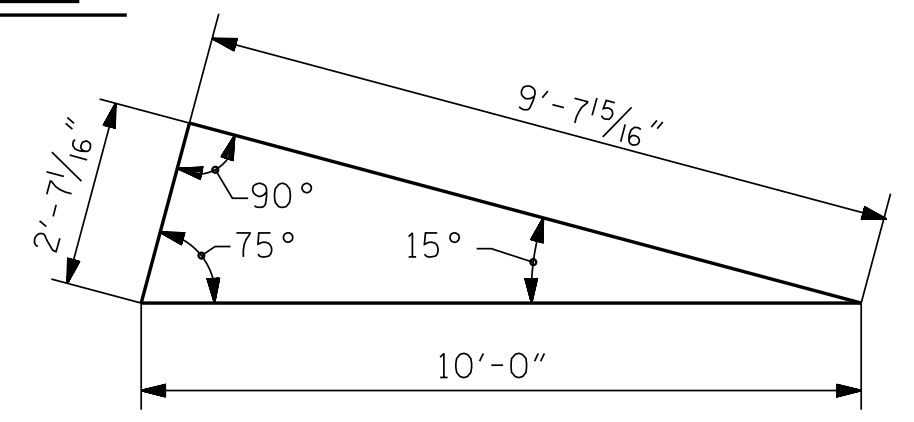


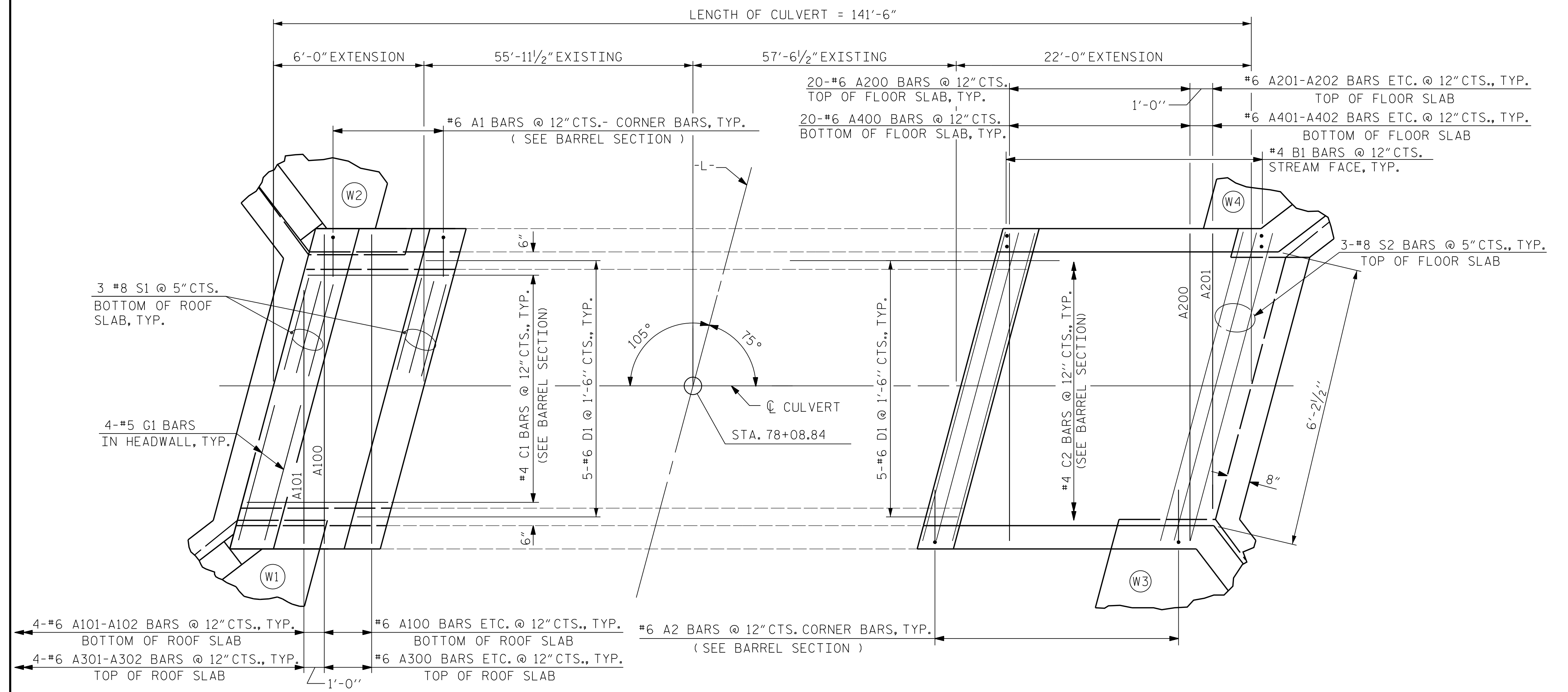
CULVERT SECTION NORMAL TO ROADWAY



END ELEVATION NORMAL TO SKEW



SKEW TRIANGLE



PART PLAN - ROOF SLAB

PART PLAN - FLOOR SLAB

PROJECT NO. R-5516
 CRAVEN COUNTY
 STATION: 78+08.84 -L-
 SHEET 3 OF 7

AECOM
 AECOM TECHNICAL SERVICES, INC.
 701 CORPORATE CENTER DRIVE, SUITE 475
 RALEIGH, NC 27607
 (919) 854-6200 www.aecom.com
 AECOM License No. F-0342

4/12/2017

JOHN C. MORRISON
 NORTH CAROLINA PROFESSIONAL ENGINEER
 SEAL 030474

STATE OF NORTH CAROLINA DEPARTMENT OF TRANSPORTATION RALEIGH					
SINGLE 6FT. X 5FT. CONCRETE BOX CULVERT 75° SKEW					
REVISIONS					
NO.	BY:	DATE:	NO.	BY:	DATE:
1			3		
2			4		
SHEET NO. C1-3					TOTAL SHEETS 7

DRAWN BY : NKB DATE : 03/16
 CHECKED BY : JCM DATE : 03/16
 DESIGN E.O.R. : JCM DATE : 05/16

DOCUMENT NOT CONSIDERED
 FINAL UNLESS ALL
 SIGNATURES COMPLETED

DATE: 4/7/2017 TIME: 2:26:34 PM
 USER: jcm1503c DGN: R:\6329444_Syncum_Road\400_Technical\408_Structure\Culverts\411_015_C1-3_R5516_SML_SEC.dgn