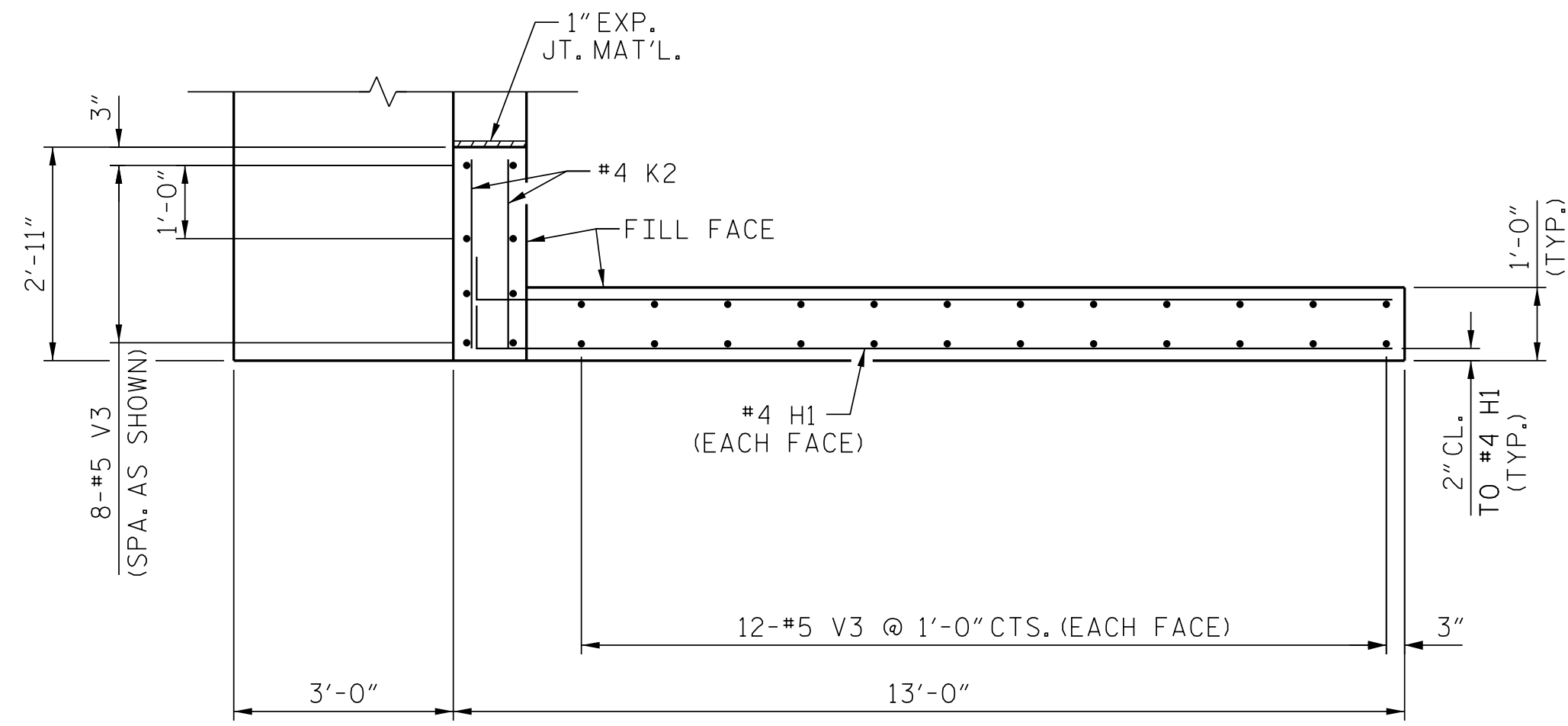
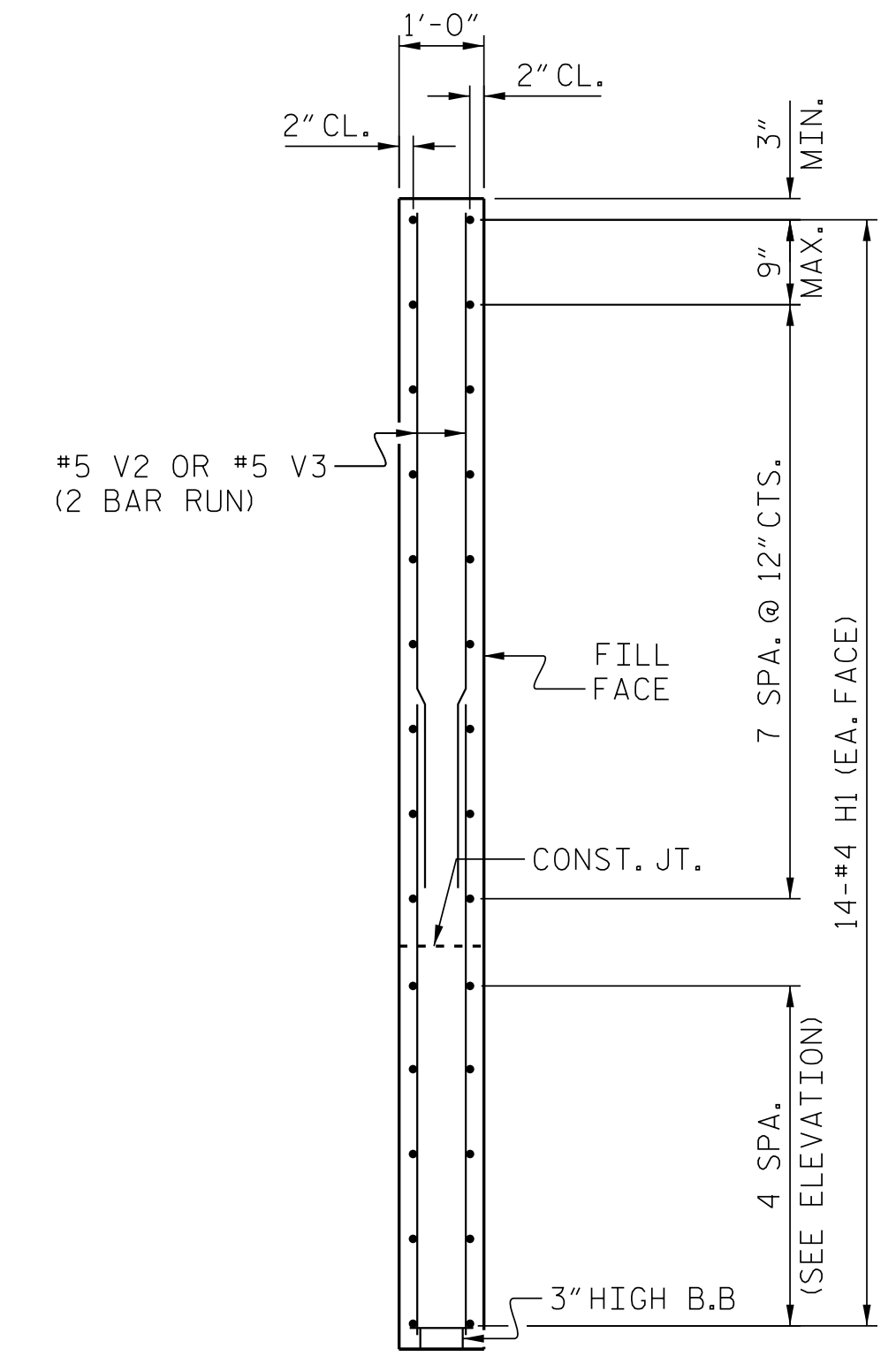


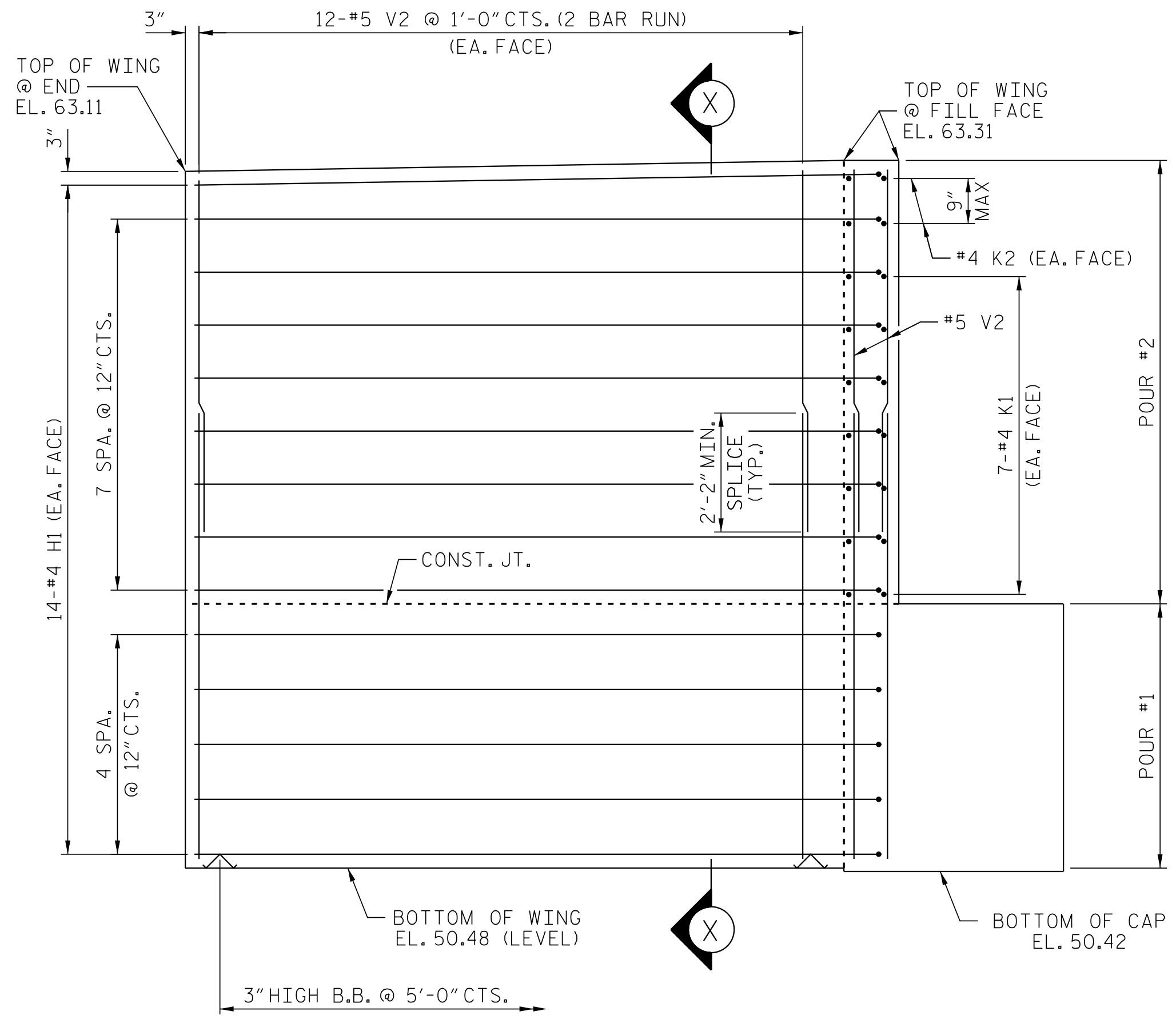
PLAN OF WING (W1)



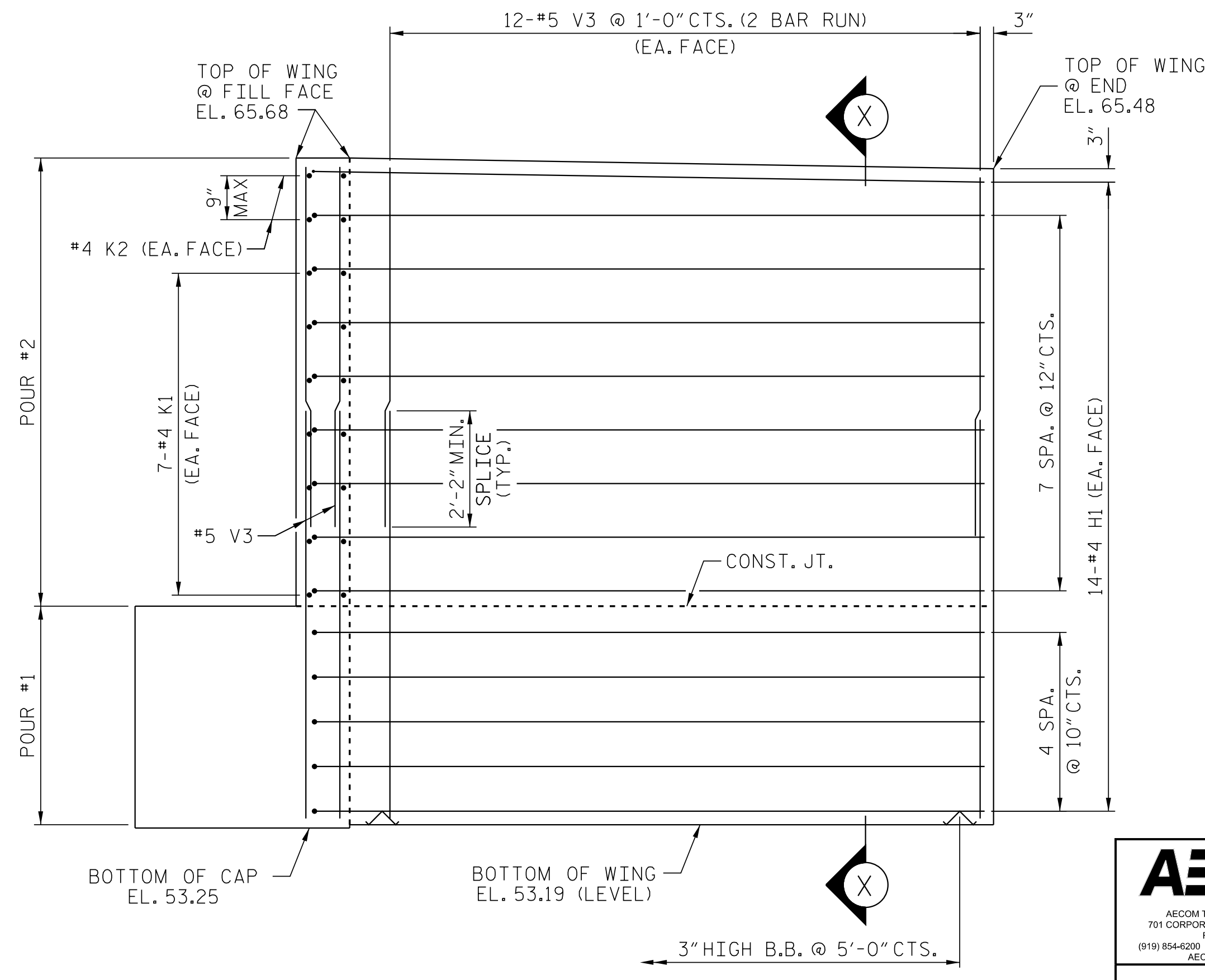
PLAN OF WING (W2)



SECTION X-X

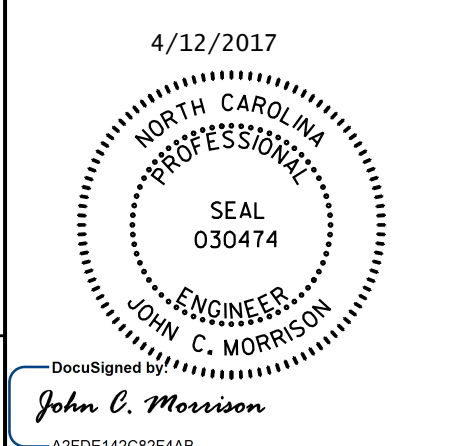


ELEVATION OF WING (W1)



ELEVATION OF WING (W2)

PROJECT NO. R-5516
 CRAVEN COUNTY
 STATION: 32+25.84 -YEB01-
 75+13.29 -L-
 SHEET 2 OF 3



STATE OF NORTH CAROLINA DEPARTMENT OF TRANSPORTATION RALEIGH					
SUBSTRUCTURE					
END BENT 2 SECTIONS & DETAILS					
REVISIONS					
NO.	BY:	DATE:	NO.	BY:	DATE:
1			3		
2			4		
					SHEET NO. S-44
					TOTAL SHEETS 51

DOCUMENT NOT CONSIDERED
 FINAL UNLESS ALL
 SIGNATURES COMPLETED

DATE: 4/12/2017 TIME: 5:46:50 PM
 USER: jcm15935 DocuSign Room400_Technical\408_Structure\Code\401_220_S44_R5516_SMULEB202.dgn
 DN: #6032444, Sincum

DRAWN BY : MKT DATE : 03/16
 CHECKED BY : JCM DATE : 03/16
 DESIGN E.O.R. : JCM DATE : 03/16