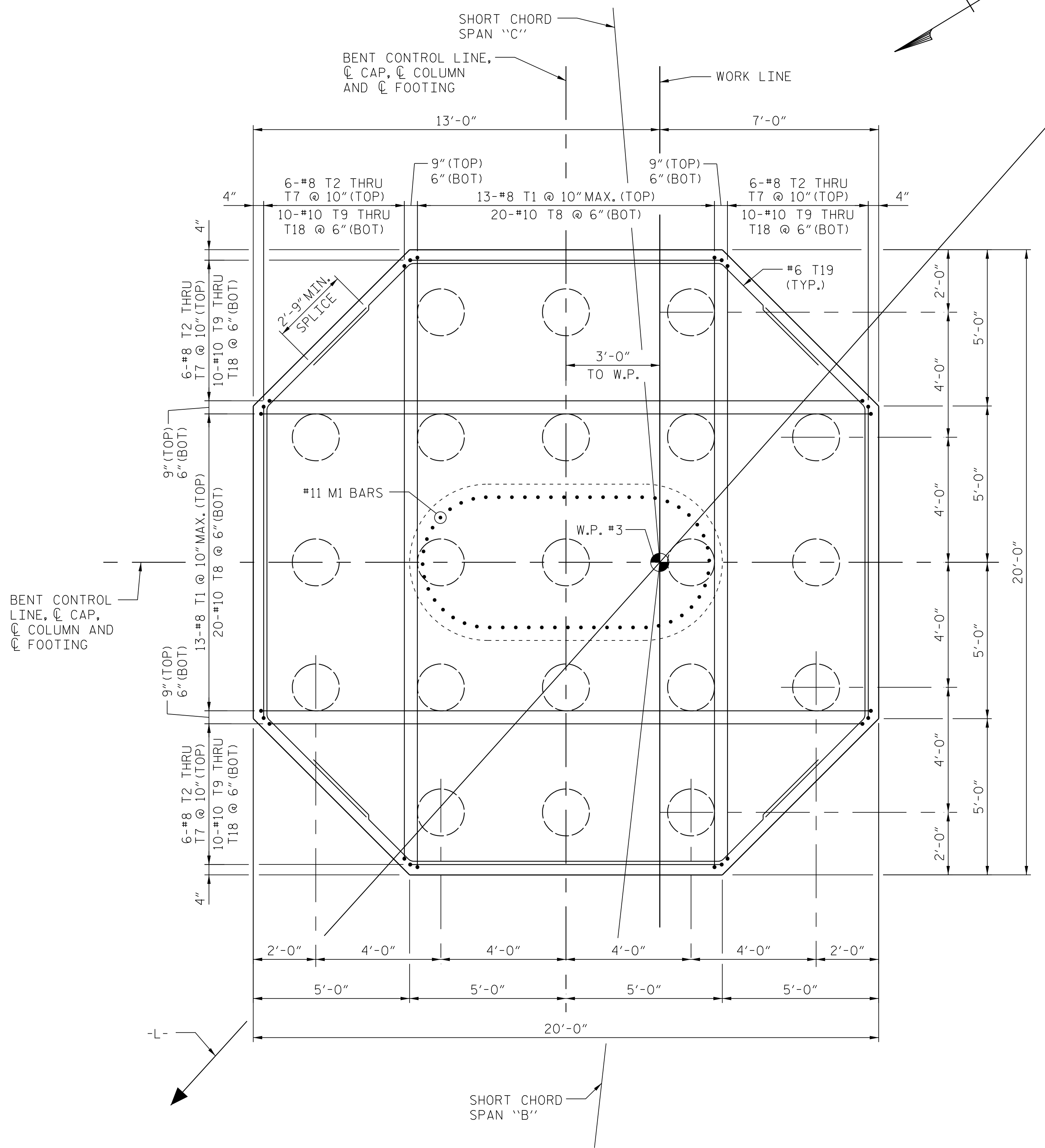


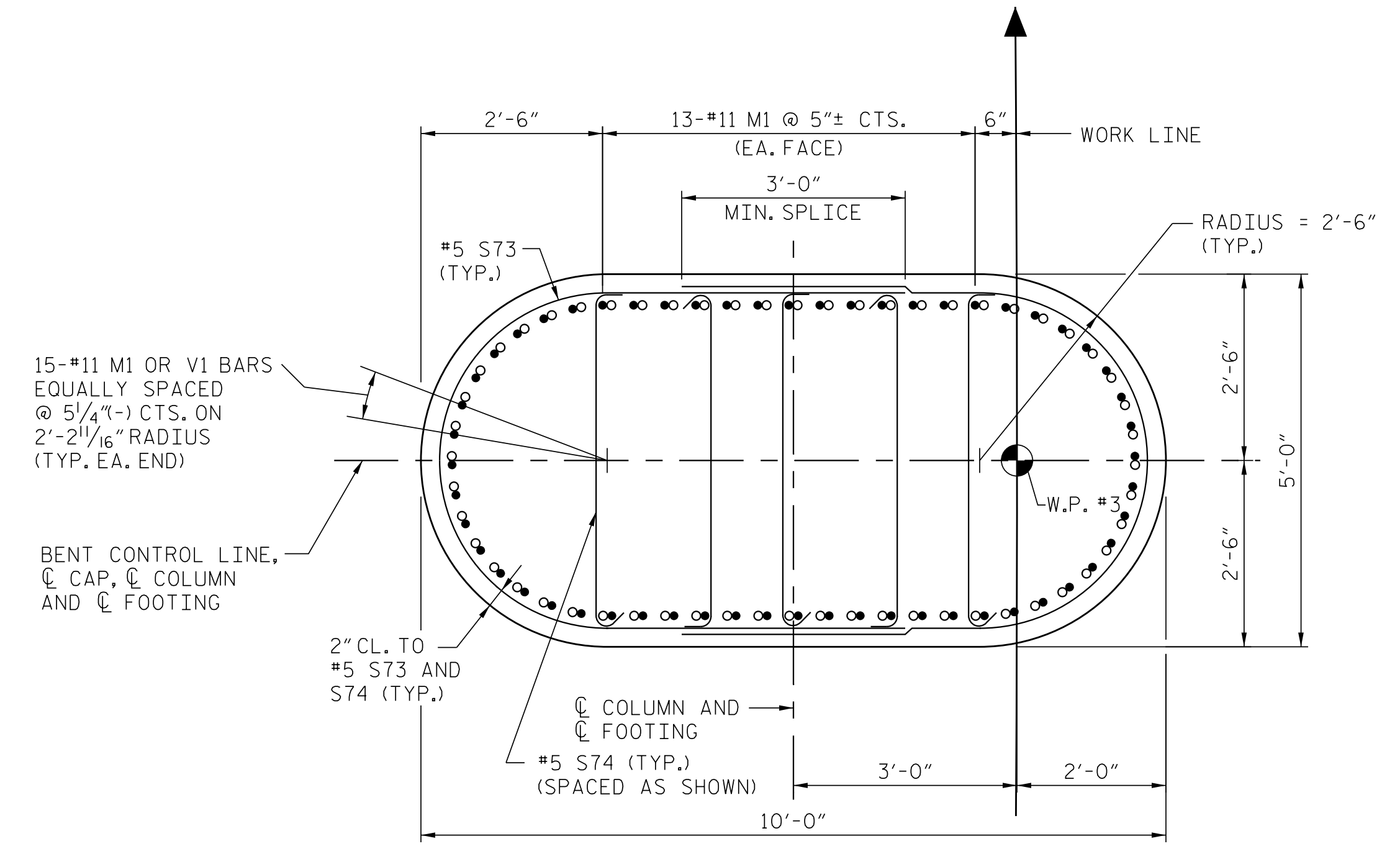
DATE: 4/12/2017
TIME: 5:24:40 PM

USER: Proj1593
DGN: R:\6329444_5\ncsm_Road\400_Technical\408_Structure\Cada\401_205_S41_R5516_S1U_B202.dgn



FOOTING PLAN

DRAWN BY : SGS DATE : 2/16
CHECKED BY : JCM DATE : 2/16
DESIGN E.O.R. : JCM DATE : 2/16



SECTION A-A

● = M1 BAR
○ = V1 BAR

PROJECT NO. R-5516
CRAVEN COUNTY
STATION: 32+25.84 -YEB01-
75+13.29 -L-
SHEET 2 OF 3

AECOM
AECOM TECHNICAL SERVICES, INC.
701 CORPORATE CENTER DRIVE, SUITE 475
RALEIGH, NC 27607
(919) 854-6200 www.aecom.com
AECOM License No. F-0342

4/12/2017
NORTH CAROLINA
PROFESSIONAL
SEAL
030474
ENGINEER
JOHN C. MORRISON

DocuSigned by
John C. Morrison
A2FDE142C82F4A8

STATE OF NORTH CAROLINA DEPARTMENT OF TRANSPORTATION RALEIGH					
SUBSTRUCTURE					
BENT 2 SECTIONS AND DETAILS					
REVISIONS					
NO.	BY:	DATE:	NO.	BY:	DATE:
1			3		
2			4		
SHEET NO. S-41					TOTAL SHEETS 51

DOCUMENT NOT CONSIDERED
FINAL UNLESS ALL
SIGNATURES COMPLETED