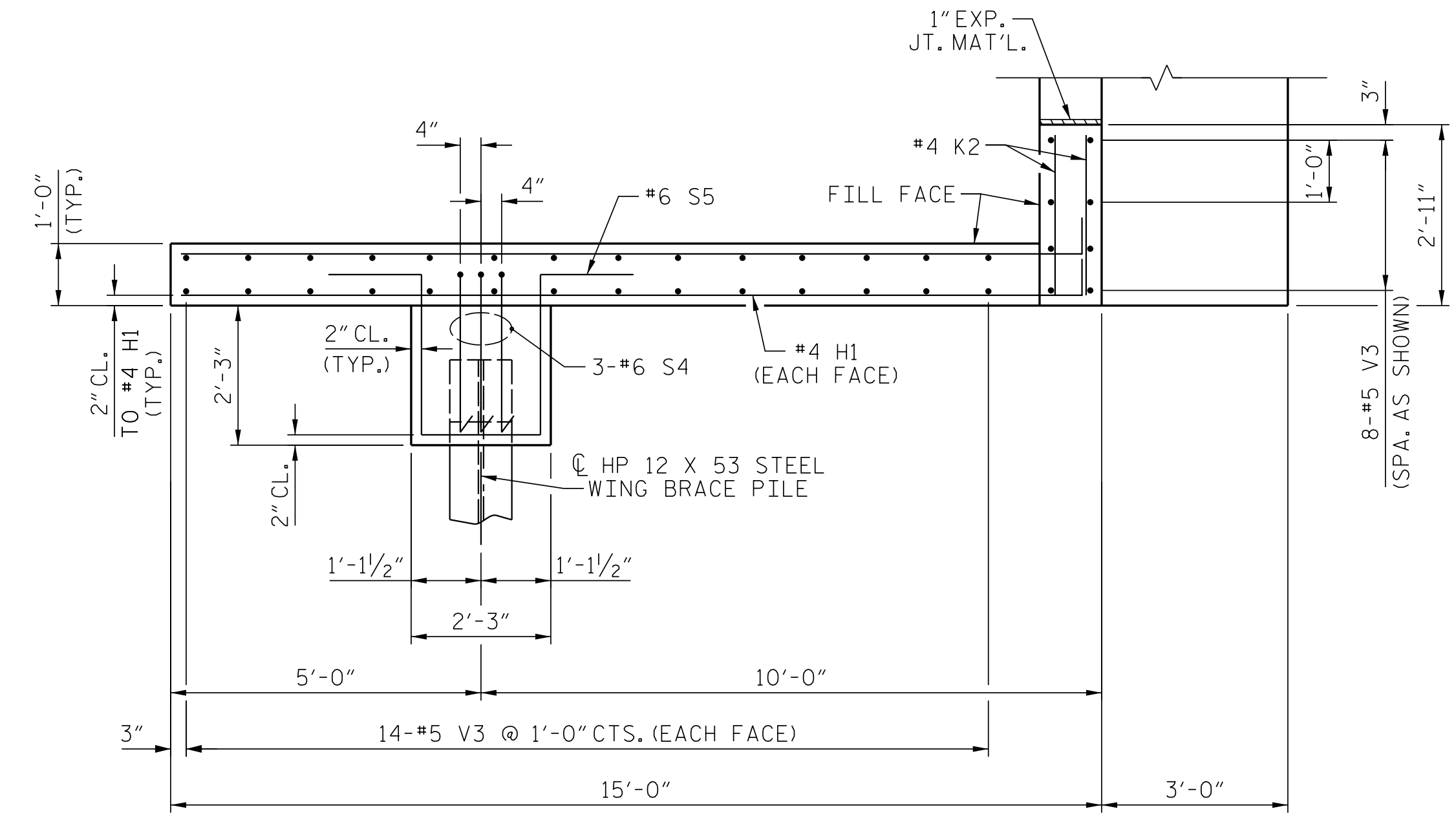
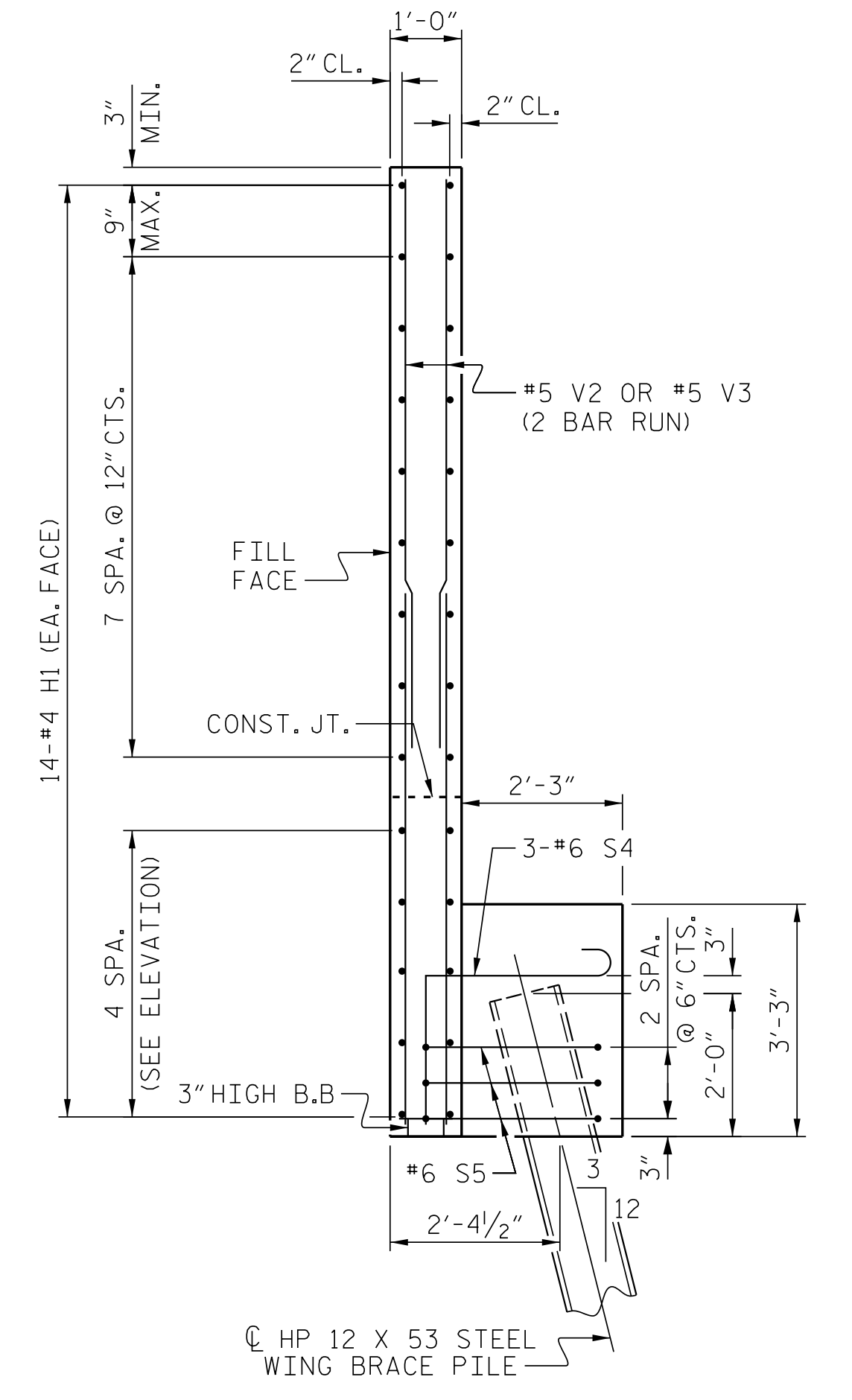


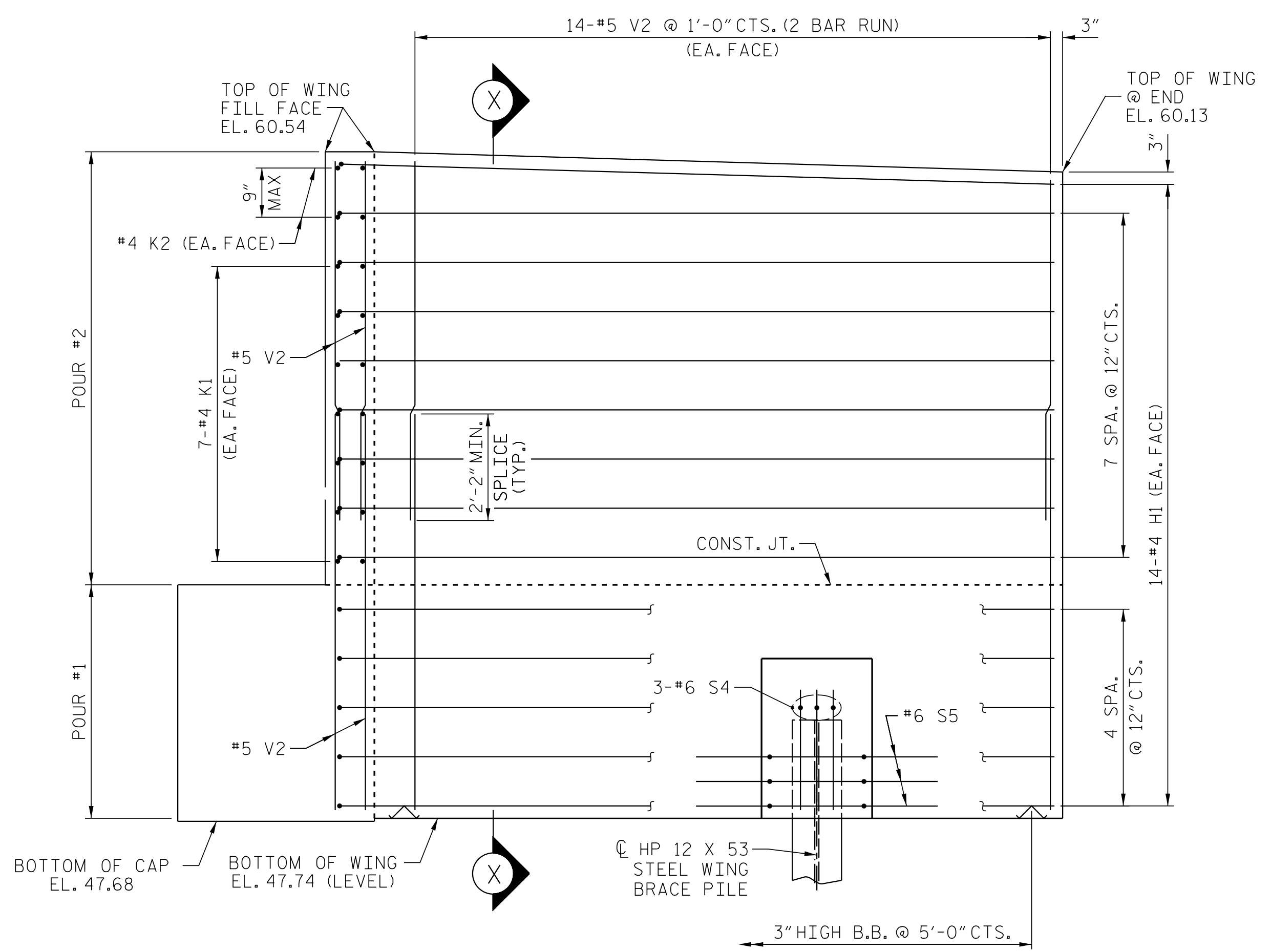
PLAN OF WING (W1)



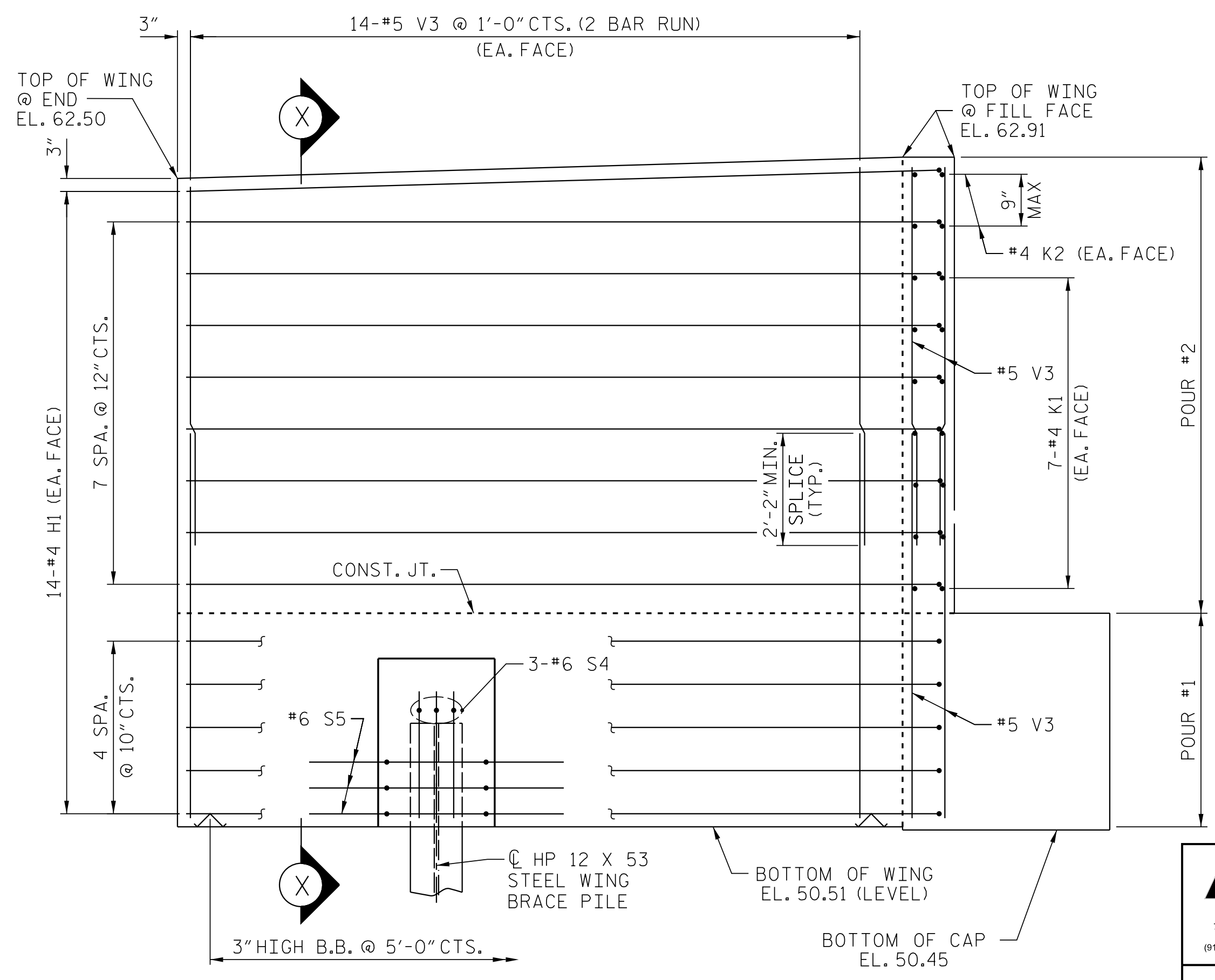
PLAN OF WING (W2)



SECTION X-X

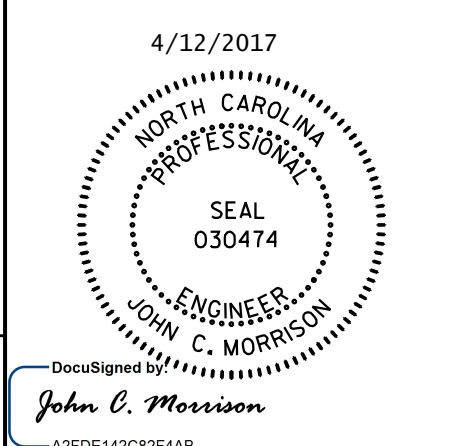


ELEVATION OF WING (W1)



ELEVATION OF WING (W2)

PROJECT NO. R-5516
 CRAVEN COUNTY
 STATION: 32+25.84 -YEB01-
 75+13.29 -L-
 SHEET 2 OF 3



STATE OF NORTH CAROLINA
 DEPARTMENT OF TRANSPORTATION
 RALEIGH
 SUBSTRUCTURE

END BENT 1
 SECTIONS & DETAILS

DRAWN BY: MKT DATE: 03/16
 CHECKED BY: JCM DATE: 03/16
 DESIGN E.O.R.: JCM DATE: 03/16

DOCUMENT NOT CONSIDERED
 FINAL UNLESS ALL
 SIGNATURES COMPLETED

REVISIONS						SHEET NO.
NO.	BY:	DATE:	NO.	BY:	DATE:	TOTAL SHEETS
1			3			51
2			4			

DATE: 4/12/2017 TIME: 5:25:40 PM
 USER: jcm15030444_Sincum Road\400_Technical\408_Structure\Craven\40175_535_R5516-SM\LEB02.dgn
 DGN: R5516\40175_535_R5516-SM\LEB02.dgn