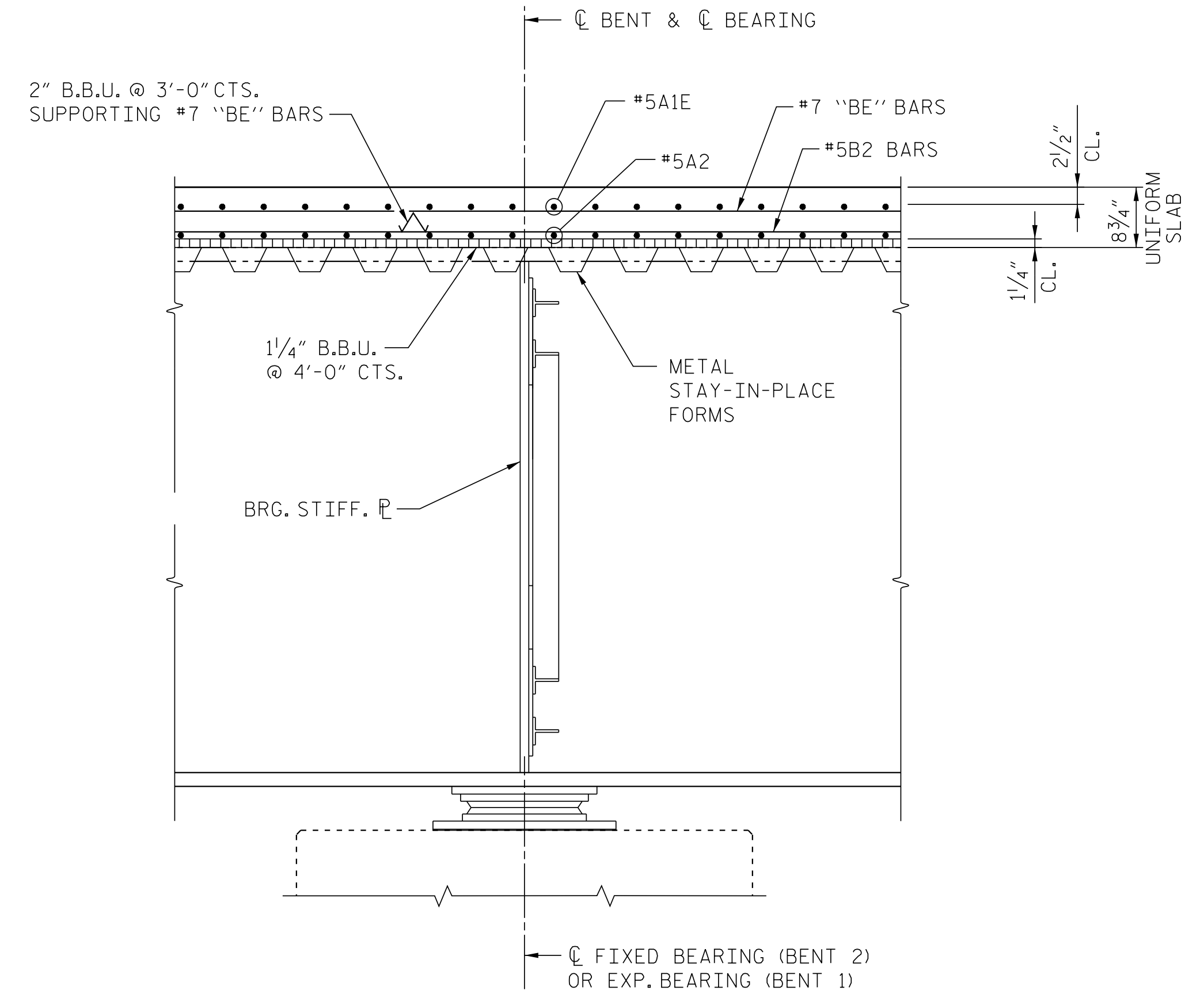
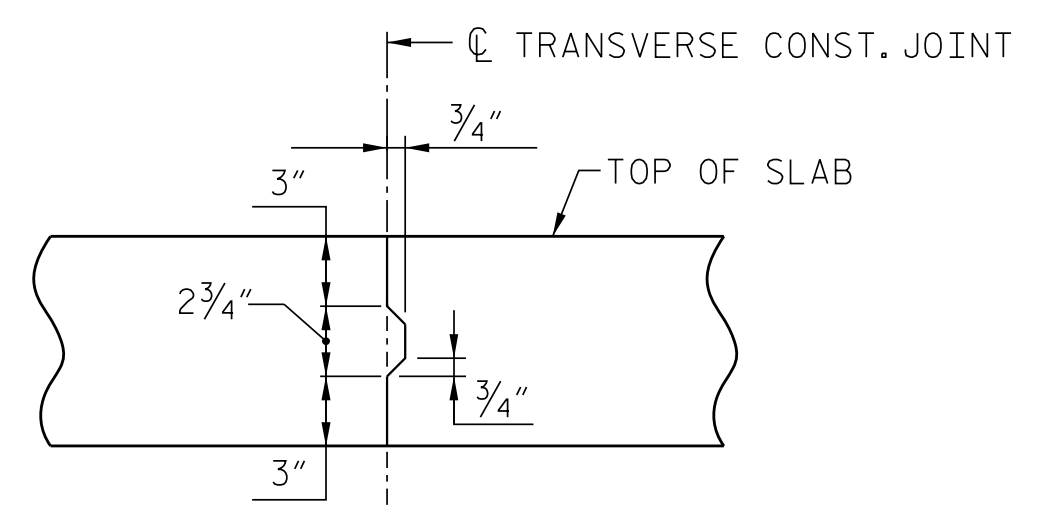


SECTION AT END BENT



SECTION AT BENT



TRANSVERSE CONSTRUCTION JOINT IN DECK SLAB

NOTE: REINFORCING STEEL IN SLAB NOT SHOWN FOR CLARITY. LONGITUDINAL REINFORCING STEEL SHALL BE CONTINUOUS THRU JOINT.

PROJECT NO. R-5516
CRAVEN COUNTY
 STATION: 32+25.84 -YEB01-
75+13.29 -L-
 SHEET 2 OF 2

AECOM
AECOM TECHNICAL SERVICES, INC.
 701 CORPORATE CENTER DRIVE, SUITE 475
 RALEIGH, NC 27607
 (919) 854-6200 www.aecom.com
 AECOM License No. F-0342

4/12/2017
 NORTH CAROLINA
 PROFESSIONAL
 SEAL
 030474
 ENGINEER
 JOHN C. MORRISON

STATE OF NORTH CAROLINA
 DEPARTMENT OF TRANSPORTATION
 RALEIGH

SUPERSTRUCTURE

TYPICAL SECTION AND DETAILS

REVISIONS						SHEET NO.
NO.	BY:	DATE:	NO.	BY:	DATE:	TOTAL SHEETS
1			3			51
2			4			

DRAWN BY : S. G. STREDNAK DATE : 09/15
 CHECKED BY : J. C. MORRISON DATE : 10/15
 DESIGN E.O.R. : J. C. MORRISON DATE : 05/16

DOCUMENT NOT CONSIDERED
 FINAL UNLESS ALL
 SIGNATURES COMPLETED

DATE: 4/12/2017 TIME: 2:49:26 PM
 USER: jmorriso Room:400_Technical\408_Structure\Cadd\401_050_1510_0516_SML_T502.dgn
 DGN: R:\6329444_5\room_Room:400_Technical\408_Structure\Cadd\401_050_1510_0516_SML_T502.dgn