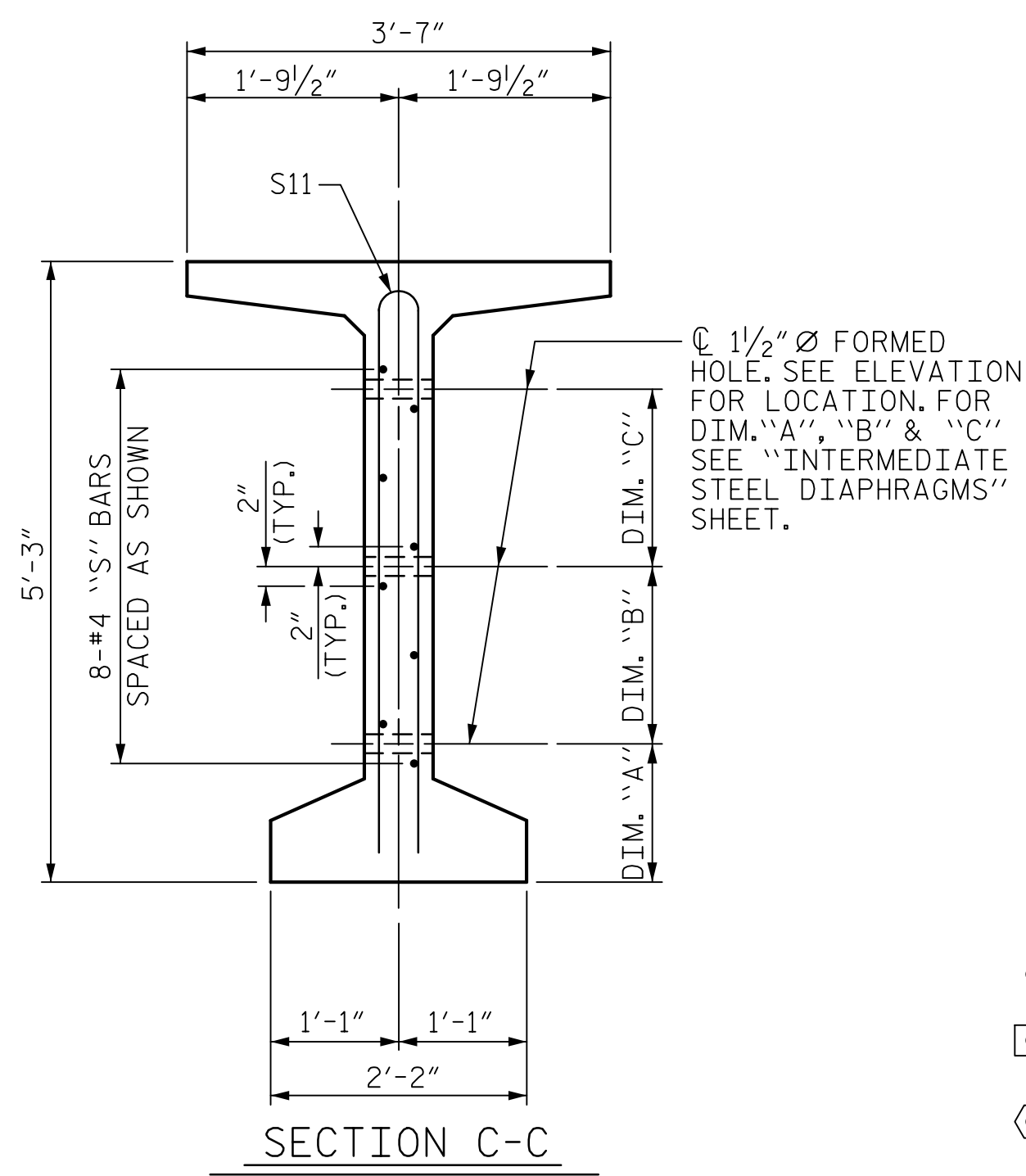


SECTION A-A

\*FOR S7 BARS, SEE  
DETAIL "C" OF  
PRESTRESSED  
CONCRETE GIRDER  
DETAILS SHEET



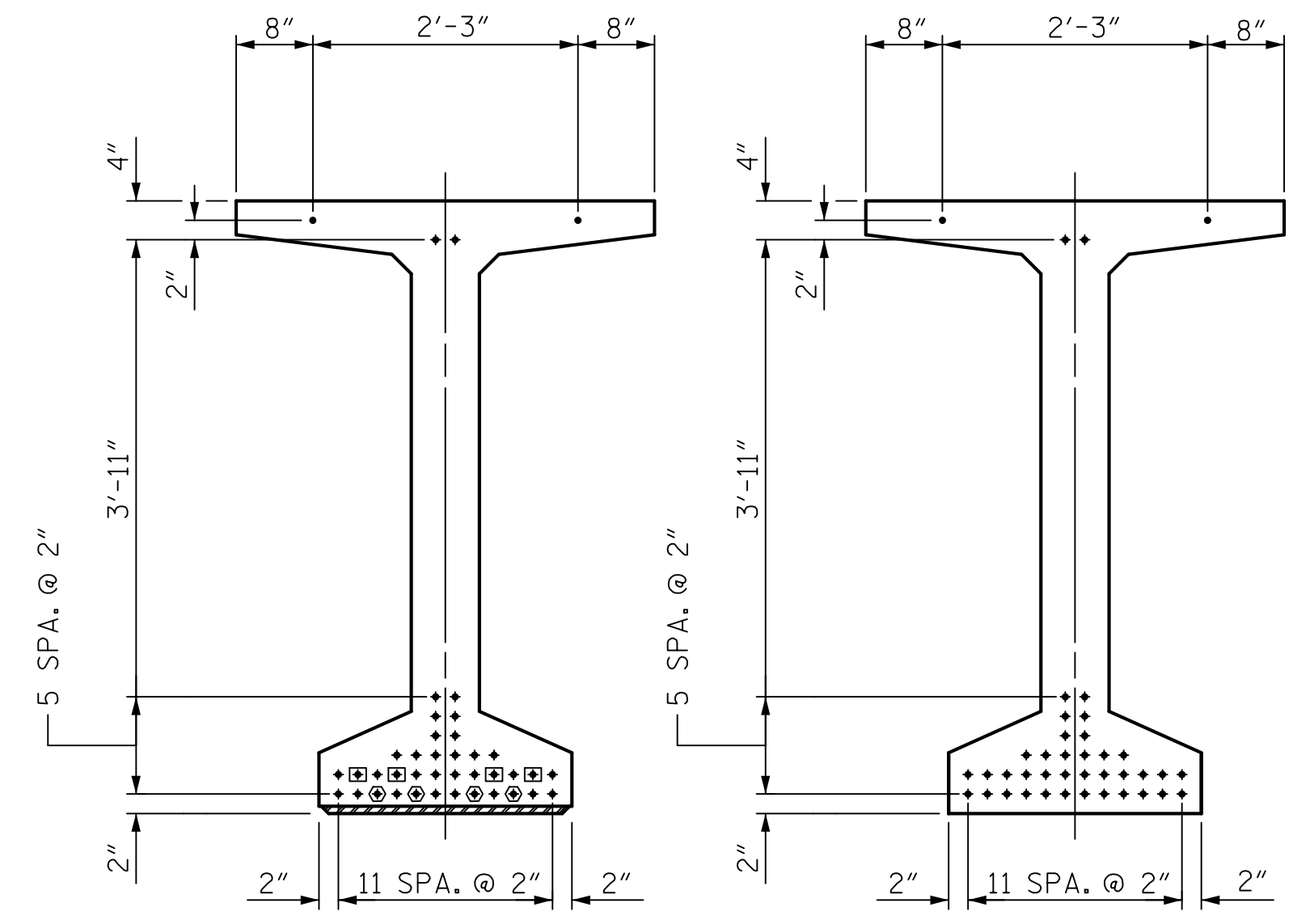
SECTION C-C

(S1, S6 AND S9 BARS NOT SHOWN)

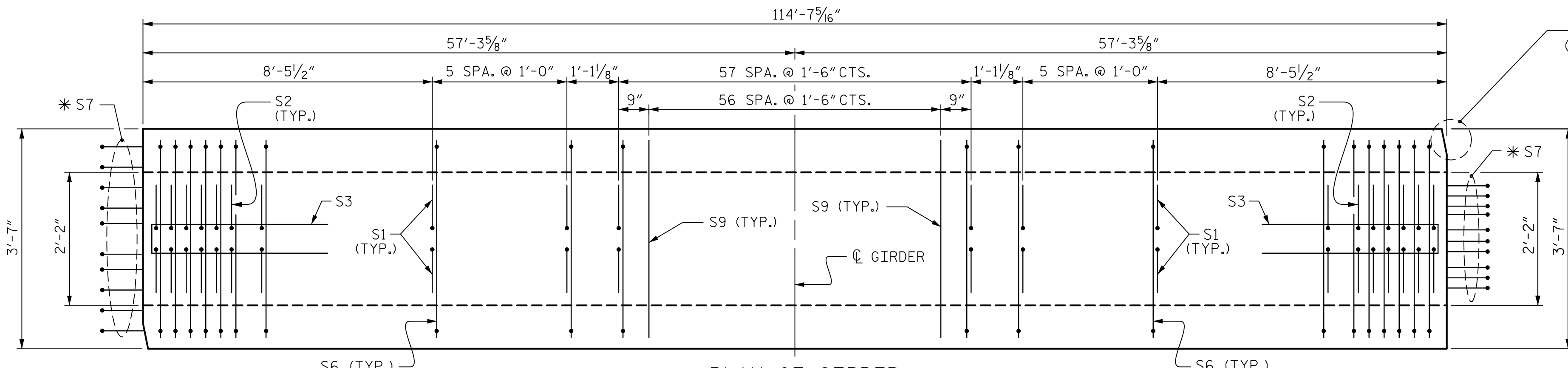
1/2" Ø FORMED  
HOLE. SEE ELEVATION  
FOR LOCATION. FOR  
DIM. "A", "B" & "C"  
SEE "INTERMEDIATE  
STEEL DIAPHRAGMS"  
SHEET.

DEBONDING LEGEND

- FULLY BONDED STRANDS
- ◻ STRANDS DEBONDED FOR 6'-0" FROM END OF GIRDER
- ◐ STRANDS DEBONDED FOR 22'-0" FROM END OF GIRDER

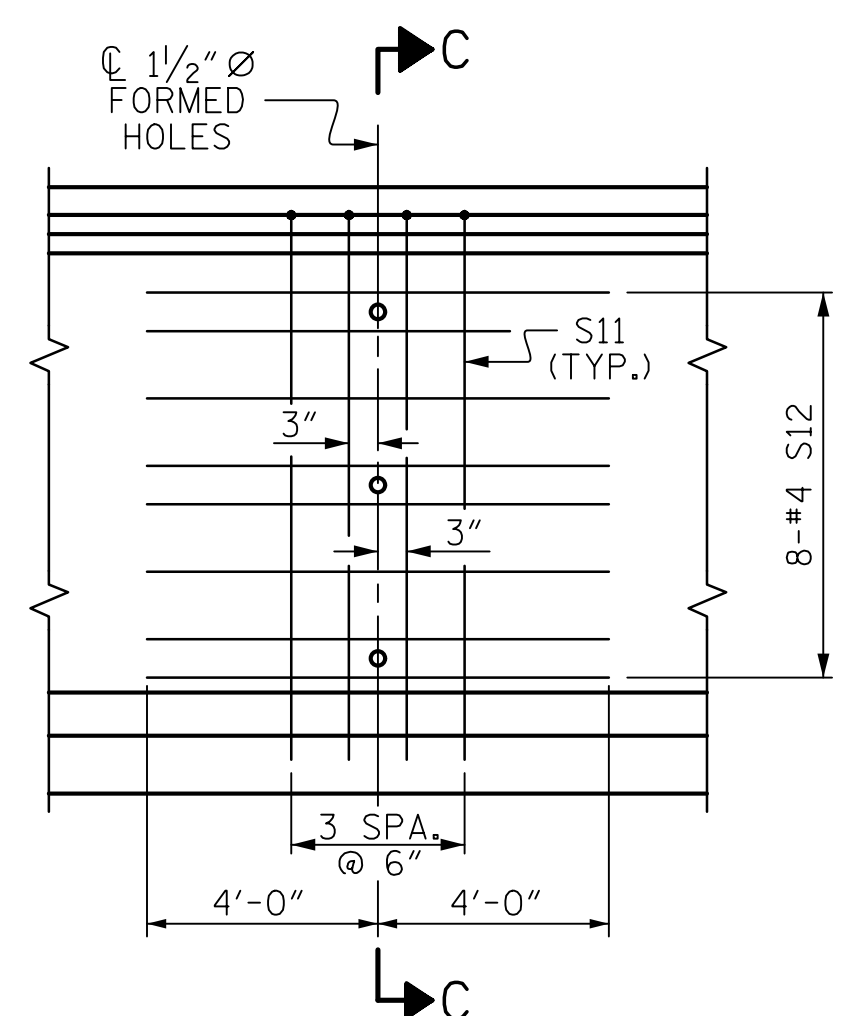


AT END OF GIRDER AT C OF GIRDER  
0.6" Ø LOW RELAXATION STRAND LAYOUT

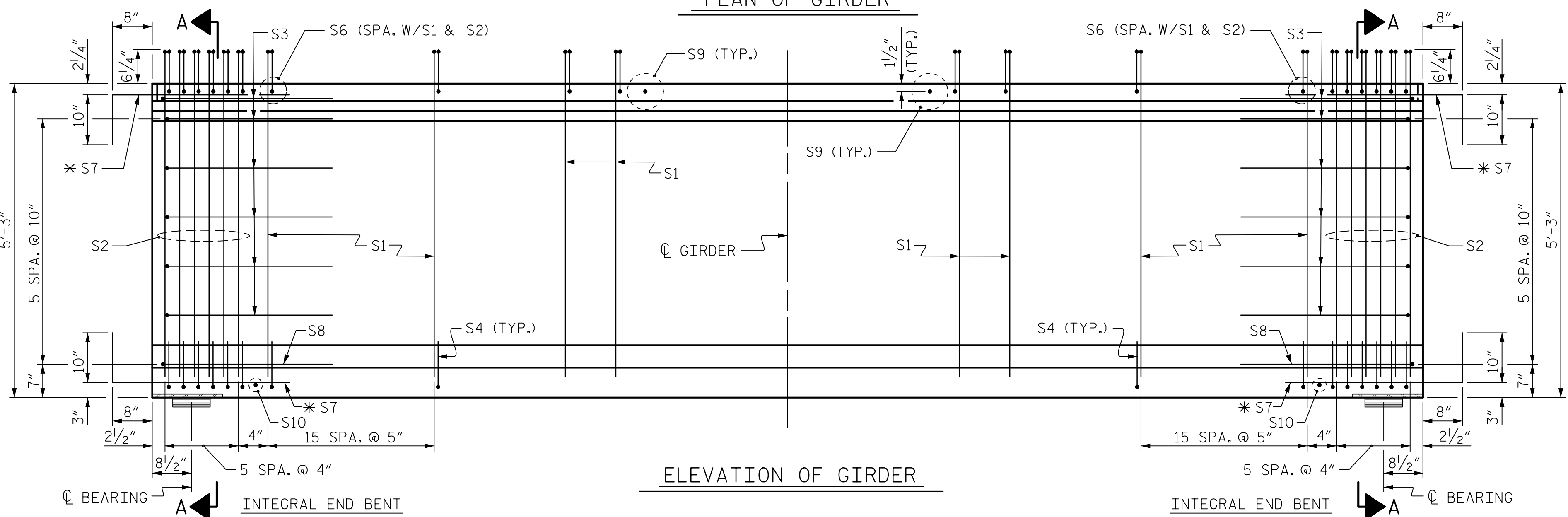


PLAN OF GIRDER

CLIP IN TOP FLANGE  
(TYP. EA. END) SEE DETAIL  
"D" OF PRESTRESSED  
CONCRETE GIRDER  
DETAILS SHEET



PARTIAL ELEVATION  
SHOWING INTERMEDIATE STEEL DIAPHRAGM  
REINFORCING STEEL FOR GIRDER Nos. 1-5



ELEVATION OF GIRDER

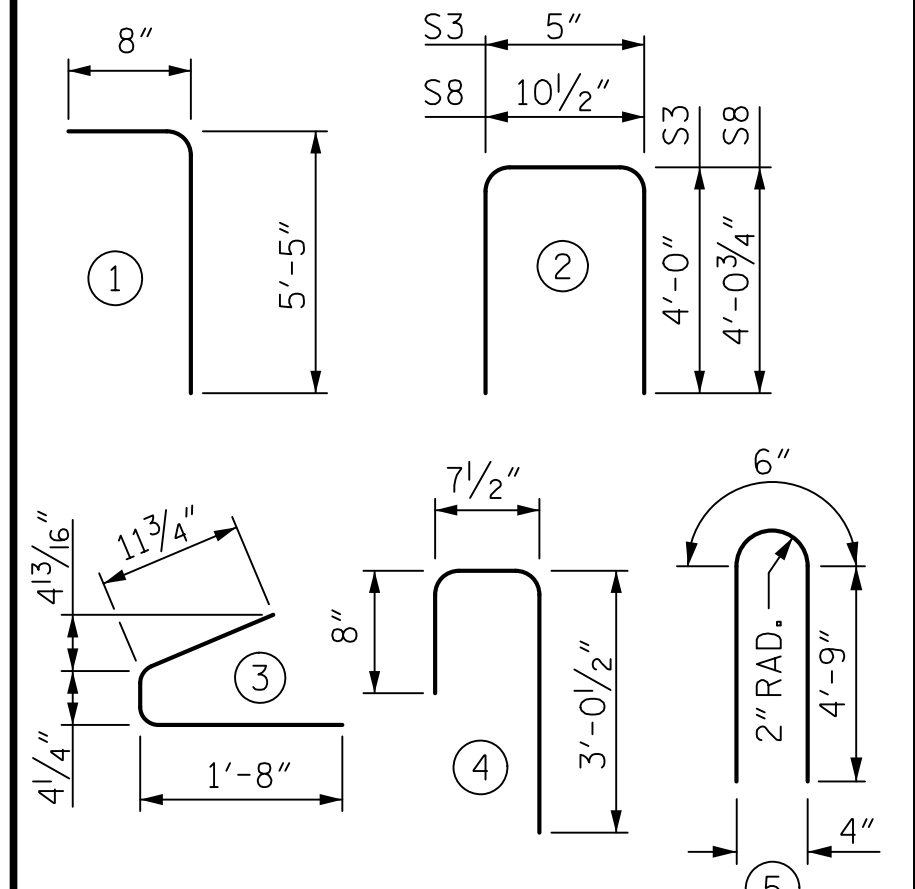
0.6" Ø L. R. GRADE 270 STRANDS		
AREA (SQUARE INCHES)	ULTIMATE STRENGTH (LBS. PER STRAND)	APPLIED PRESTRESS (LBS. PER STRAND)
0.217	58,600	43,950

REINFORCING STEEL FOR ONE GIRDER

BAR	NUMBER	SIZE	TYPE	LENGTH	WEIGHT
S1	200	#4	1	6'-1"	813
S2	24	#6	1	6'-1"	219
S3	12	#4	2	8'-5"	67
S4	88	#4	3	3'-0"	176
S6	224	#5	4	4'-4"	1012
*S7	40	#5	STR	3'-8"	153
S8	2	#5	2	9'-0"	19
S9	57	#5	STR	3'-3"	193
S10	2	#3	STR	1'-10"	1
S11	8	#5	5	10'-0"	83
S12	16	#4	STR	8'-0"	86

\*NOTE: S7 BARS SHALL BE BENT BEFORE SHIPMENT. HEAT BENDING SHALL NOT BE ALLOWED.

BAR TYPES



ALL BAR DIMENSIONS ARE OUT-TO-OUT

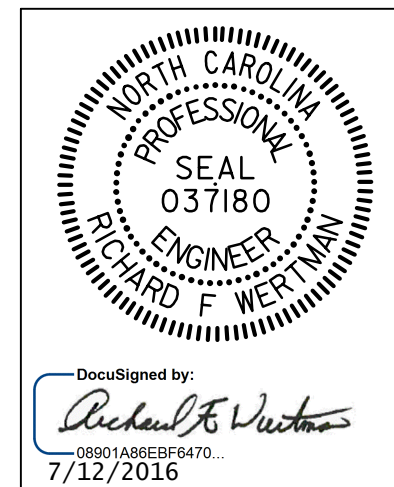
QUANTITIES FOR ONE GIRDER

	REINFORCING STEEL	8000 PSI CONCRETE	0.6" Ø L.R. STRANDS
	LB.	C.Y.	No.
EXTERIOR GIRDER	2822	22.7	40
INTERIOR GIRDER	2822	22.7	40

GIRDERS REQUIRED

NUMBER	LENGTH	TOTAL LENGTH
5	114'-7 5/8"	573'-0 1/2"

PROJECT NO. B-4447  
BURKE COUNTY  
STATION: 25+85.40 -L-  
15+67.23 -Y-  
SHEET 1 OF 2



STATE OF NORTH CAROLINA  
DEPARTMENT OF TRANSPORTATION  
RALEIGH  
STANDARD  
63" PRESTRESSED CONCRETE  
MODIFIED BULB TEE  
SPAN A  
EASTBOUND LANE

ASSEMBLED BY: T.J. KIRSCHBAUM DATE: 10/9/15  
CHECKED BY: R.F. WERTMAN DATE: 3/23/16  
DRAWN BY: EEM 2/6/97 REV. 10/1/11 MAA/GM  
CHECKED BY: VAP 2/6/97 REV. 6/13 MAA/GM  
REV. 1/15 MAA/TMG

PLANS PREPARED BY:  
**Gannett Fleming**  
2610 Wycliff Road  
Suite 102  
Raleigh, NC 27607-3073  
(919) 420-7660  
INC Lic. No. F-0270

THESE PLANS HAVE BEEN PROPERLY EXAMINED BY THE UNDERSIGNED. I HAVE DETERMINED THAT THEY COMPLY WITH EXISTING NORTH CAROLINA CODES, AND HAVE BEEN PROPERLY ADAPTED FOR USE IN THIS AREA.

DOCUMENT NOT CONSIDERED FINAL UNLESS ALL SIGNATURES COMPLETED

REVISIONS						SHEET NO. S02-10
NO.	BY:	DATE:	NO.	BY:	DATE:	
1			3			TOTAL SHEETS 28
2			4			