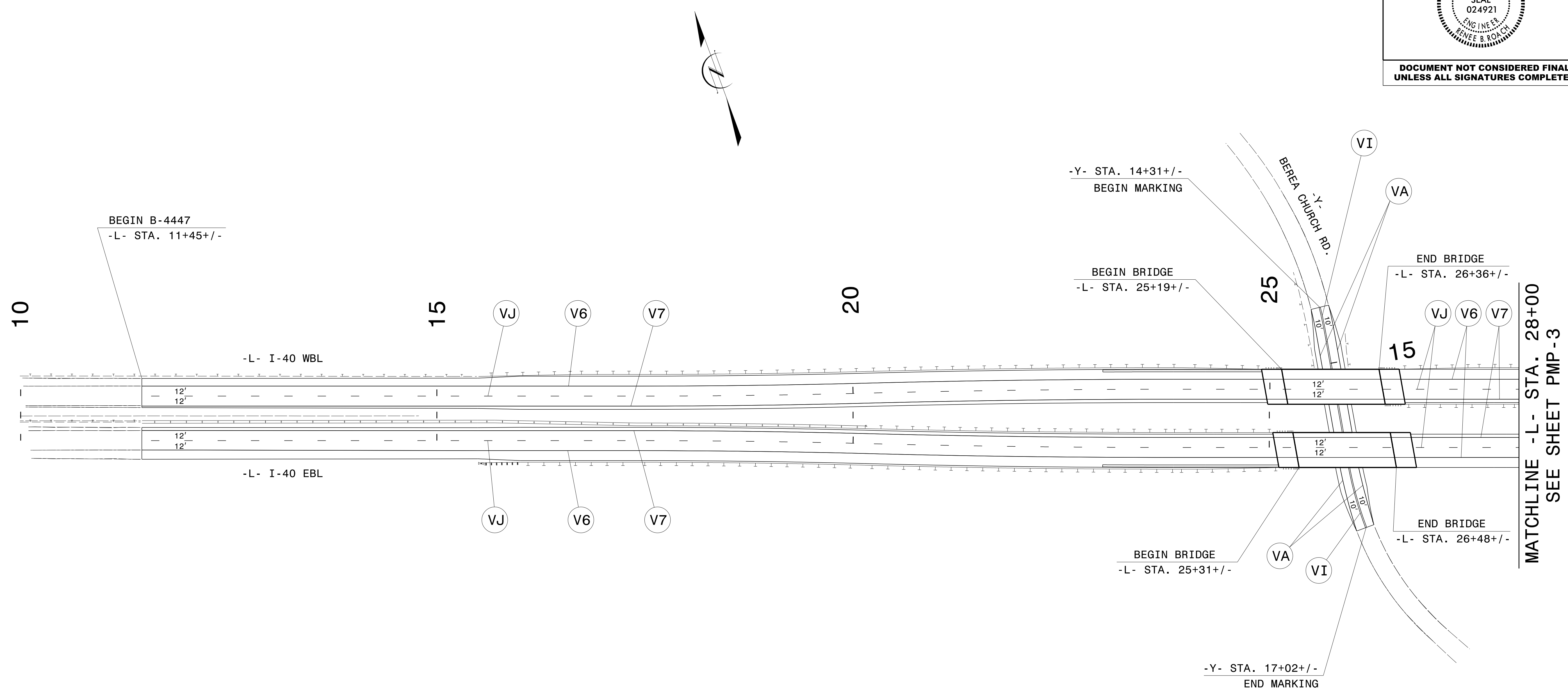


TIP NO.	SHEET NO.
B-4447	PMP-2
APPROVED: <i>Walter Roach</i>	
DATE: 3/13/2017	
SEAL	
DOCUMENT NOT CONSIDERED FINAL UNLESS ALL SIGNATURES COMPLETED	



PAVEMENT MARKING DETAIL

3/13/2017
 P:\Projects\B-4447\Traffic\Signing\CADD\PM\B-4447_PMP-2.dgn
 User:dhbearc