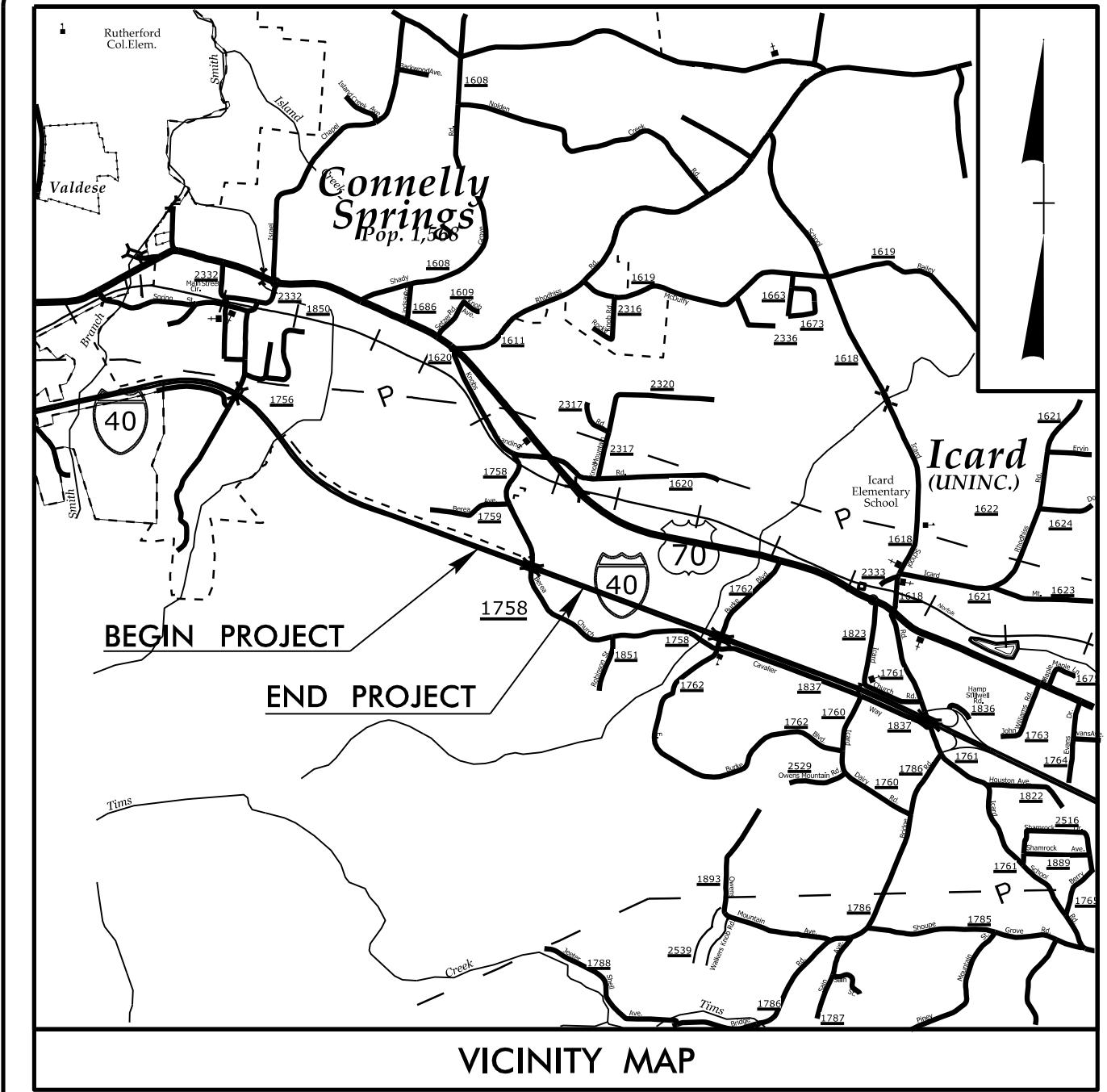


09/08/199
T.I.P PROJECT: B-4447



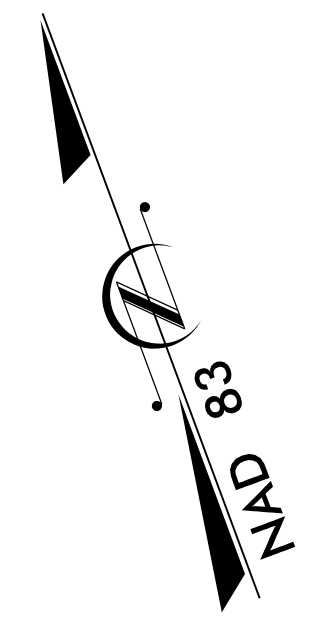
See Sheet 1A For Index of Sheets
See Sheet 1B For Conventional Symbols

STATE OF NORTH CAROLINA
DIVISION OF HIGHWAYS
BURKE COUNTY

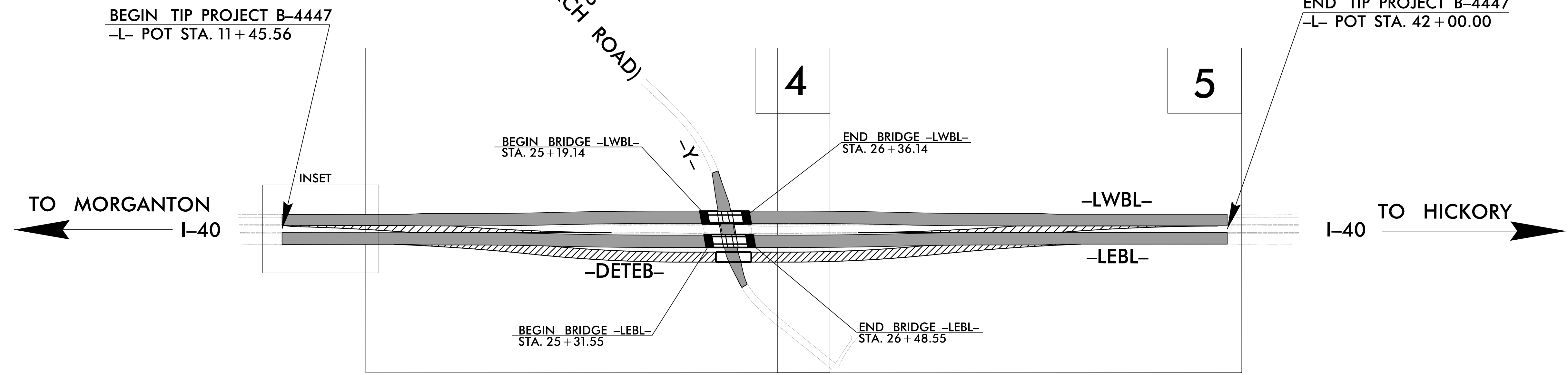
LOCATION: BRIDGE NOS. 160 & 162 ON I-40 OVER SR 1758
(BEREA CHURCH ROAD)

TYPE OF WORK: GRADING, DRAINAGE, PAVING, CULVERT, AND STRUCTURES

STATE	STATE PROJECT REFERENCE NO.	SHEET NO.	TOTAL SHEETS
N.C.	B-4447	1	
STATE PROJ. NO.	F.A. PROJ. NO.	DESCRIPTION	
38371.1.1	BRNHS-40-1(159)115	PE	
38371.2.1		ROW	
38371.2.2		UTILITY	
38371.3.1		CONSTRUCTION	

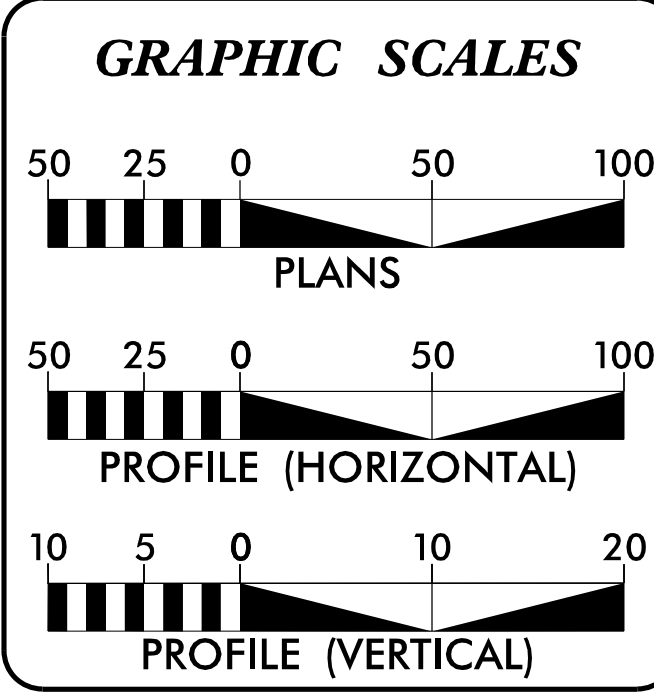


CONTRACT: C203935



THIS IS A CONTROLLED ACCESS PROJECT WITH ACCESS BEING LIMITED TO INTERCHANGES.

DOCUMENT NOT CONSIDERED FINAL
UNLESS ALL SIGNATURES COMPLETED



DESIGN DATA

2017 ADT = 47,075
2037 ADT = 56,230
K = 55%
D = 9%
T = 15% *
V = 70 MPH
*(TTST 10% + DUAL 5%)
FUNC. CLASS. = INTERSTATE
STATEWIDE TIER

PROJECT LENGTH

LENGTH ROADWAY TIP PROJECT B-4447	= 0.556 mi.
LENGTH STRUCTURES TIP PROJECT B-4447	= 0.022 mi.
TOTAL LENGTH TIP PROJECT B-4447	= 0.578 mi.

STRUCTURE LENGTH BASED ON -LEBL- BRIDGE

Prepared in the Offices of:

421 FAYETTEVILLE ST., STE 400
RALEIGH, NC 27601
919.380.8750

2012 STANDARD SPECIFICATIONS

RIGHT OF WAY DATE:
DECEMBER 22, 2016

LETTING DATE:
JUNE 20, 2017

ANDY YOUNG, PE
PROJECT ENGINEER

MICHAEL BURNS, EI
PROJECT DESIGN ENGINEER

GARY R. LOVERING, PE
NCDOT CONTACT

HYDRAULICS ENGINEER

DocuSigned by: 5/18/2017
Ray D. Lovinggood
SIGNATURE: P.E.

ROADWAY DESIGN ENGINEER

DocuSigned by: 5/17/2017
Andrew P. Young
SIGNATURE: P.E.

