

CONFIDENTIAL AND PROPRIETARY PROPERTY OF
Elliott Bay Design Group North Carolina, PLLC
 MAY NOT BE USED FOR CONSTRUCTION OR PROVIDED TO
 ANY THIRD PARTIES WITHOUT PRIOR WRITTEN CONSENT.
 © 2017 ELLIOTT BAY DESIGN GROUP.

REVISION HISTORY

REV	ZONE	DESCRIPTION	DWN	DATE	APVD
A	1-1B	1. REMOVED MANUFACTURER AND MODEL NAMES	JHP	3/24/17	MEJ

GENERAL NOTES

- ALL MATERIALS AND WORKMANSHIP SHALL BE IN ACCORDANCE WITH 46 CFR SUBCHAPTER T REGULATIONS.
- DIMENSIONS PROVIDED ARE CONTRACT GUIDANCE AND REFERENCE ONLY PENDING DETAILED SHAFTING DESIGN, THE BUILDER'S TORSIONAL ANALYSIS, AND FINAL DEVELOPMENT OF THE ARRANGEMENT. SEE REF 1.
- SHAFT ASSEMBLIES (CARDAN SHAFTS, BULKHEAD SEAL, AND BEARINGS) SHALL BE DESIGNED AND SUPPLIED AS AN INTEGRATED PACKAGE. SEE REF 1.
- INSTALL AND ALIGN ENGINES, JETS, AND SHAFTING IN STRICT ACCORDANCE WITH MANUFACTURERS' RECOMMENDATIONS.
- FABRICATE ALUMINUM SAFETY GUARDS OVER SHAFTING FOR PERSONNEL PROTECTION AND TO PREVENT DAMAGE TO CARBON FIBER SHAFTING.
- CONTRACTOR TO SUPPLY CUSTOM BRACKETS FOR RESILIENT MOUNTS AT ENGINE AND GEAR.
- MOUNTING BOLTS TO BE GRADE 8.8

MACHINERY DATA

MAIN ENGINES:	803 HP @ 2100 RPM	A ¹
REDUCTION GEARS:	VERTICAL OFFSET, 1.2:1 RATIO	
WATERJETS:	800 HP @ 1750 RPM	

REFERENCES

- 16109-003-802-0 CONTRACT SPECIFICATIONS
- 16109-003-120-0 HULL STRUCTURE



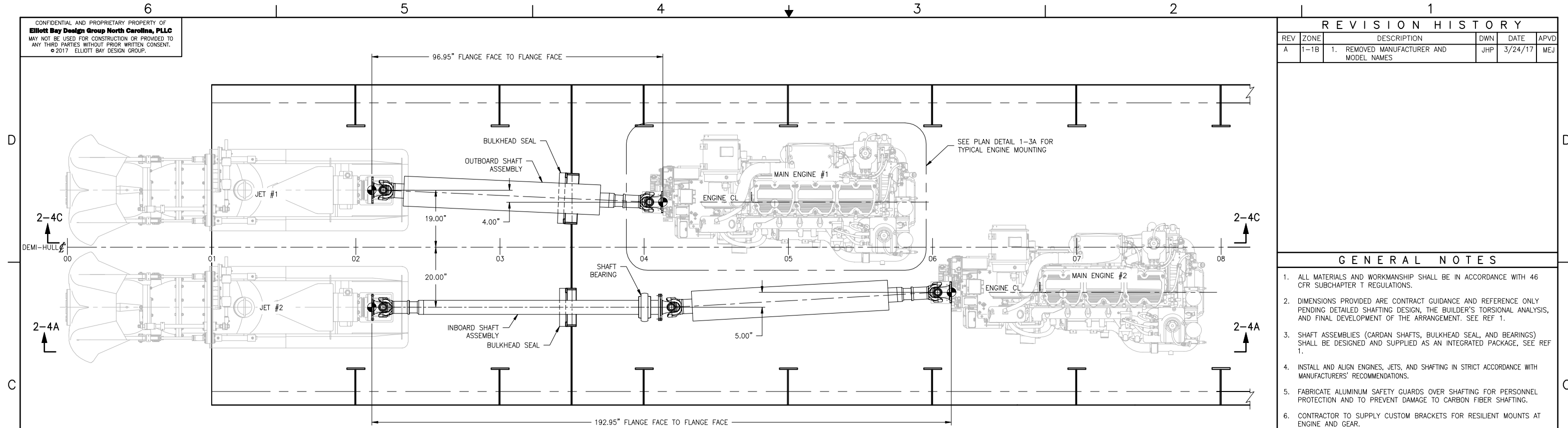
**Elliott Bay Design Group
 North Carolina, PLLC**

CLIENT
NORTH CAROLINA D.O.T.
 RALEIGH, NORTH CAROLINA

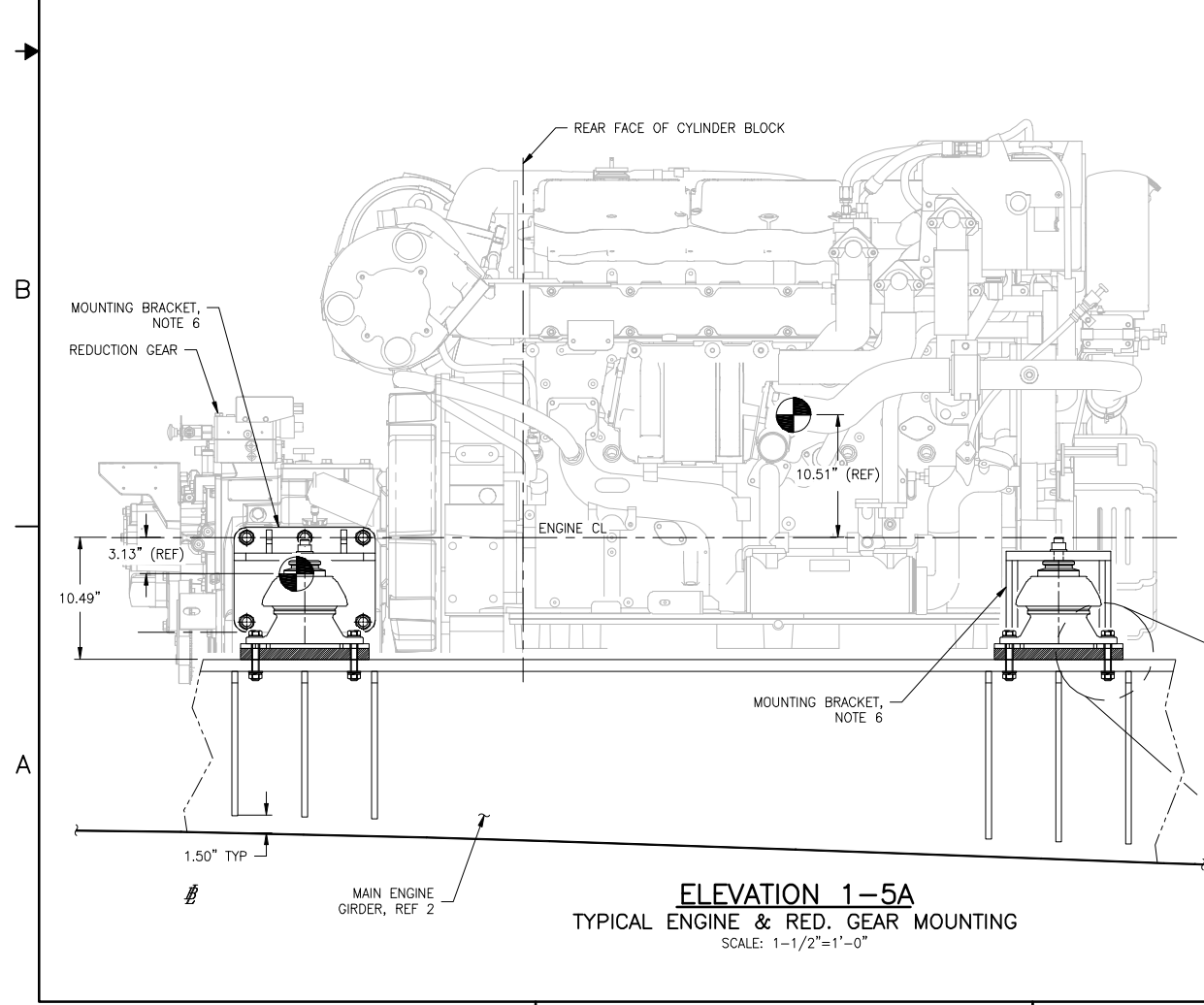
PROJECT
PEDESTRIAN FERRY

**PROPULSION EQUIPMENT
 ARRANGEMENT**

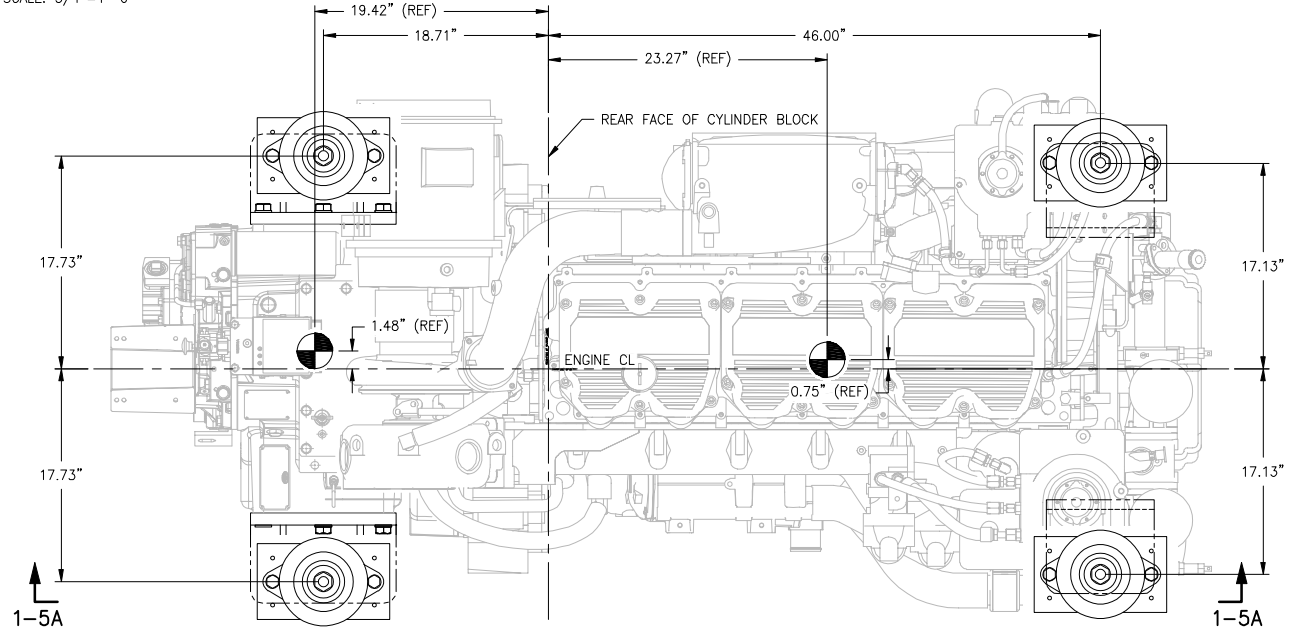
SIZE	D	DWG NO.	16109-003-170-1	REV	A
SCALE	AS NOTED	FILE NAME	16109-003-170-1A	SHEET	1 OF 2
DWN	JXB	MOD	MWR	CKD	JAT
APVD	MEJ	APVD DATE	3/3/2017		



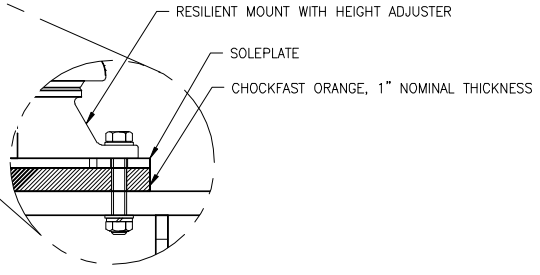
PLAN 1-4C
PROPULSION ARRANGEMENT
 PORT SHOWN, STBD OPP SIM
 SCALE: 3/4"=1'-0"



ELEVATION 1-5A
TYPICAL ENGINE & RED. GEAR MOUNTING
 SCALE: 1-1/2"=1'-0"

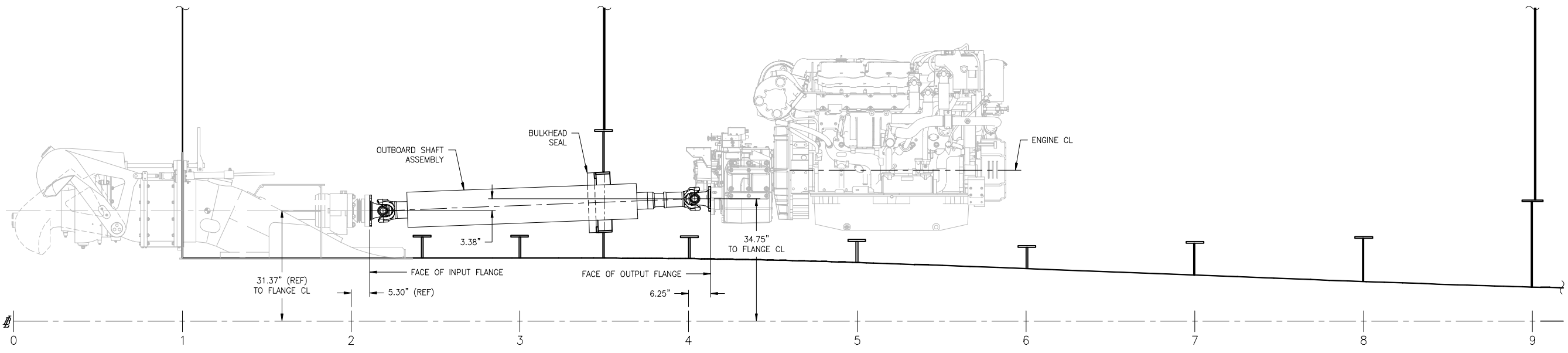


PLAN DETAIL 1-3A
TYPICAL ENGINE & RED. GEAR MOUNTING
 SCALE: 1-1/2"=1'-0"

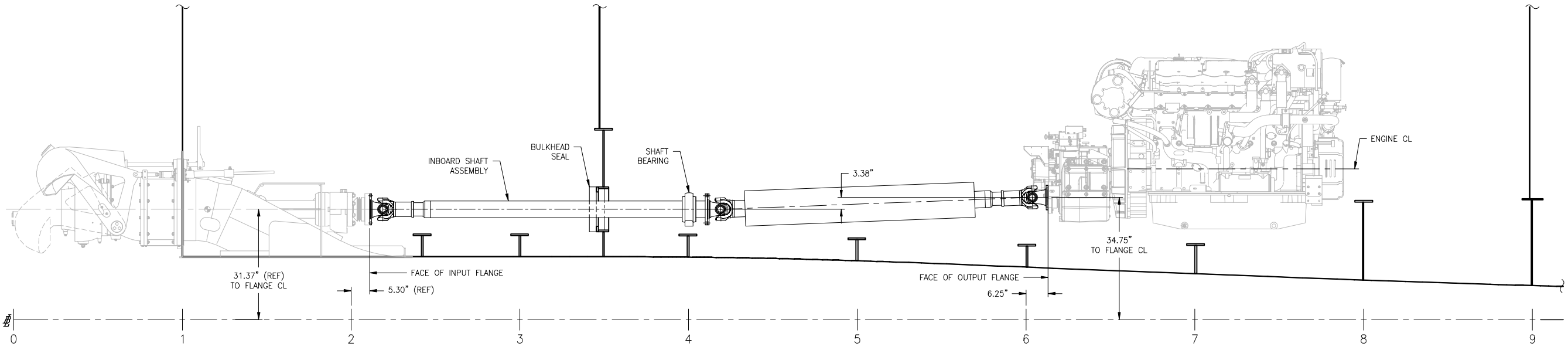


3/24/2017 11:30:16 AM

CONFIDENTIAL AND PROPRIETARY PROPERTY OF
Elliott Bay Design Group North Carolina, PLLC
 MAY NOT BE USED FOR CONSTRUCTION OR PROVIDED TO
 ANY THIRD PARTIES WITHOUT PRIOR WRITTEN CONSENT.
 © 2017 ELLIOTT BAY DESIGN GROUP.



ELEVATION 2-4C
 OUTBOARD PROPULSION TRAIN
 PORT SHOWN, STBD OPP SIM
 SCALE: 3/4"=1'-0"



ELEVATION 2-4A
 INBOARD PROPULSION TRAIN
 PORT SHOWN, STBD OPP SIM
 SCALE: 3/4"=1'-0"



SIZE	D	DWG NO.	16109-003-170-1	REV	A
SCALE	AS NOTED	FILE NAME	16109-003-170-1A	SHEET	2 OF 2

3/24/2017 11:30:21 AM