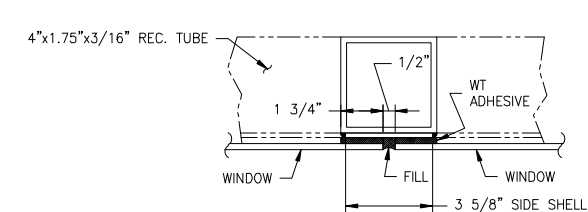
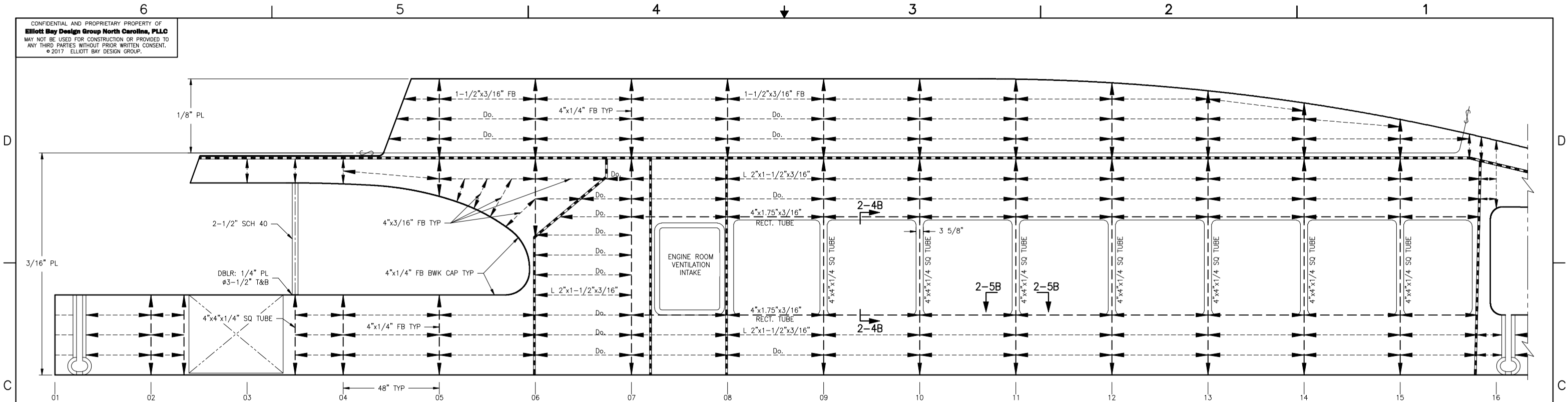
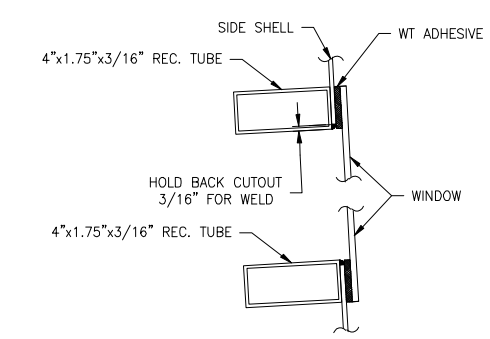


CONFIDENTIAL AND PROPRIETARY PROPERTY OF
Elliott Bay Design Group North Carolina, PLLC
 MAY NOT BE USED FOR CONSTRUCTION OR PROVIDED TO
 ANY THIRD PARTIES WITHOUT PRIOR WRITTEN CONSENT.
 © 2017 ELLIOTT BAY DESIGN GROUP.

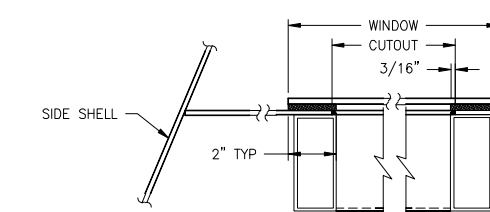


PLAN DETAIL 2-5B
 TYP. MULLION
 LOOKING DOWN I.W.O. WINDOW
 SCALE: 3"=1'-0"

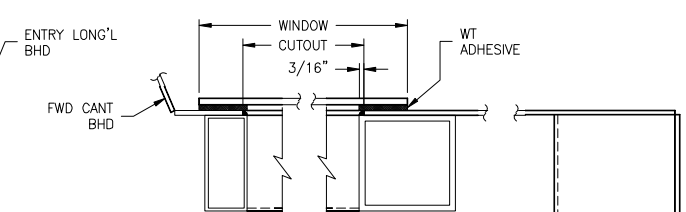
ELEVATION 2-4C
 SUPERSTRUCTURE SIDE AFT
 LOOKING OUTBOARD TO PORT
 SCALE: 1/2"=1'-0"



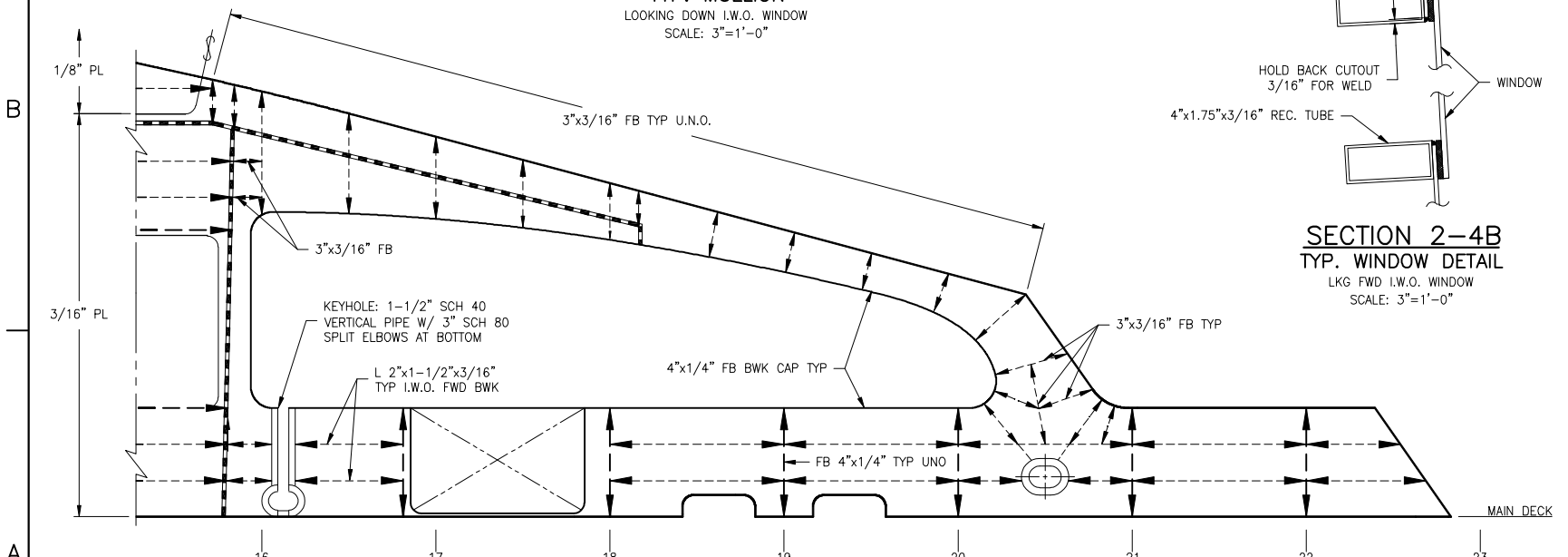
SECTION 2-4B
 TYP. WINDOW DETAIL
 LKG FWD I.W.O. WINDOW
 SCALE: 3"=1'-0"



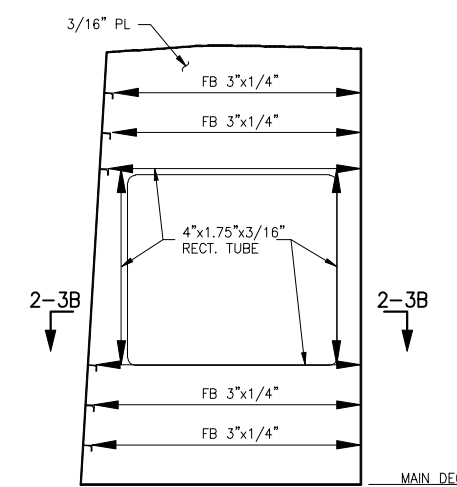
PLAN DETAIL 2-3B
 FWD CANT BHD
 LOOKING DOWN I.W.O. WINDOW
 SCALE: 3"=1'-0"



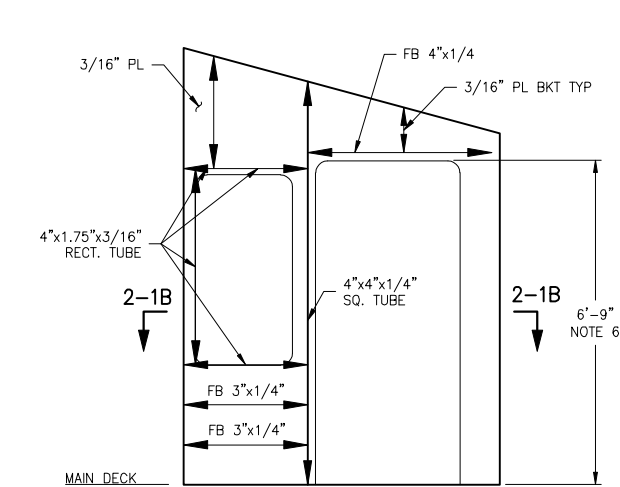
PLAN DETAIL 2-1B
 FWD ENTRY LONG'L BHD
 LOOKING DOWN I.W.O. WINDOW
 SCALE: 3"=1'-0"



ELEVATION 2-5A
 SUPERSTRUCTURE SIDE FWD
 LOOKING OUTBOARD TO PORT
 SCALE: 1/2"=1'-0"



AUX VIEW 2-3A
 FWD CANT BHD
 LOOKING FWD
 SCALE: 1/2"=1'-0"



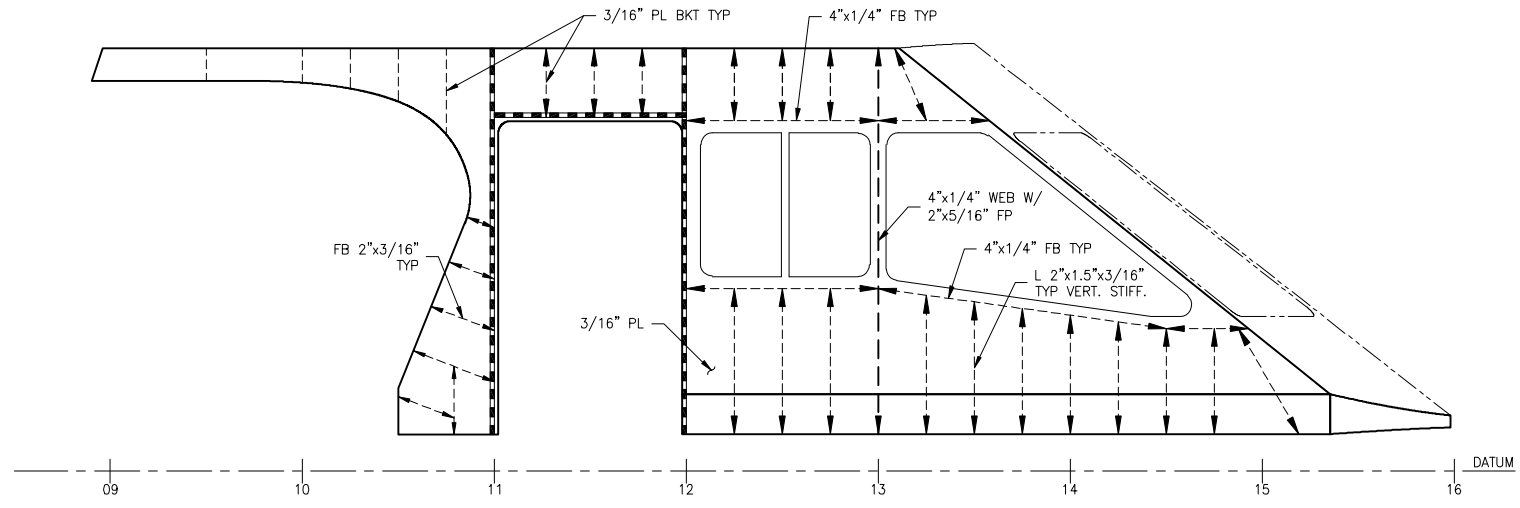
ELEVATION 2-1A
 ENTRY LONG'L BHD
 LOOKING OUTBOARD FROM CL
 SCALE: 1/2"=1'-0"



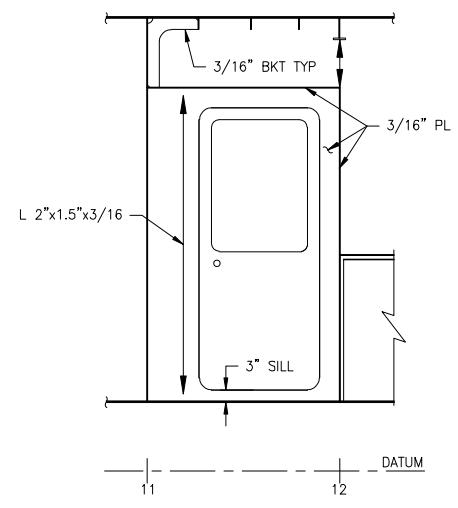
SIZE	D	DWG NO.	16109-003-130-0	REV	-
SCALE	AS NOTED	FILE NAME	16109-003-130-0-	SHEET	2 OF 6

3/2/2017 2:05:06 PM

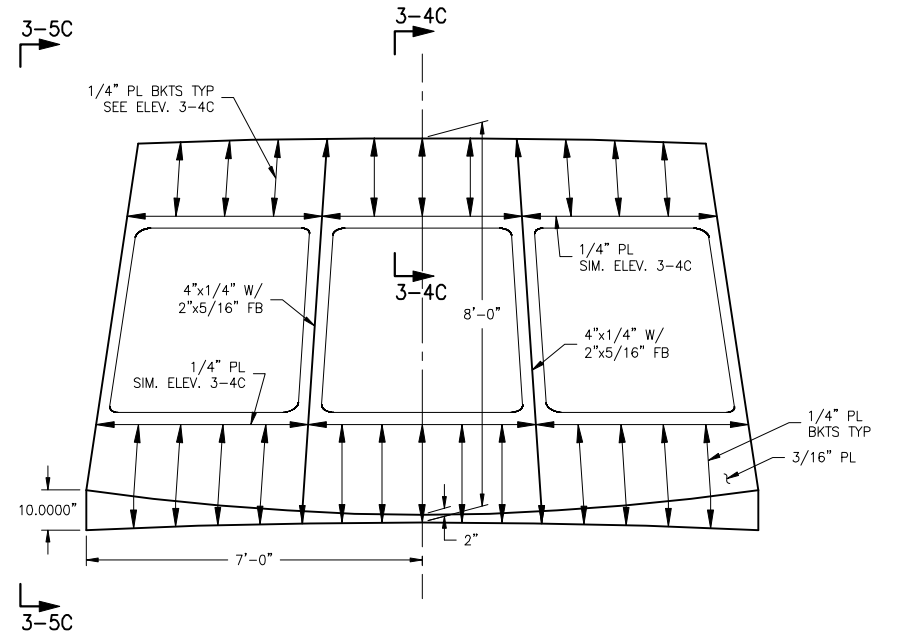
CONFIDENTIAL AND PROPRIETARY PROPERTY OF
Elliott Bay Design Group North Carolina, PLLC
 MAY NOT BE USED FOR CONSTRUCTION OR PROVIDED TO
 ANY THIRD PARTIES WITHOUT PRIOR WRITTEN CONSENT.
 © 2017 ELLIOTT BAY DESIGN GROUP.



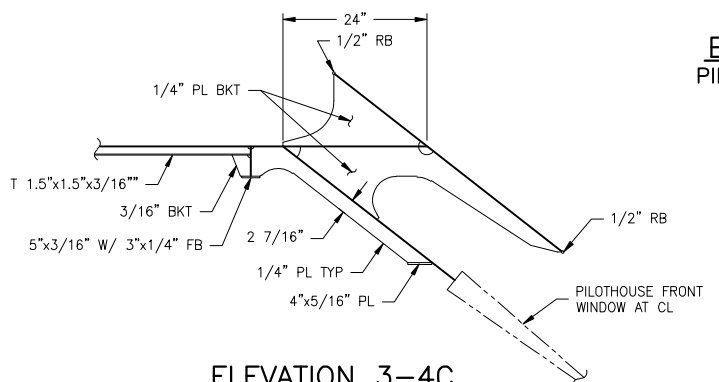
ELEVATION 3-5C
 PILOHOUSE SIDE
 LOOKING OUTBOARD FROM CL
 SCALE: 1/2"=1'-0"



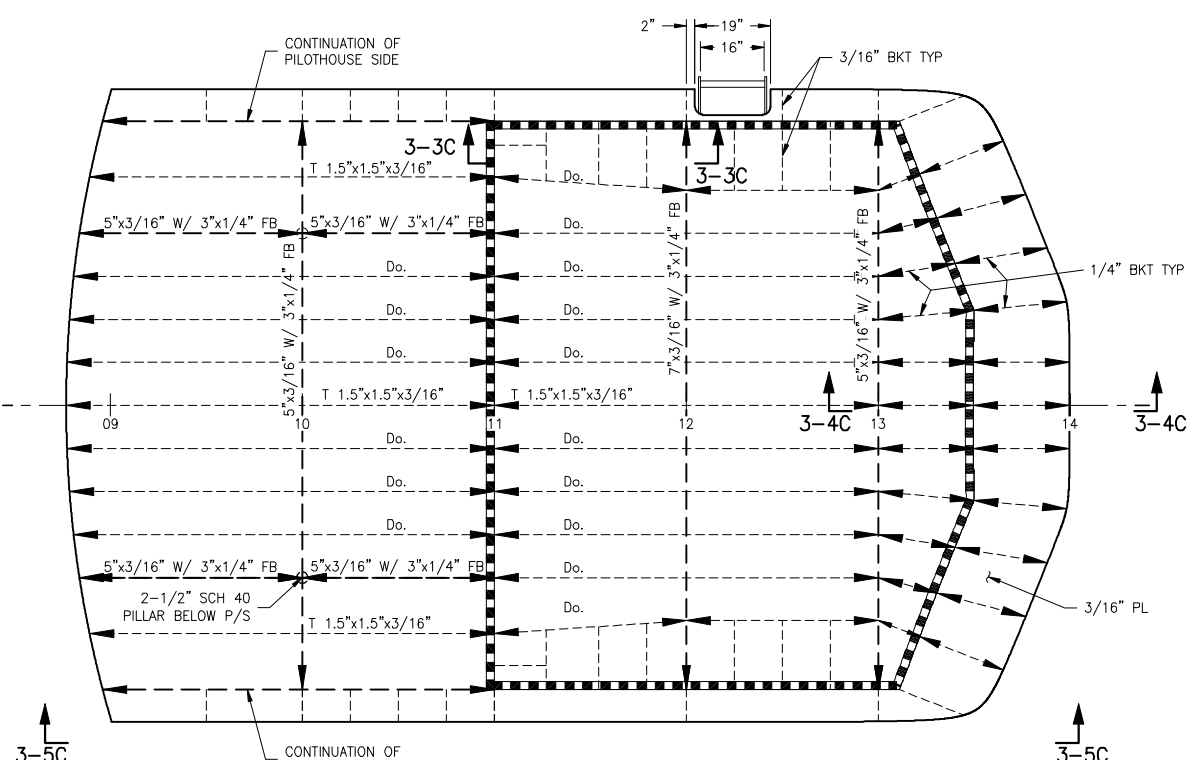
ELEVATION 3-3C
 PILOHOUSE DOOR BHD
 LOOKING TO PORT FROM CL
 SCALE: 1/2"=1'-0"



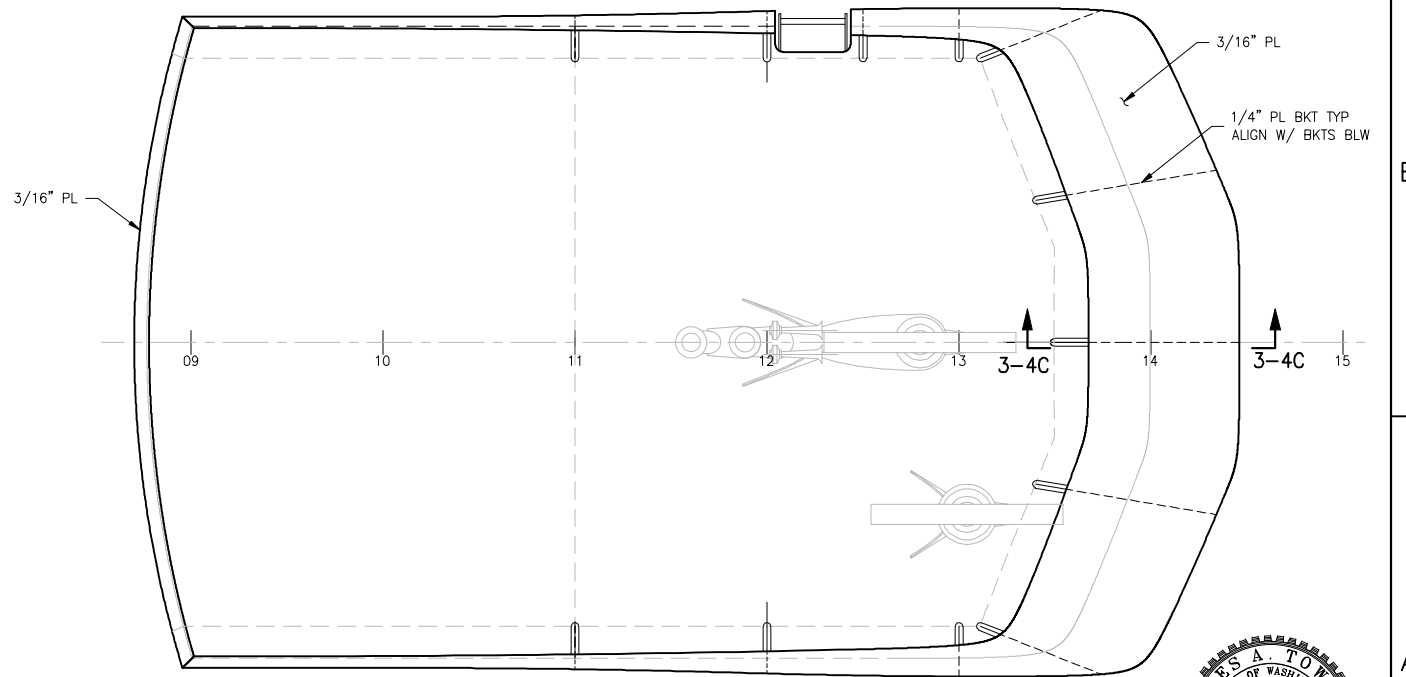
SECTION 3-2C
 PILOHOUSE FRONT
 LOOKING FWD FROM AFT
 SCALE: 1/2"=1'-0"



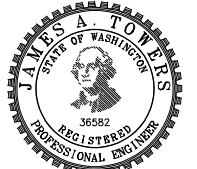
ELEVATION 3-4C
 VISOR AT CL
 LOOKING OUTBOARD FROM CL
 SCALE: 3/4"=1'-0"



PLAN 3-5A
 PILOHOUSE TOP
 29'-0" ABL W/ CAMBER SIMILAR TO PASS. DK.
 LOOKING DOWN FROM ABOVE
 SCALE: 1/2"=1'-0"



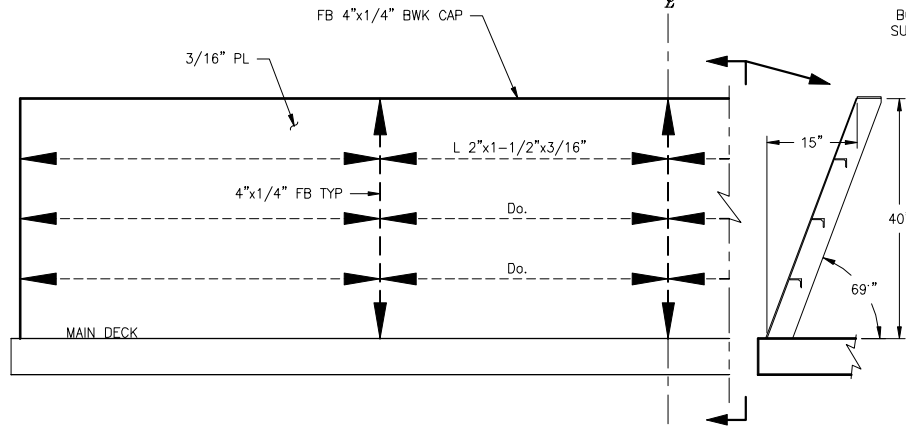
PLAN 3-2A
 PILOHOUSE VISOR
 LOOKING DOWN FROM ABOVE
 SCALE: 1/2"=1'-0"



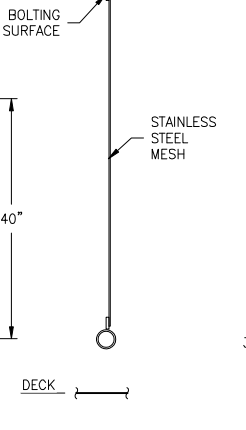
SIZE	D	DWG NO.	16109-003-130-0	REV	-
SCALE	AS NOTED	FILE NAME	16109-003-130-0-	SHEET	3 OF 6

3/2/2017 2:05:10 PM

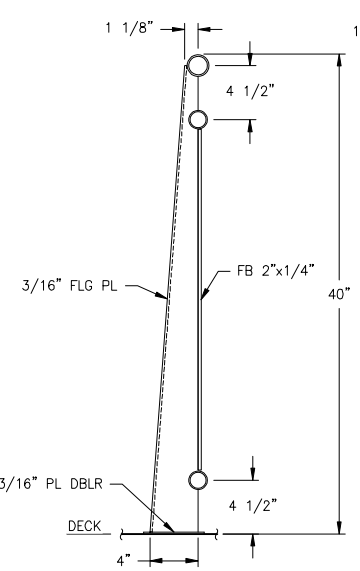
CONFIDENTIAL AND PROPRIETARY PROPERTY OF
Elliott Bay Design Group North Carolina, PLLC
 MAY NOT BE USED FOR CONSTRUCTION OR PROVIDED TO
 ANY THIRD PARTIES WITHOUT PRIOR WRITTEN CONSENT.
 © 2017 ELLIOTT BAY DESIGN GROUP.



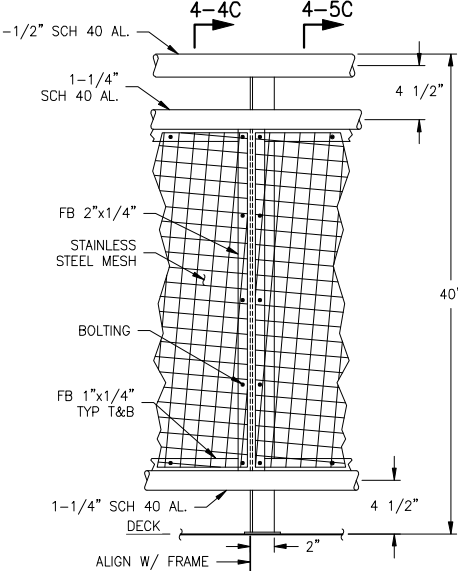
SECTION 4-6C
 FR 01 (AFT BWK)
 PORT, LOOKING FORWARD
 SCALE: 3/4"=1'-0"



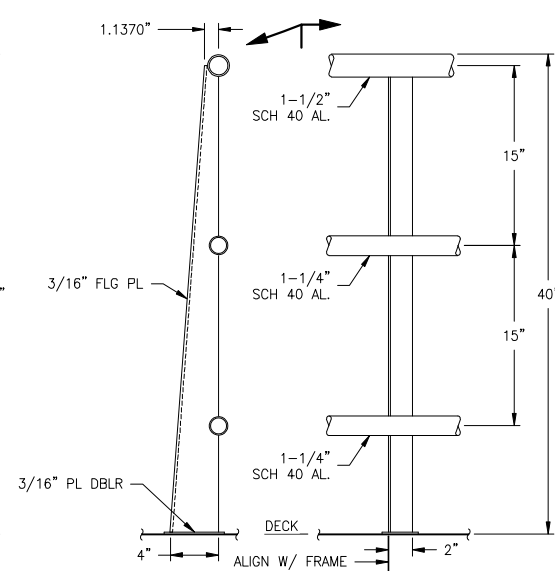
DETAIL 4-5C
 TYP PASSENGER RAILINGS
 SCALE: 1-1/2"=1'-0"



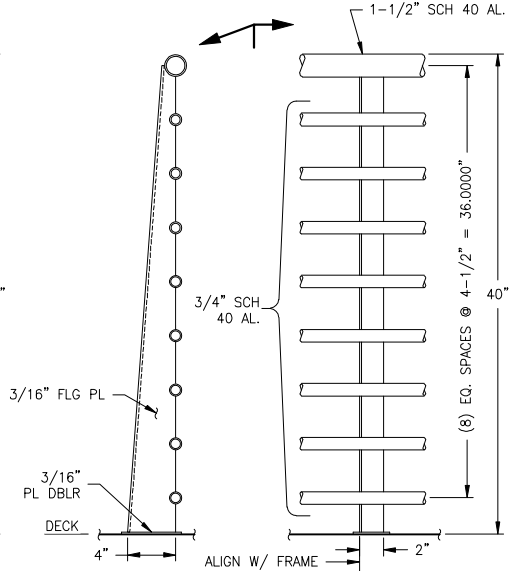
DETAIL 4-4C
 TYP PASSENGER RAILINGS
 SCALE: 1-1/2"=1'-0"



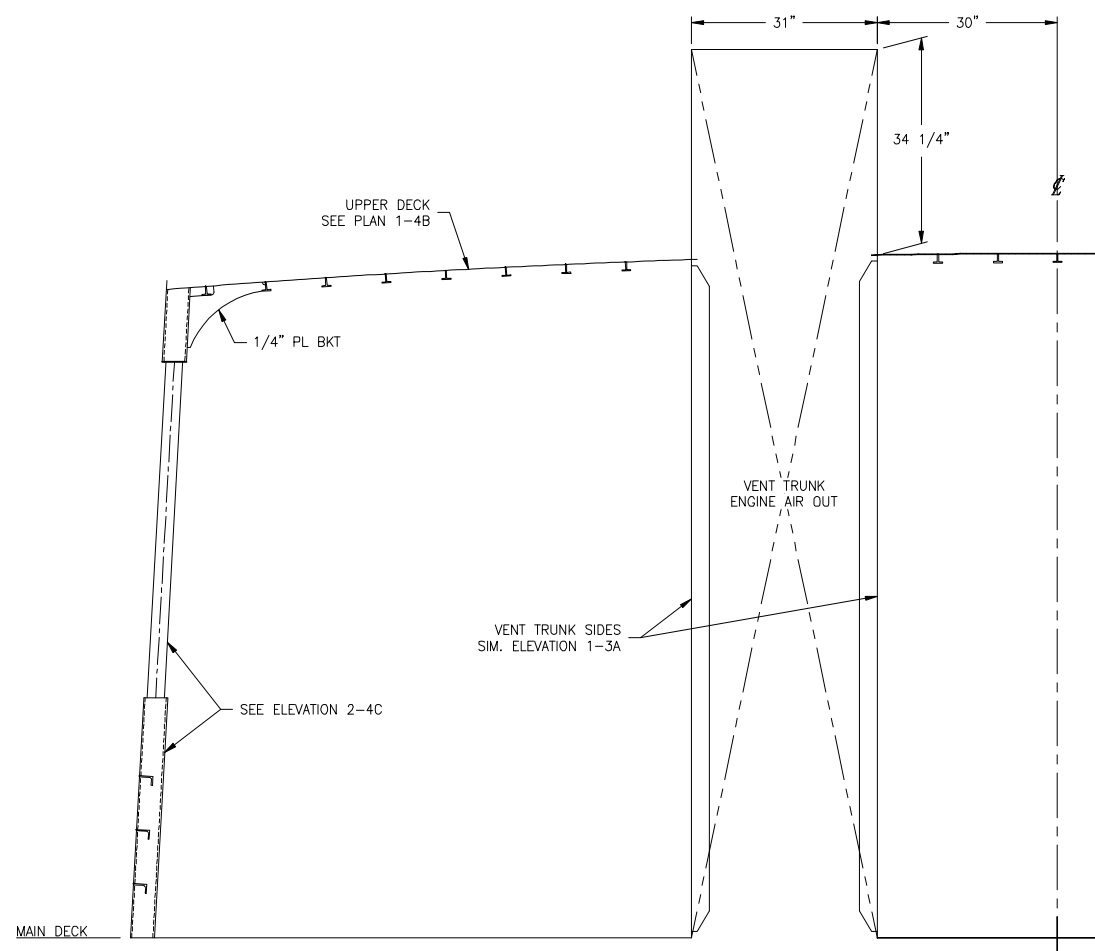
DETAIL 4-3C
 TYP PASSENGER RAILINGS
 SCALE: 1-1/2"=1'-0"



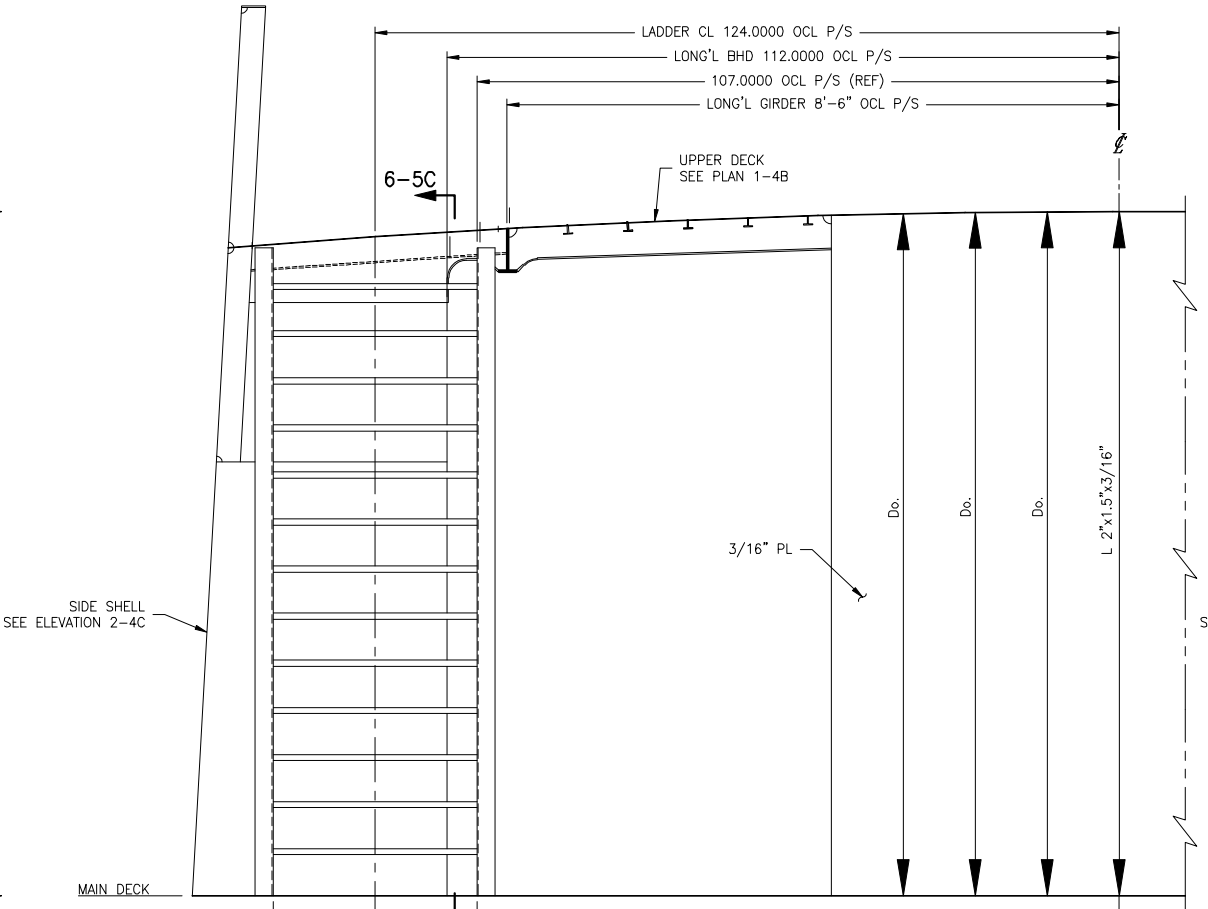
DETAIL 4-2C
 TYP CREW RAILINGS
 SCALE: 1-1/2"=1'-0"



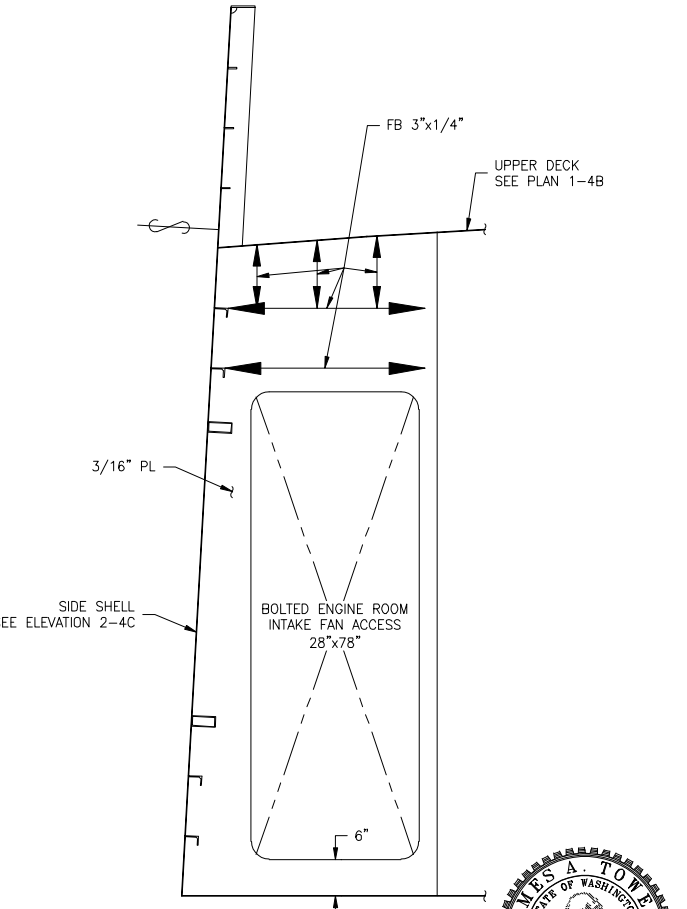
DETAIL 4-1C
 TYP BOW RAILINGS
 SCALE: 1-1/2"=1'-0"



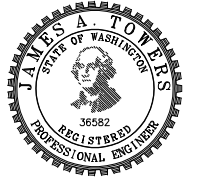
SECTION 4-5A
 FRAME 3.5
 PORT, LOOKING FORWARD
 SCALE: 3/4"=1'-0"



SECTION 4-3A
 FRAME 06
 PORT, LOOKING FORWARD
 SCALE: 3/4"=1'-0"



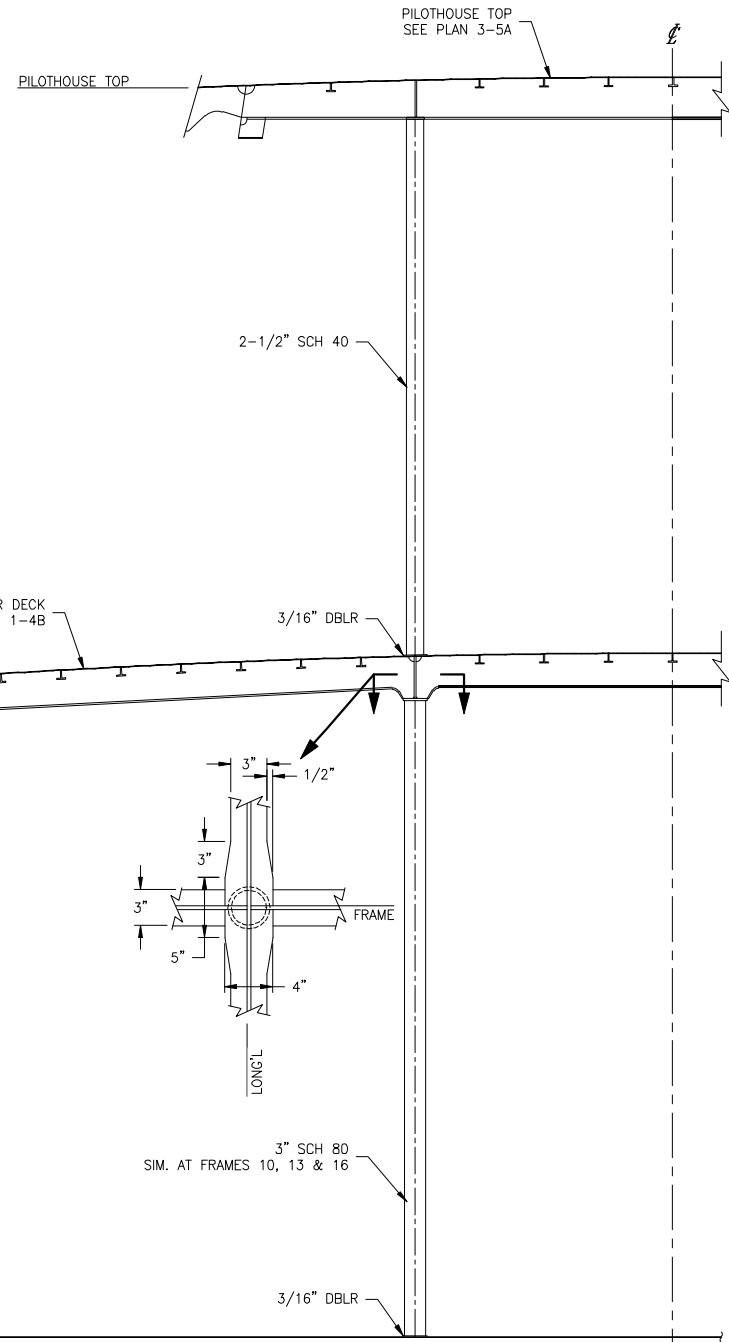
SECTION 4-1A
 FRAME 07+10
 PORT, LOOKING FORWARD
 SCALE: 3/4"=1'-0"



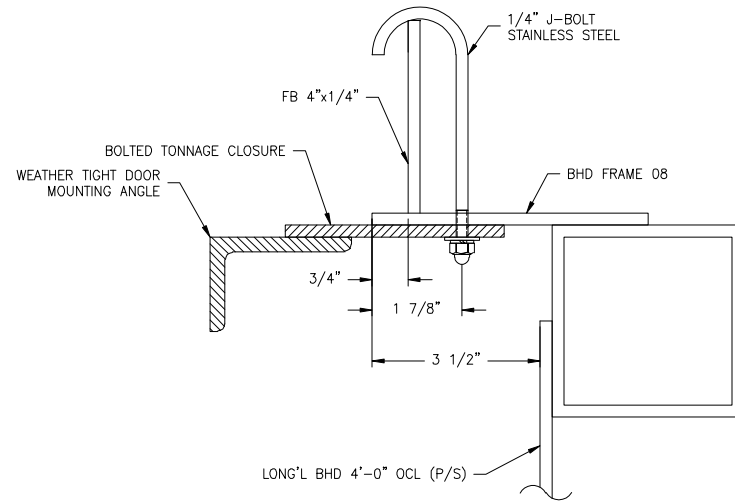
SIZE	D	DWG NO.	16109-003-130-0	REV	-
SCALE	AS NOTED	FILE NAME	16109-003-130-0-	SHEET	4 OF 6

3/2/2017 2:05:15 PM

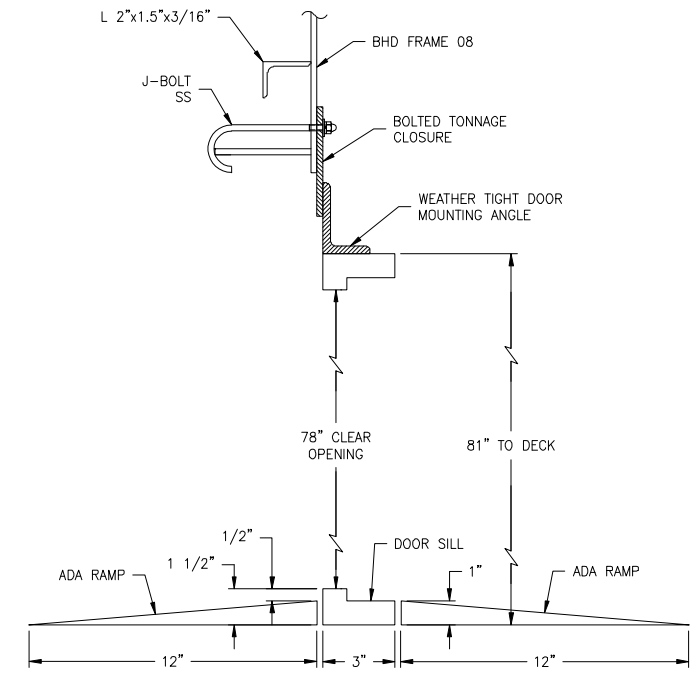
CONFIDENTIAL AND PROPRIETARY PROPERTY OF
Elliott Bay Design Group North Carolina, PLLC
 MAY NOT BE USED FOR CONSTRUCTION OR PROVIDED TO
 ANY THIRD PARTIES WITHOUT PRIOR WRITTEN CONSENT.
 © 2017 ELLIOTT BAY DESIGN GROUP.



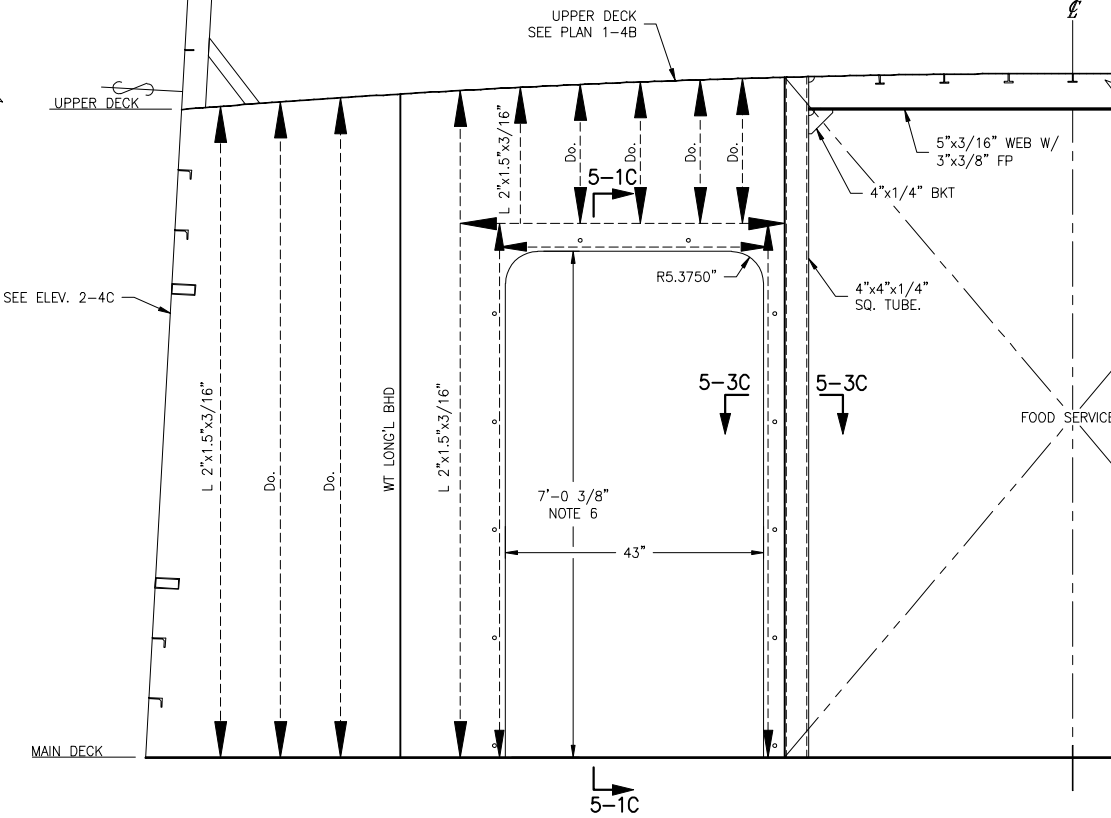
SECTION 5-5A
 FRAME 10
 PORT, LOOKING FORWARD
 SCALE: 3/4"=1'-0"



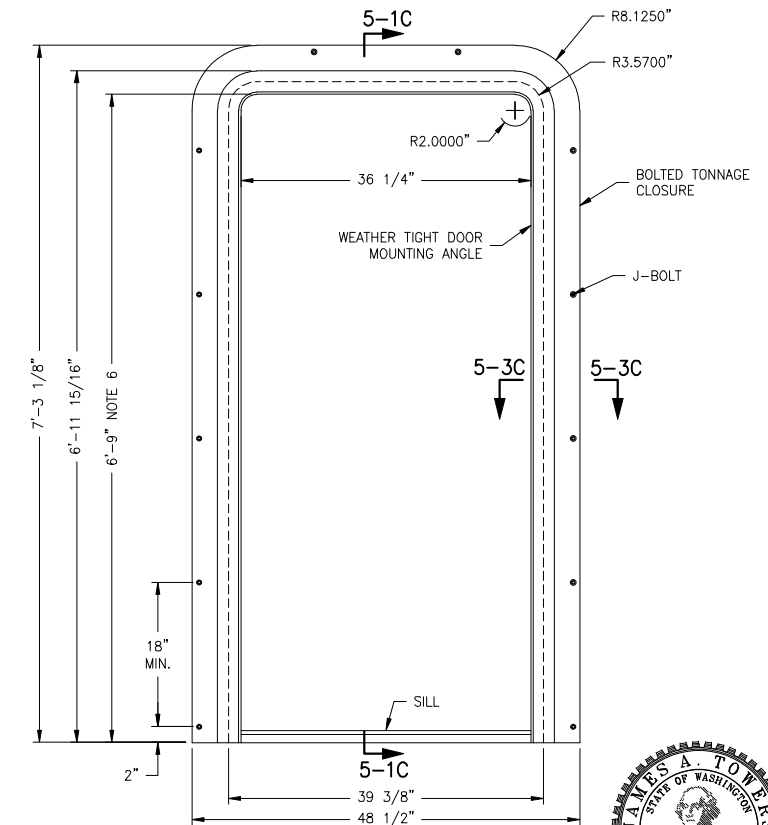
PLAN DETAIL 5-3C
 TONNAGE DETAILS
 LKG DOWN I.W.O. FRAME 08
 SCALE: 6"=1'-0"



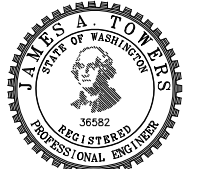
ELEV. DETAIL 5-1C
 TONNAGE CLOSURE & WT DOOR SILL
 LKG TO CL FROM PORT
 SCALE: 3"=1'-0"



SECTION 5-3A
 FRAME 08
 PORT, LOOKING FORWARD
 SCALE: 3/4"=1'-0"



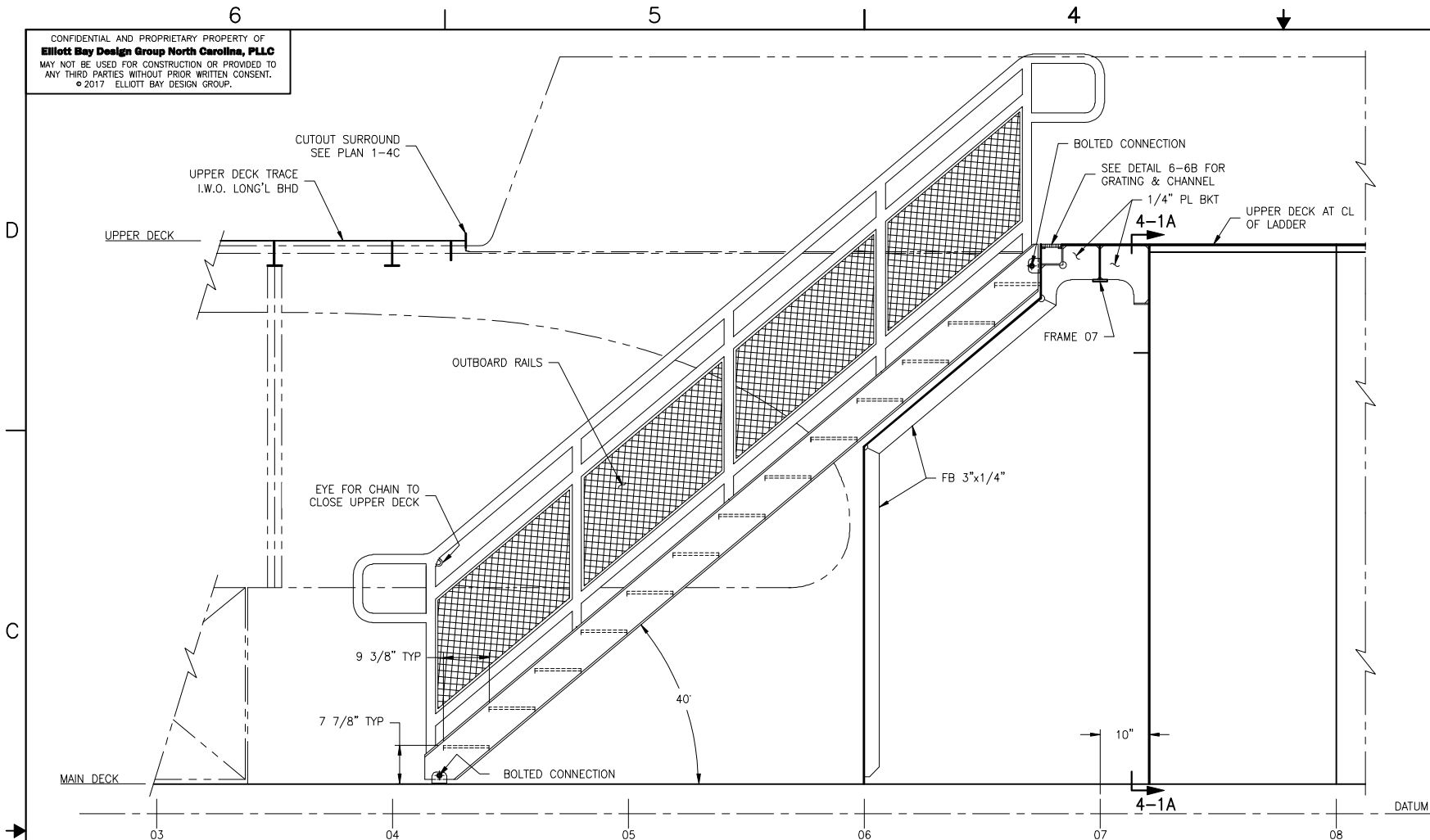
DETAIL 5-1A
 BOLTED TONNAGE CLOSURE
 PORT LKG FWD, STBD SIM.
 SCALE: 1"=1'-0"



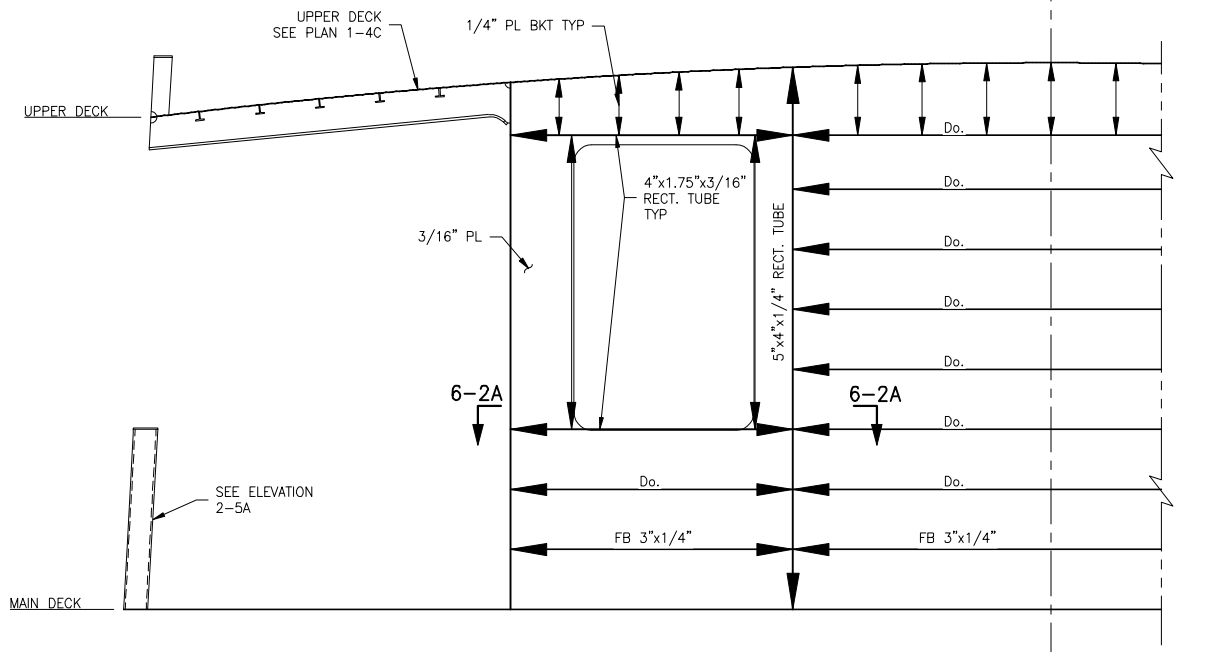
SIZE	D	DWG NO.	16109-003-130-0	REV	-
SCALE	AS NOTED	FILE NAME	16109-003-130-0-	SHEET	5 OF 6

3/2/2017 2:05:20 PM

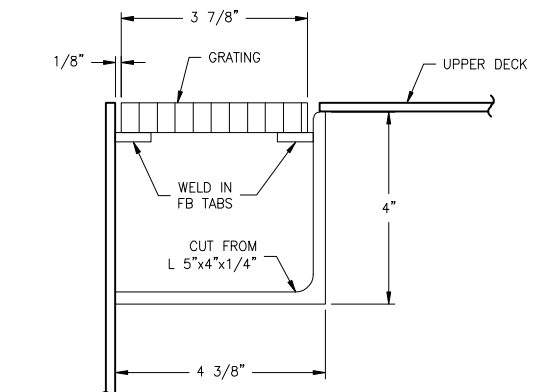
CONFIDENTIAL AND PROPRIETARY PROPERTY OF
Elliott Bay Design Group North Carolina, PLLC
 MAY NOT BE USED FOR CONSTRUCTION OR PROVIDED TO
 ANY THIRD PARTIES WITHOUT PRIOR WRITTEN CONSENT.
 © 2017 ELLIOTT BAY DESIGN GROUP.



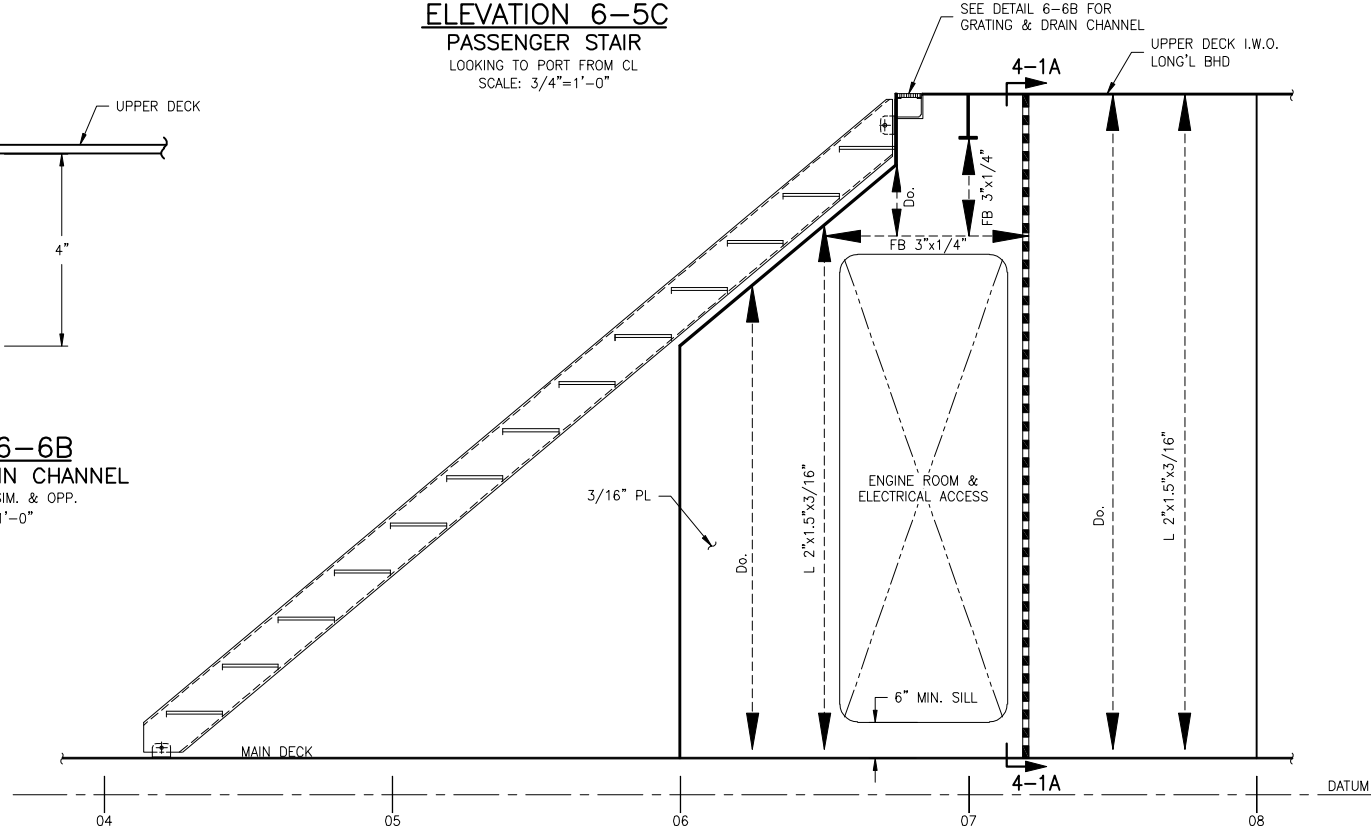
ELEVATION 6-5C
 PASSENGER STAIR
 LOOKING TO PORT FROM CL
 SCALE: 3/4"=1'-0"



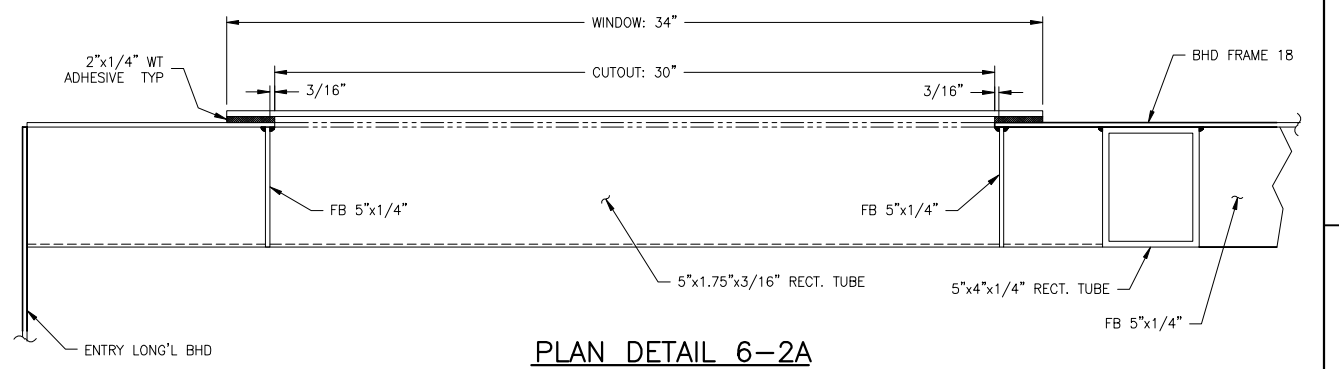
SECTION 6-2C
 FRAME 18
 PORT, LOOKING FORWARD
 SCALE: 3/4"=1'-0"



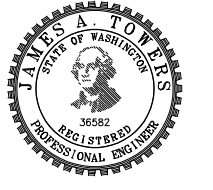
DETAIL 6-6B
 GRATING & DRAIN CHANNEL
 LKG PORT, STBD SIM. & OPP.
 SCALE: 3"=1'-0"



ELEVATION 6-4A
 E.R. ACCESS BHD
 LOOKING TO PORT FROM CL
 SCALE: 3/4"=1'-0"



PLAN DETAIL 6-2A
 HOUSE FRONT STRUCTURE
 PORT LKG DOWN, STBD SIM.
 SCALE: 3"=1'-0"



SIZE	D	DWG NO.	16109-003-130-0	REV	-
SCALE	AS NOTED	FILE NAME	16109-003-130-0-	SHEET	6 OF 6

3/2/2017 2:05:25 PM