

P.O. BOX 33068  
RALEIGH, N.C. 27636-3068

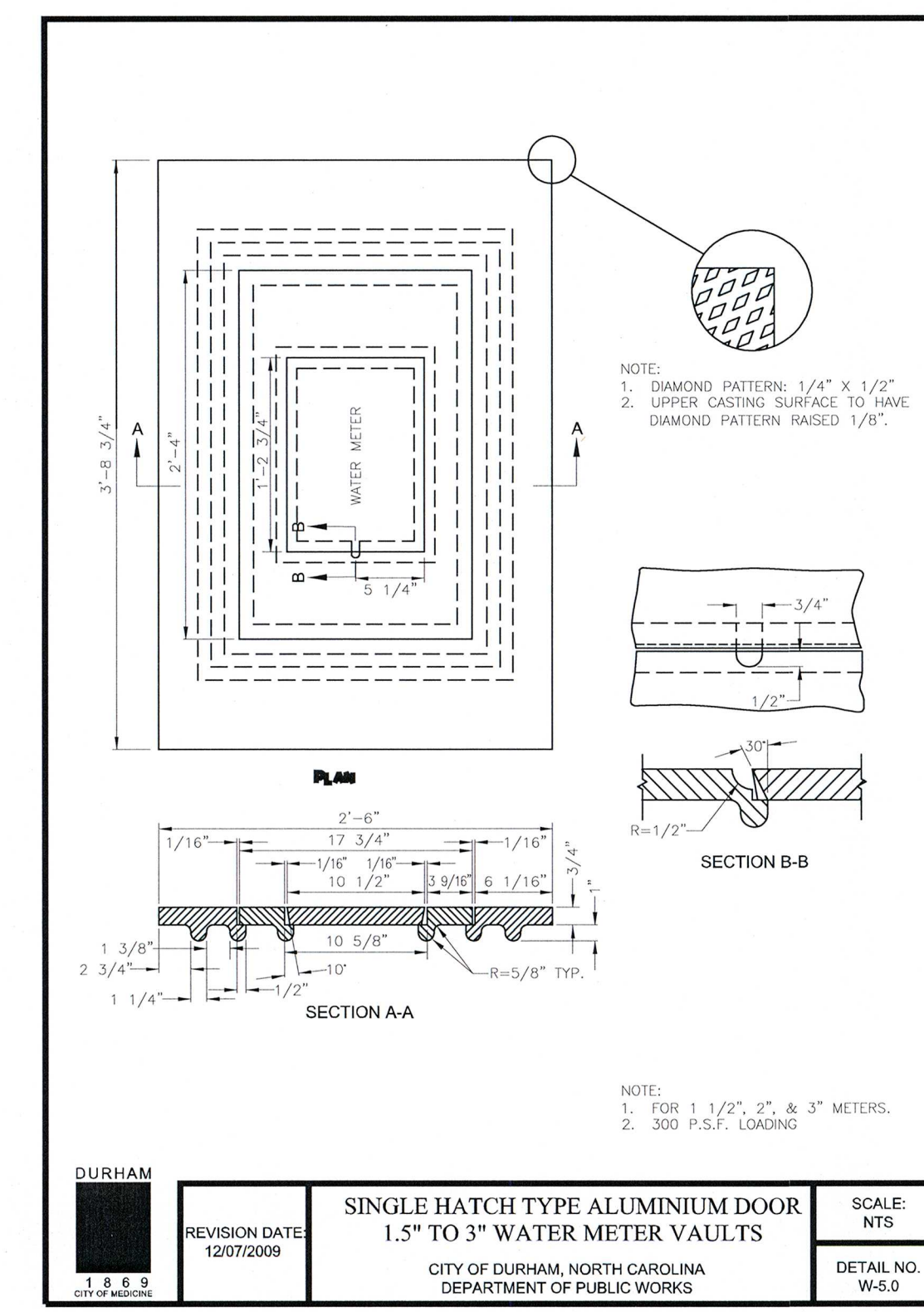
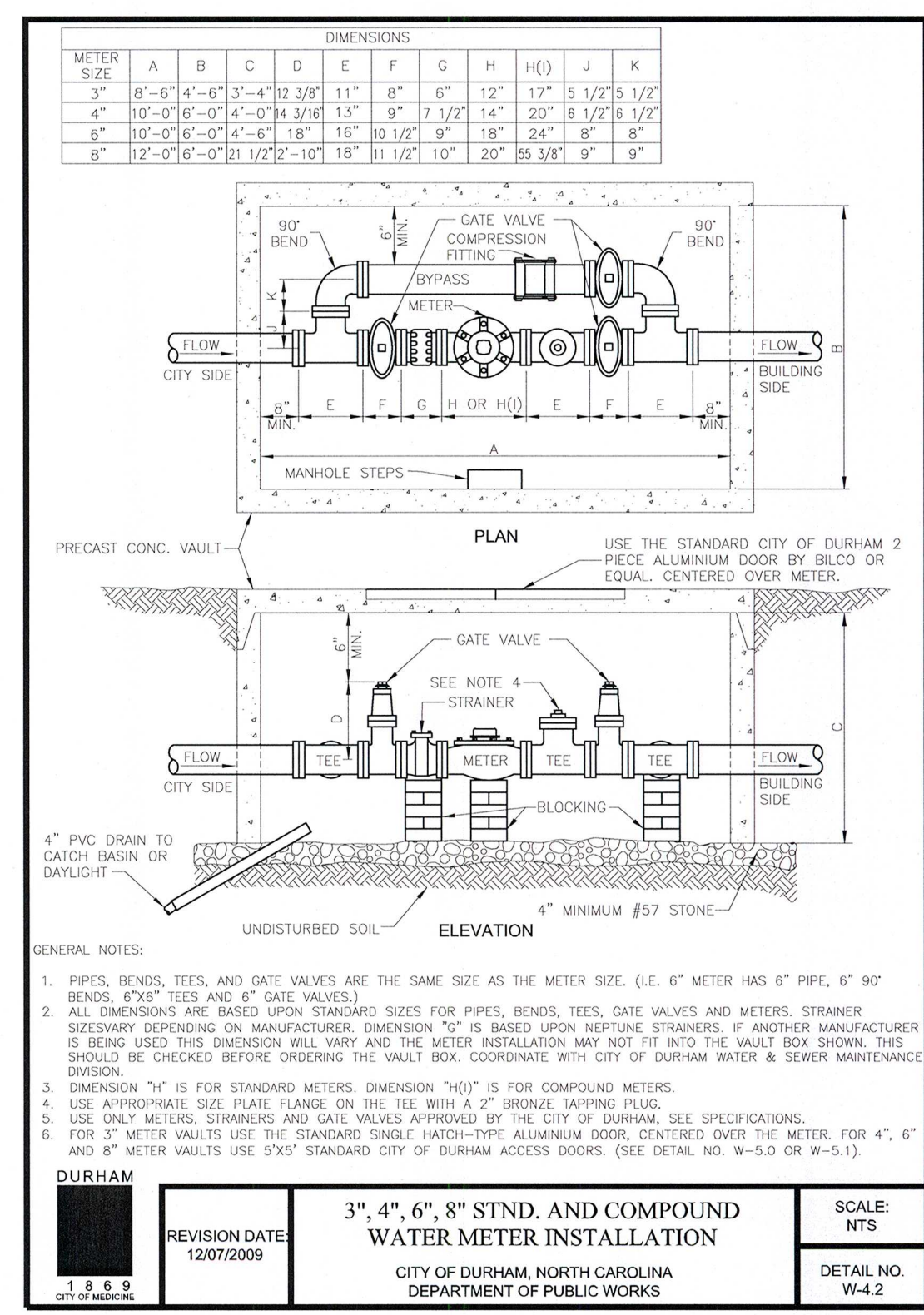
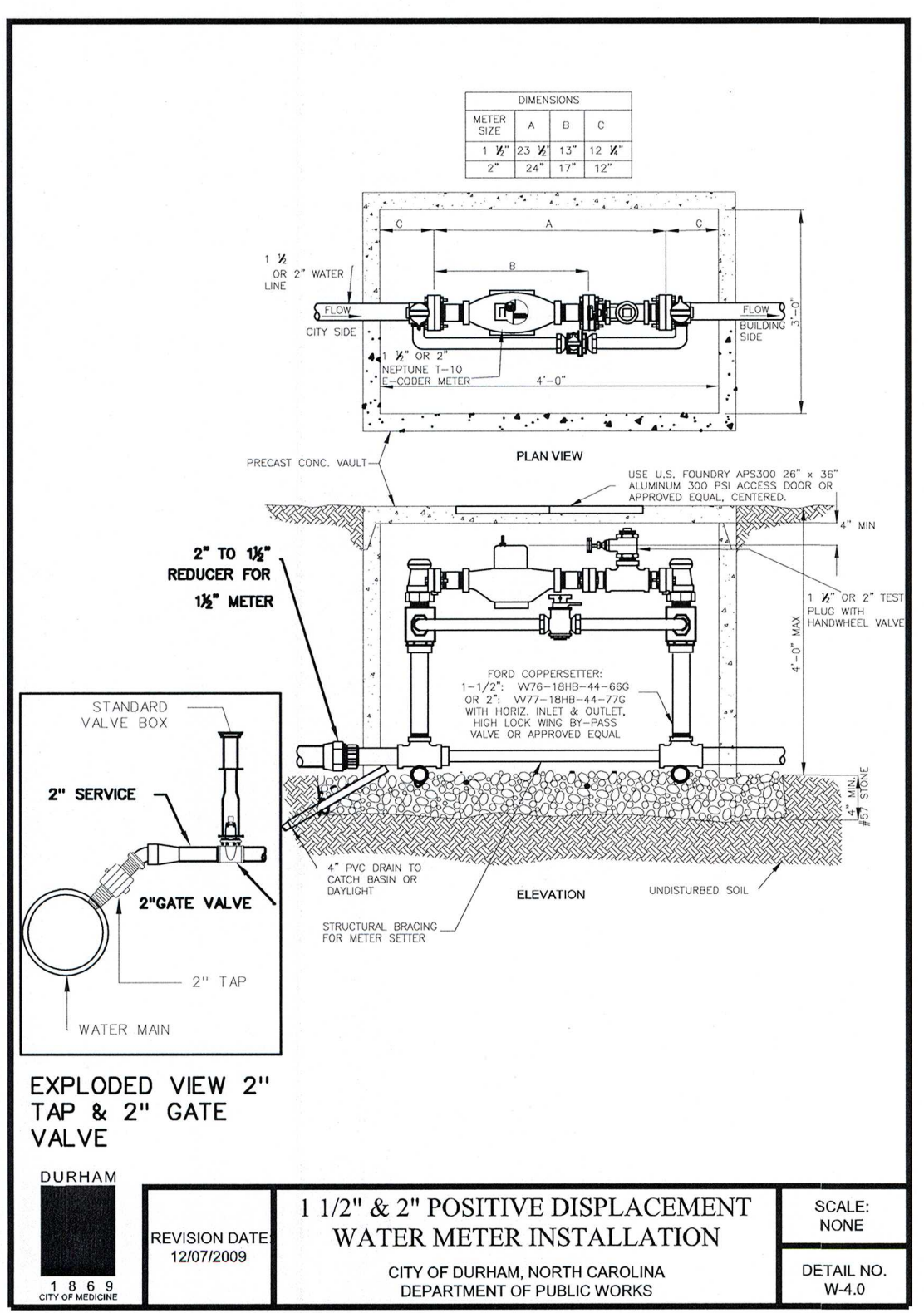
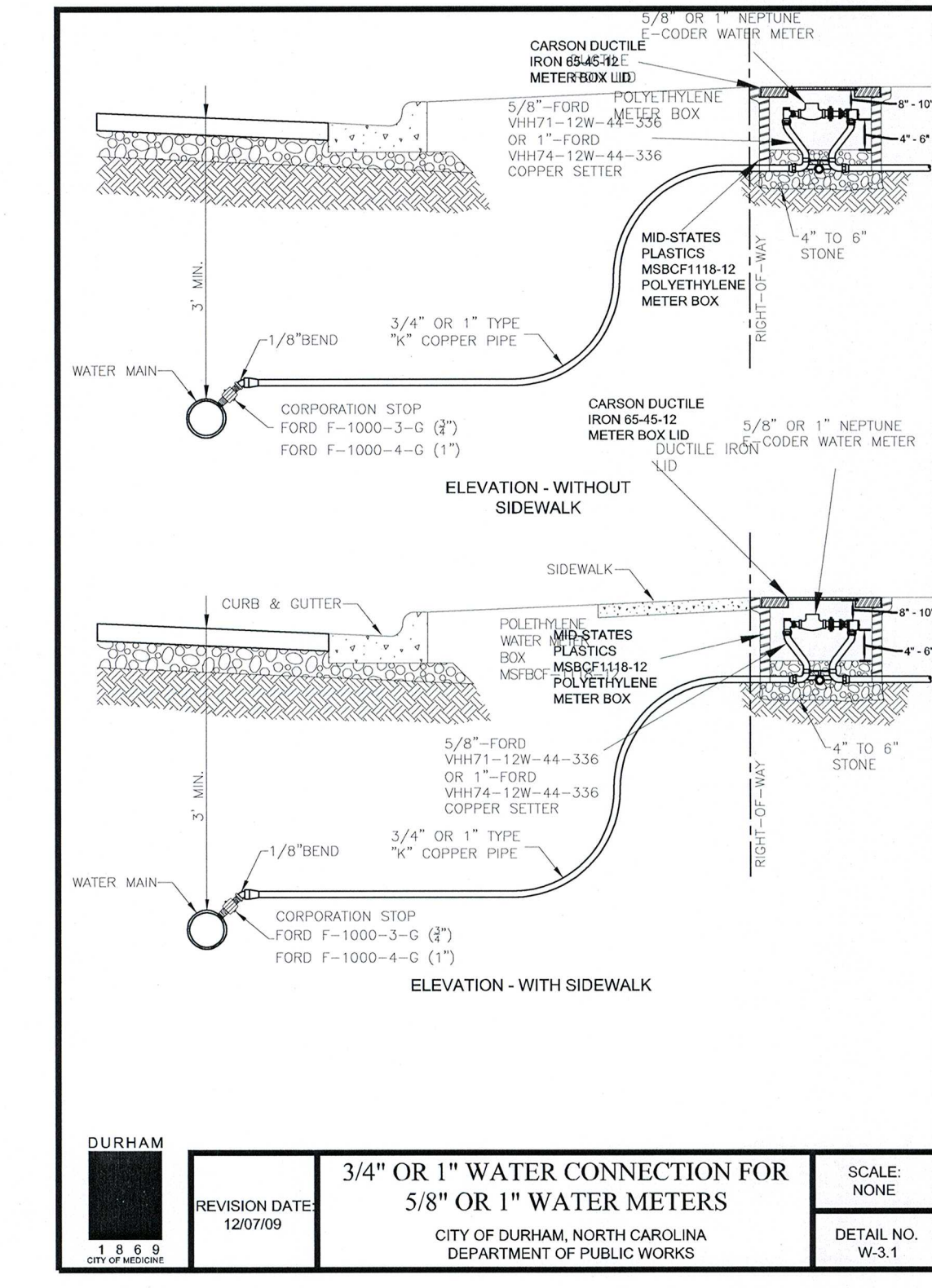
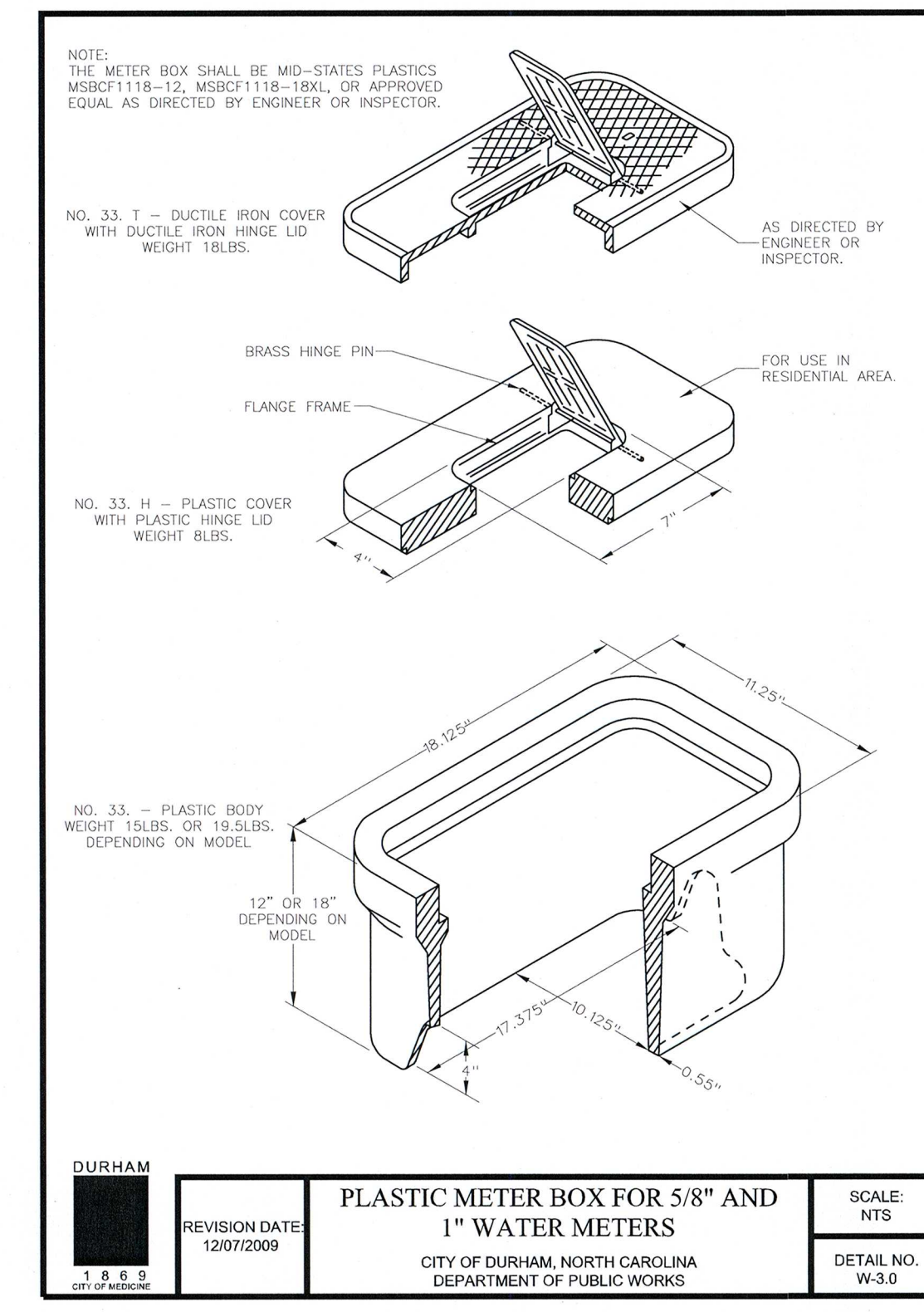
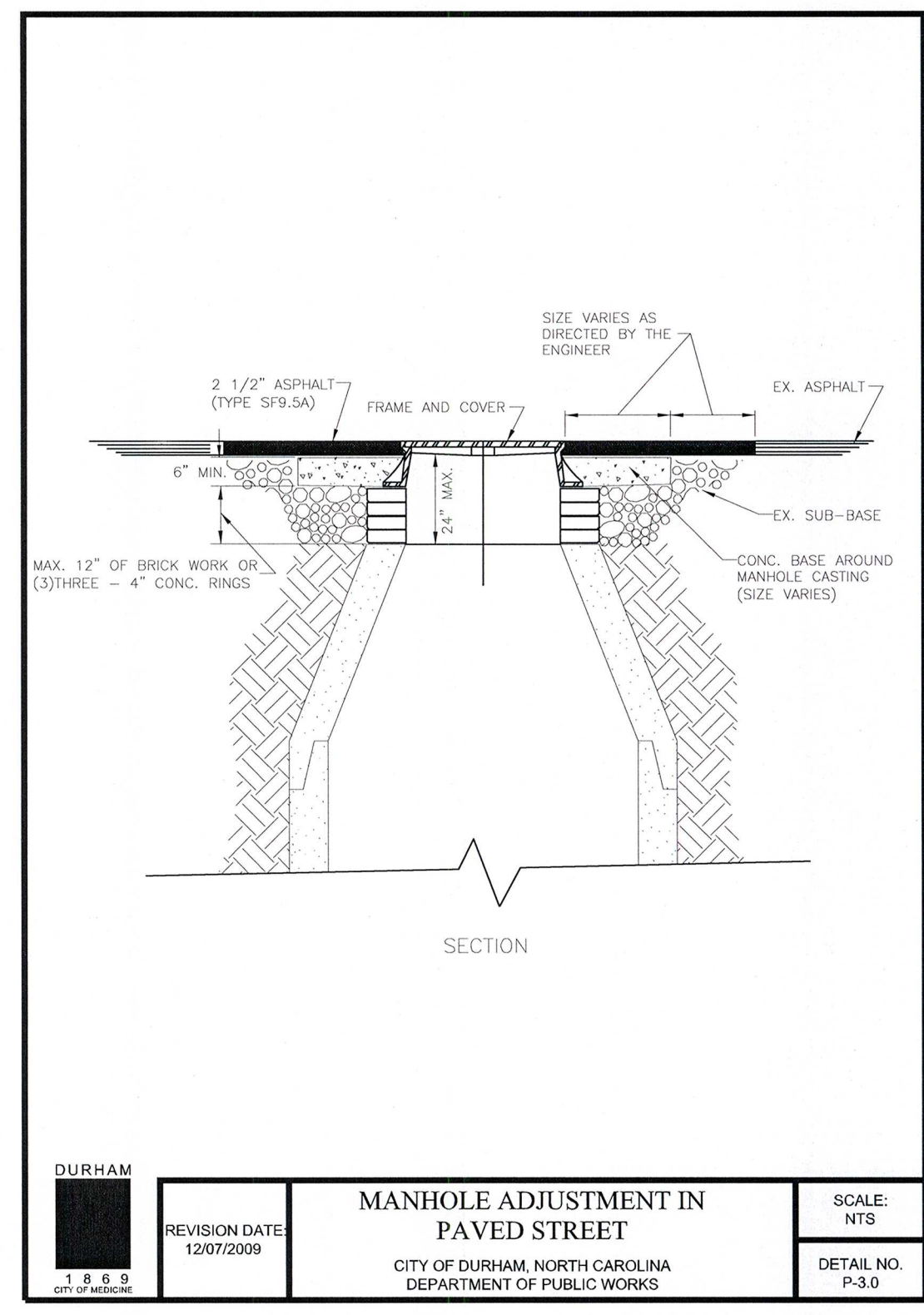
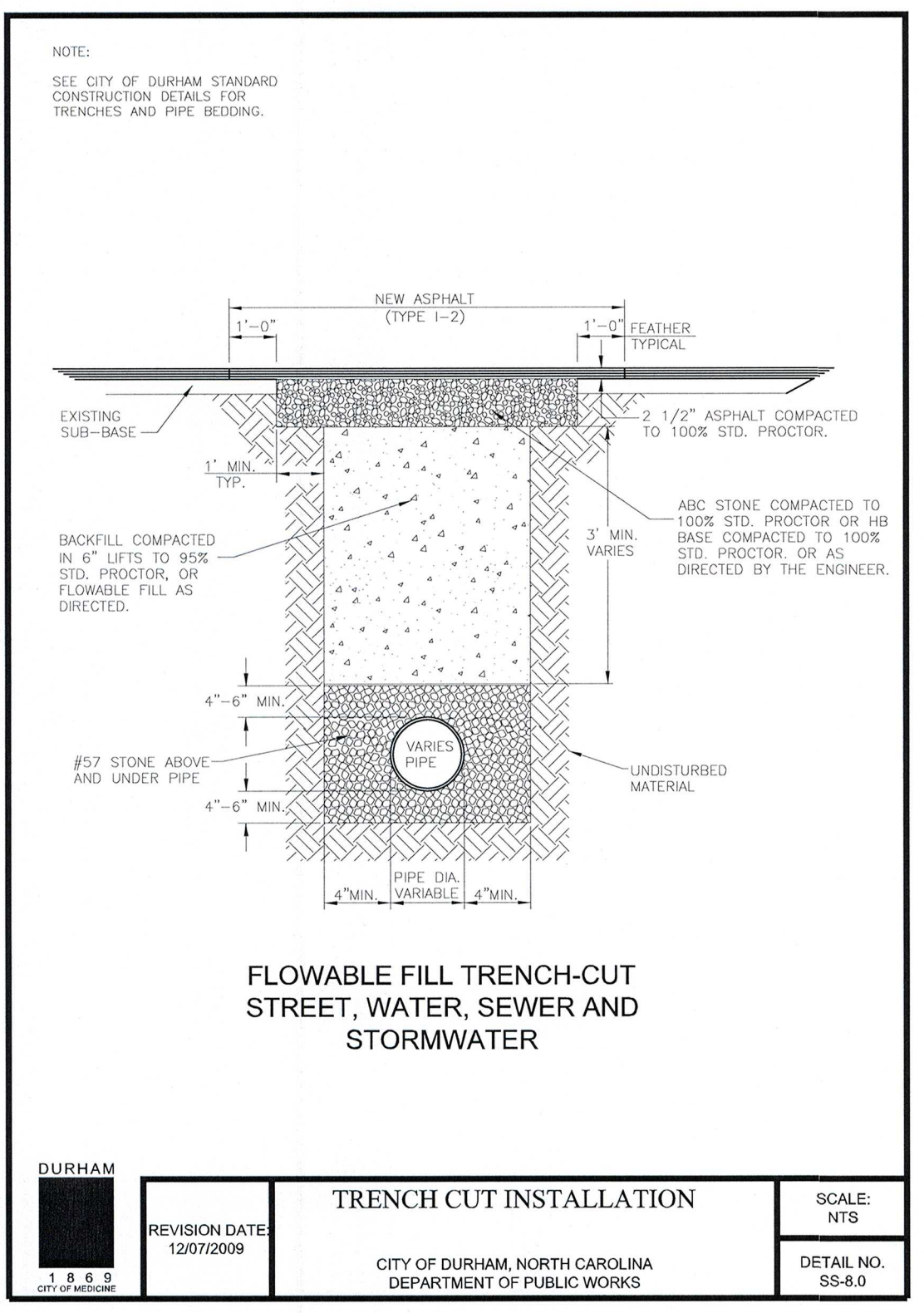
**CITY OF DURHAM PUBLIC WORKS DEPARTMENT APPROVED**

ENGINEERING	DATE
STORM WATER	DATE
TRANSPORTATION	DATE

UTILITY CONSTRUCTION ENGINEER

DocuSigned by:  
*Nolan Rainey*  
037953  
NOLAN D. RAINEY

2/3/2017



K:\PAL\_Roadway\01036290 - EB-4707 Part B\Plan\Utilities\Plan View Sheets\EB-4707\_ut\_dtl\_uc04a\_pshdgn 12/14/2016