

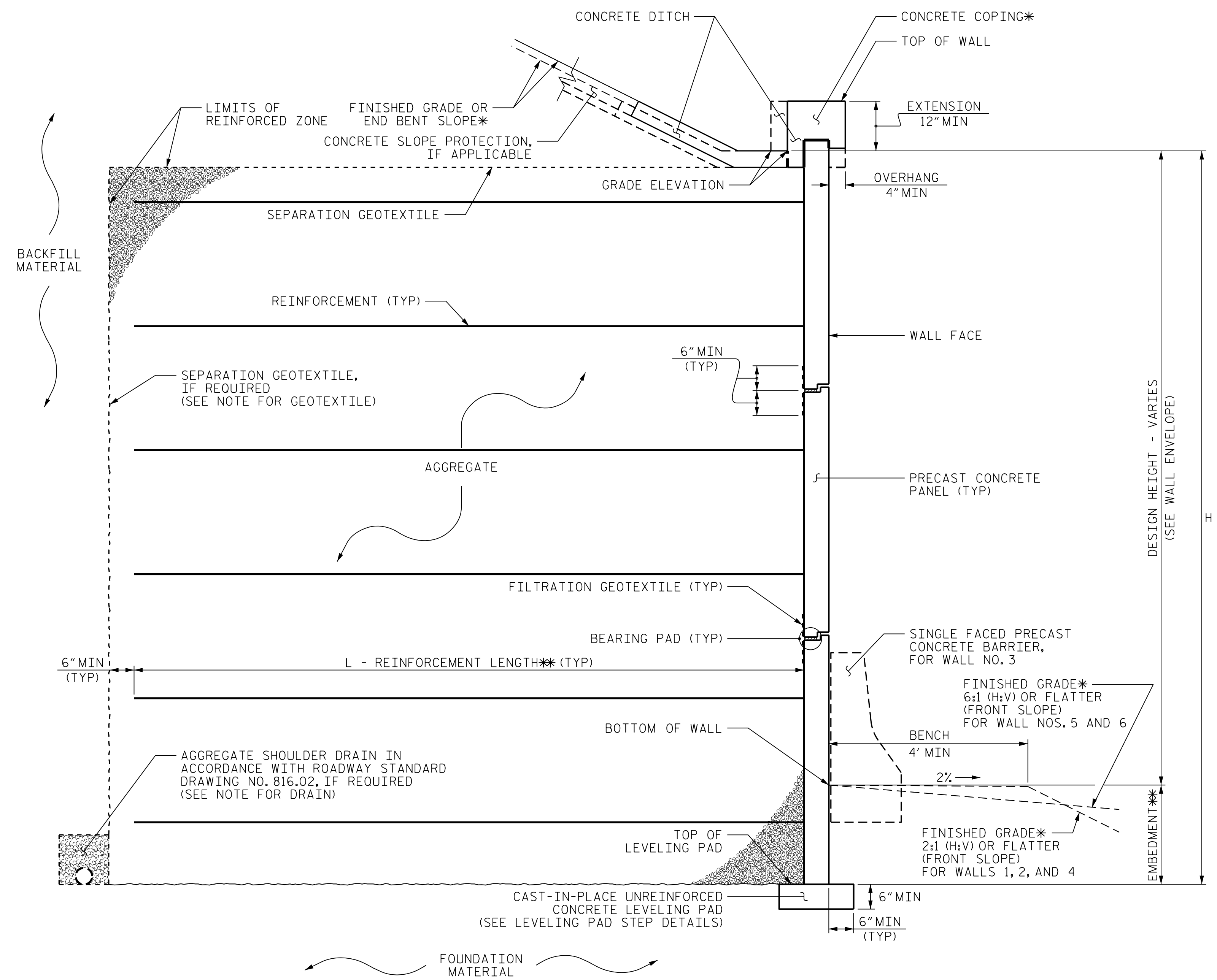
GEOTECHNICAL ENGINEER

Michael H. Stephens
C447682002314CC

ENGINEER

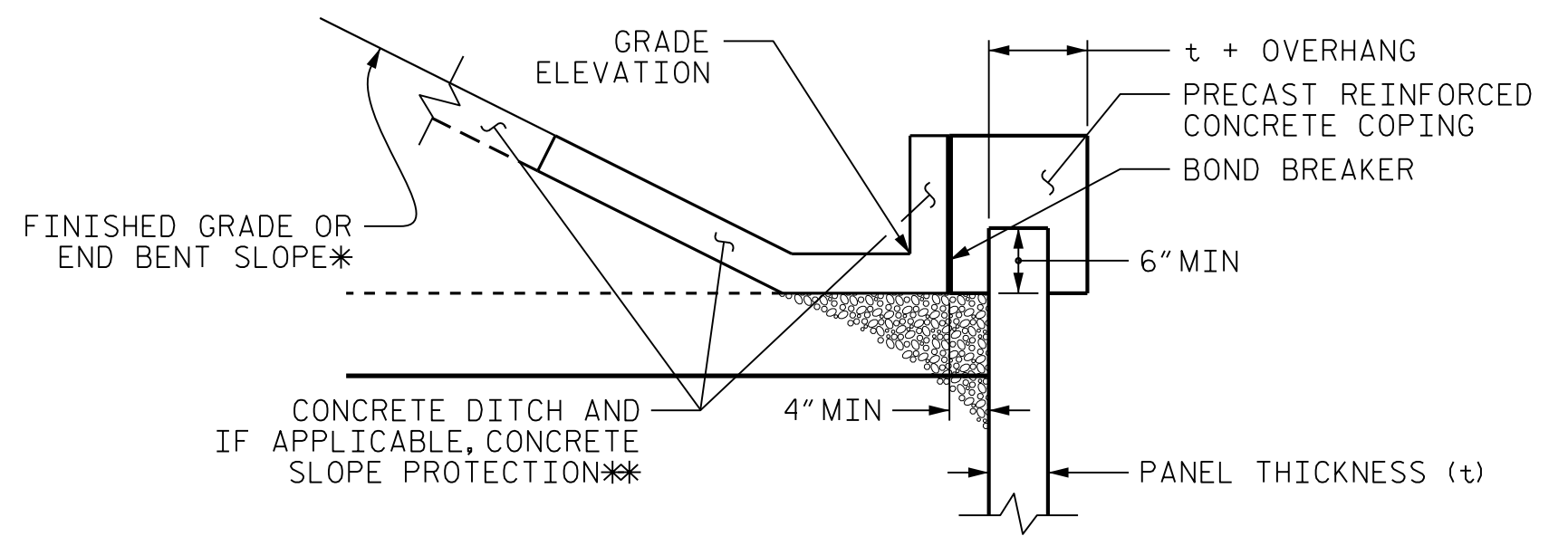
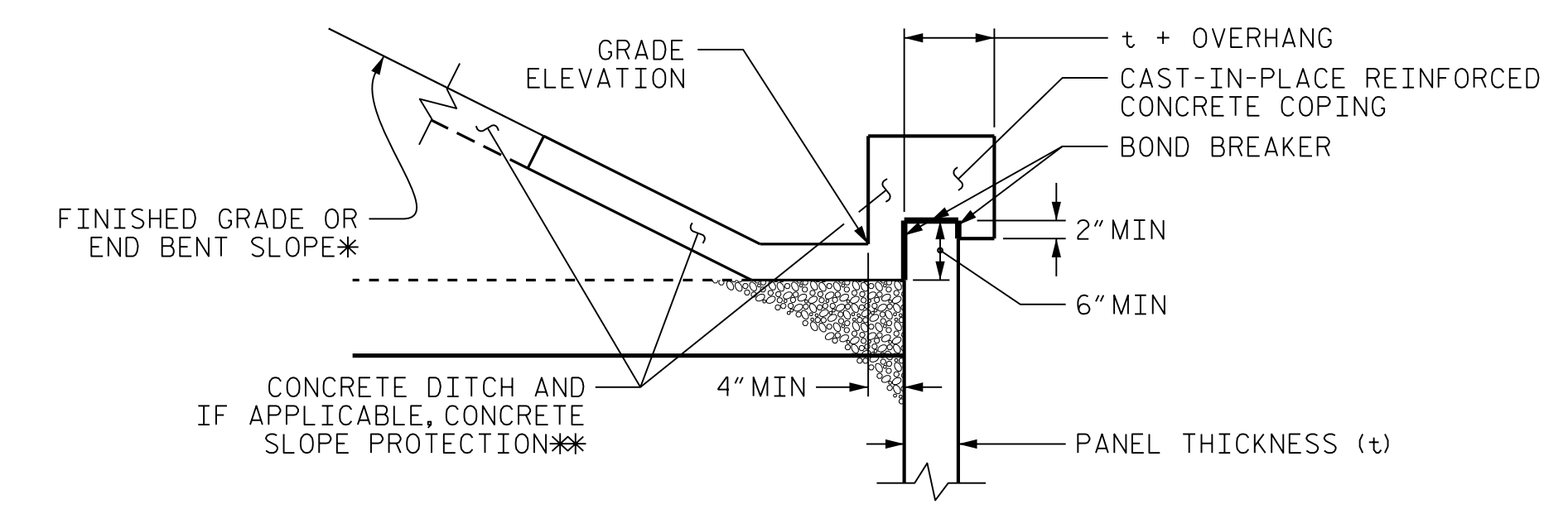
12/6/2016

**DOCUMENT NOT CONSIDERED FINAL
UNLESS ALL SIGNATURES COMPLETED**



MSE WALL WITH PRECAST PANELS - TYPICAL SECTION

*SEE COPING DETAILS AND PLANS FOR FINISHED GRADE OR END BENT SLOPE DETAILS.
**SEE MSE RETAINING WALLS PROVISION AND IF APPLICABLE, MSE WALL NOTES FOR EMBEDMENT AND REINFORCEMENT LENGTH REQUIREMENTS.



COPING DETAILS

*SEE PLANS FOR FINISHED GRADE OR END BENT SLOPE DETAILS.
**SEE CONCRETE DITCH BEHIND WALL DETAILS.

PROJECT NO.: 34497.1.2 (R-2707C)
CLEVELAND COUNTY
STATION: VARIES, SEE ROADWAY PLANS
SHEET 08 OF 09

PREPARED BY: MHS DATE: 11/17/16
REVIEWED BY: SY/SCC DATE: 11/17/16

**NORTH CAROLINA
DEPARTMENT OF TRANSPORTATION
DIVISION OF HIGHWAYS**

**GEOTECHNICAL
ENGINEERING UNIT**

REVISIONS					
NO.	BY	DATE	NO.	BY	DATE
1			3		
2			4		

SHEET NO. W-8