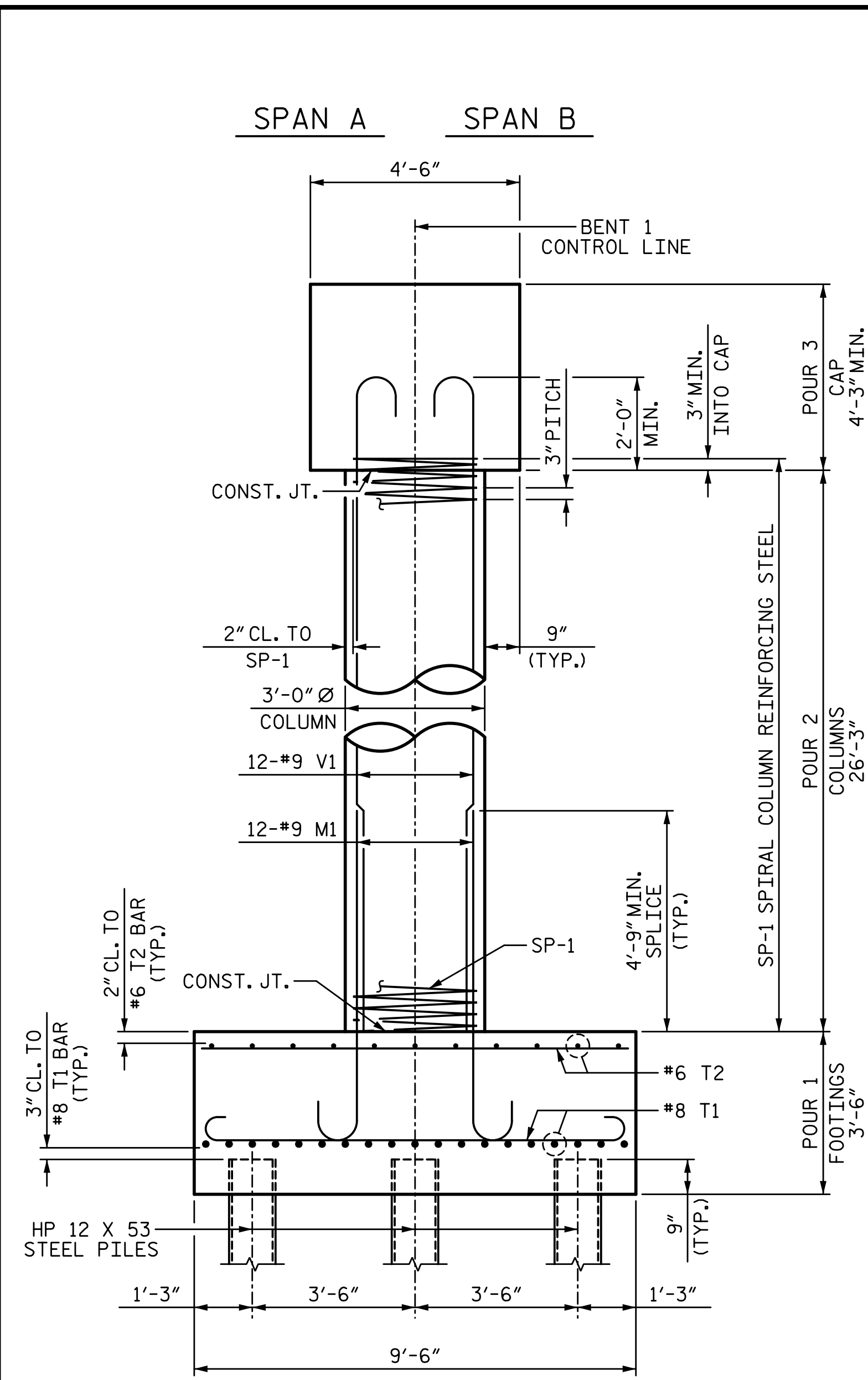
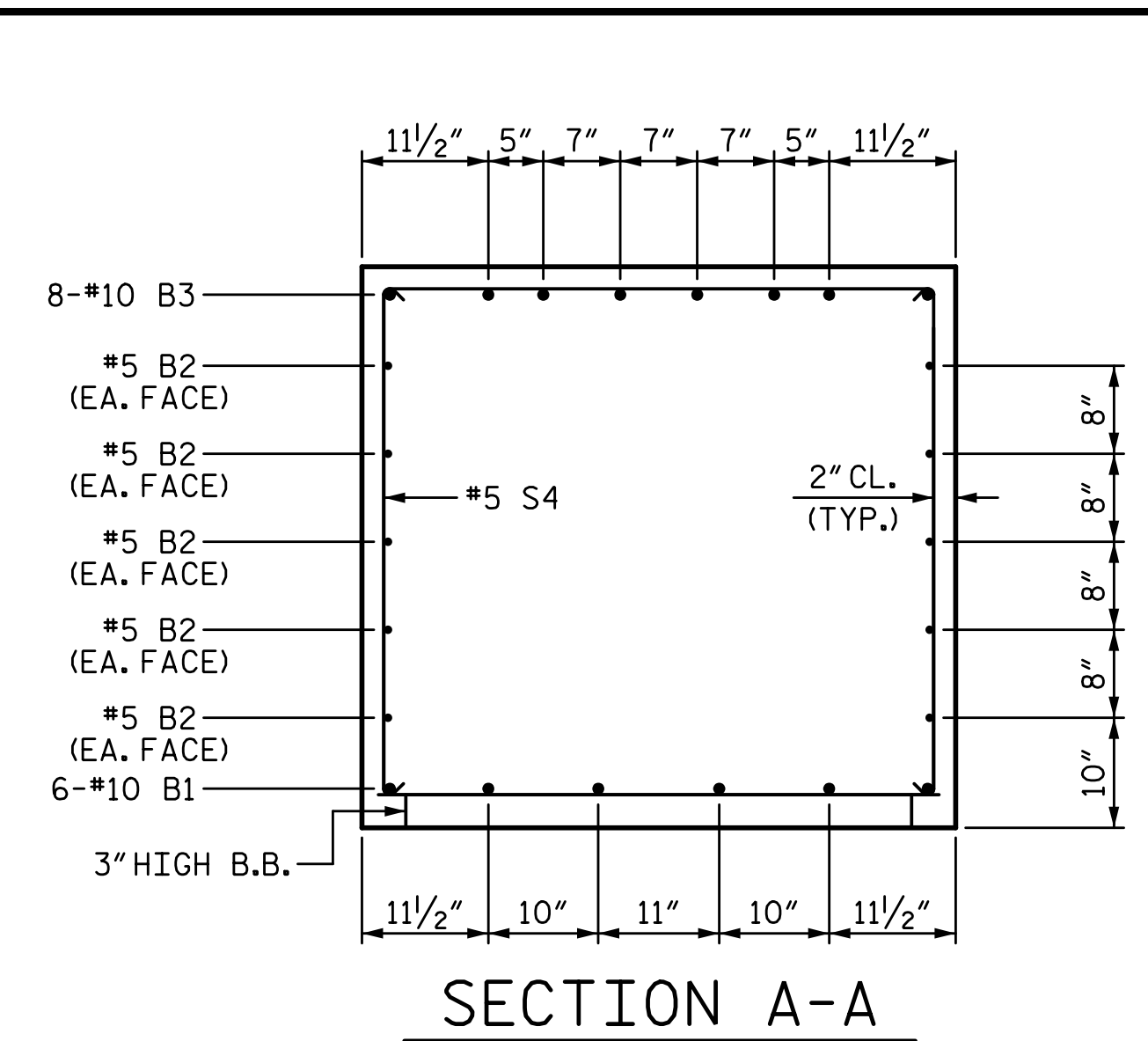


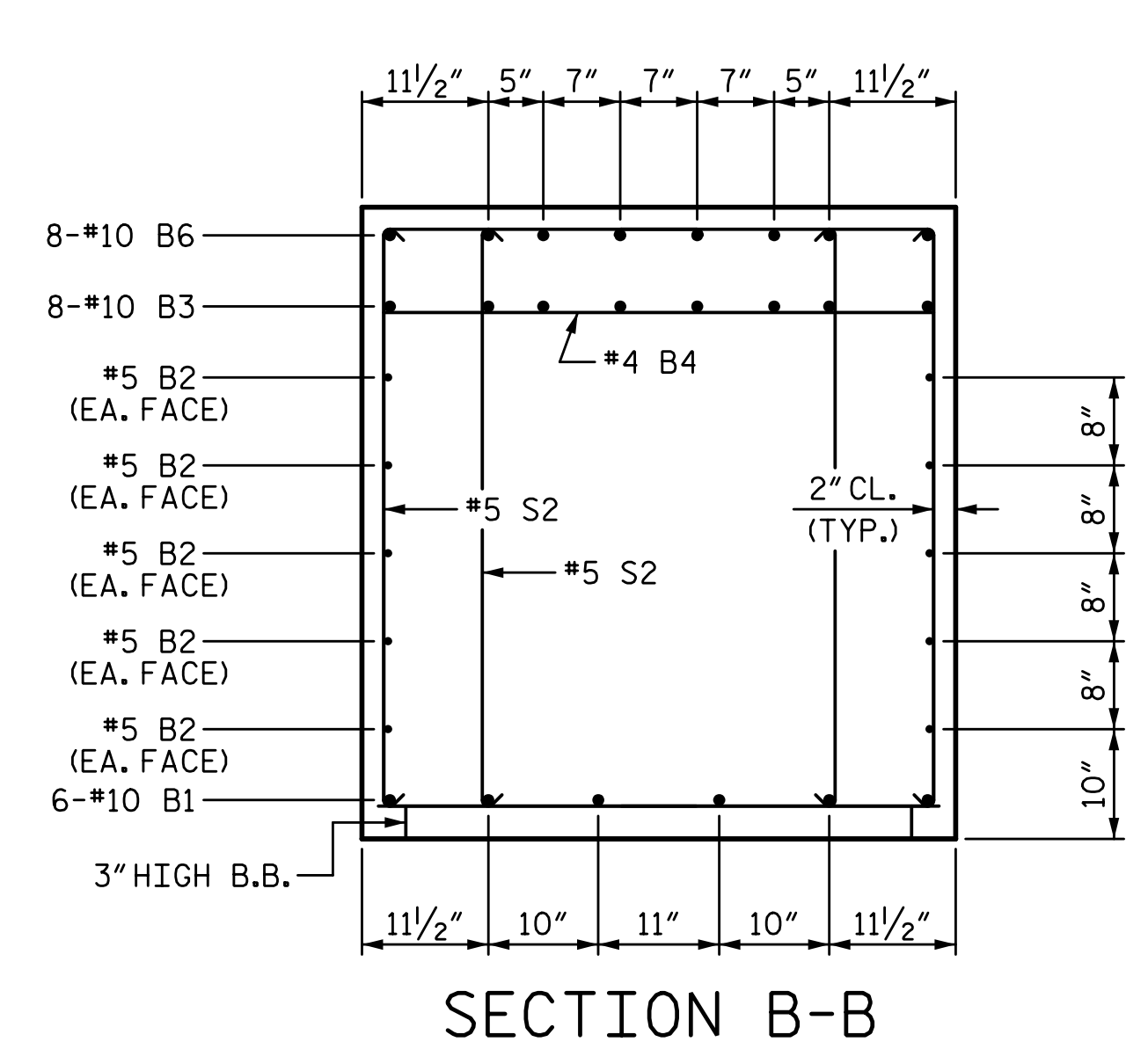
3/22/2017 8:32:04 AM G:\Projects\2014\U-3109A\Structures\Site 2\Site 2-Str 3 Bridge 435 (NBL)\Drawings\Final\403_U3109A_smu_bt1.dgn



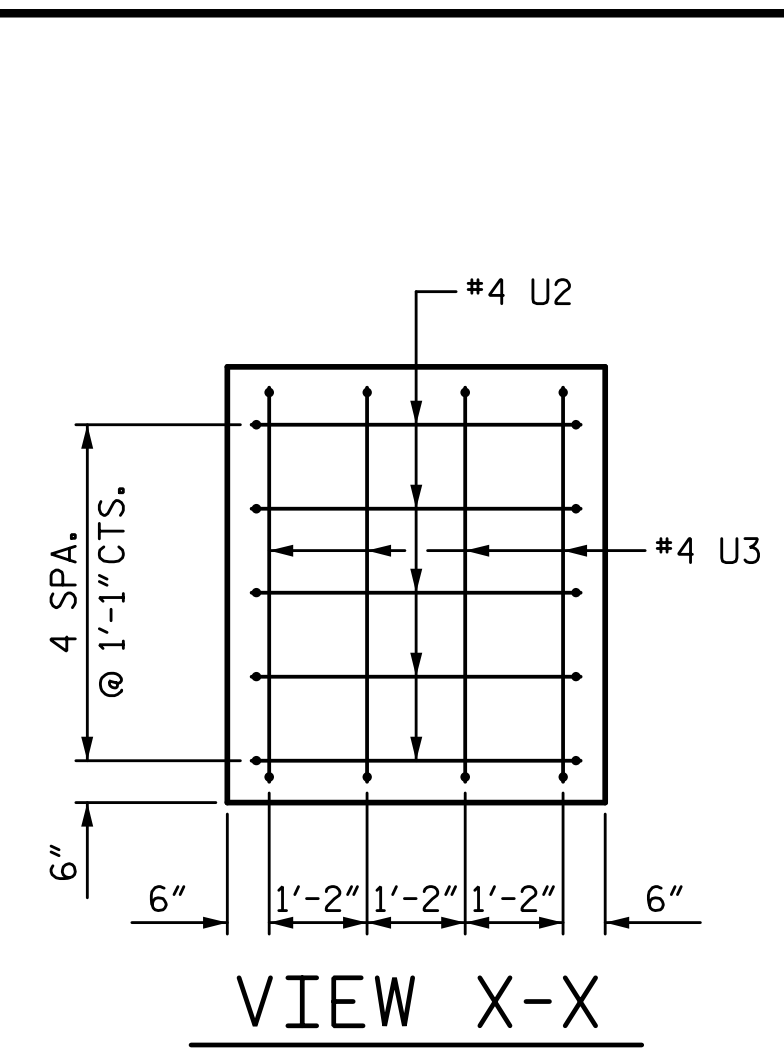
END ELEVATION
 DETAILS, DIMENSIONS & REINFORCING STEEL ARE TYPICAL FOR EACH COLUMN AND FOOTING



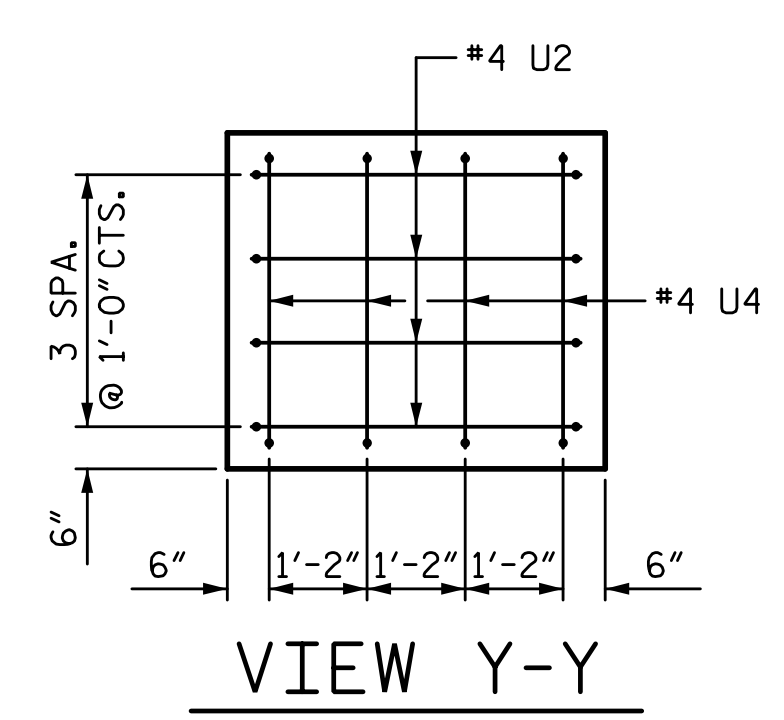
SECTION A-A



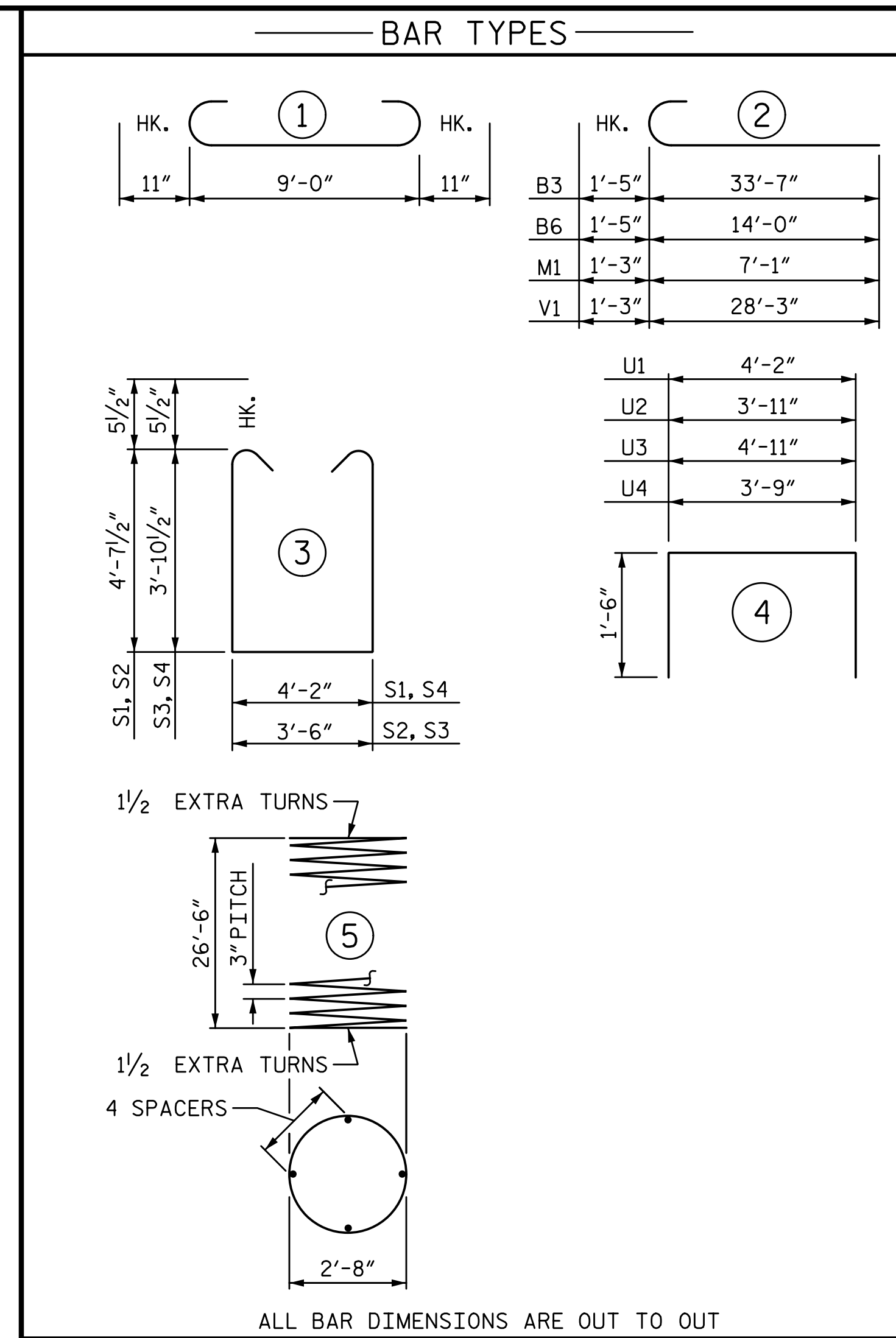
SECTION B-B



VIEW X-X



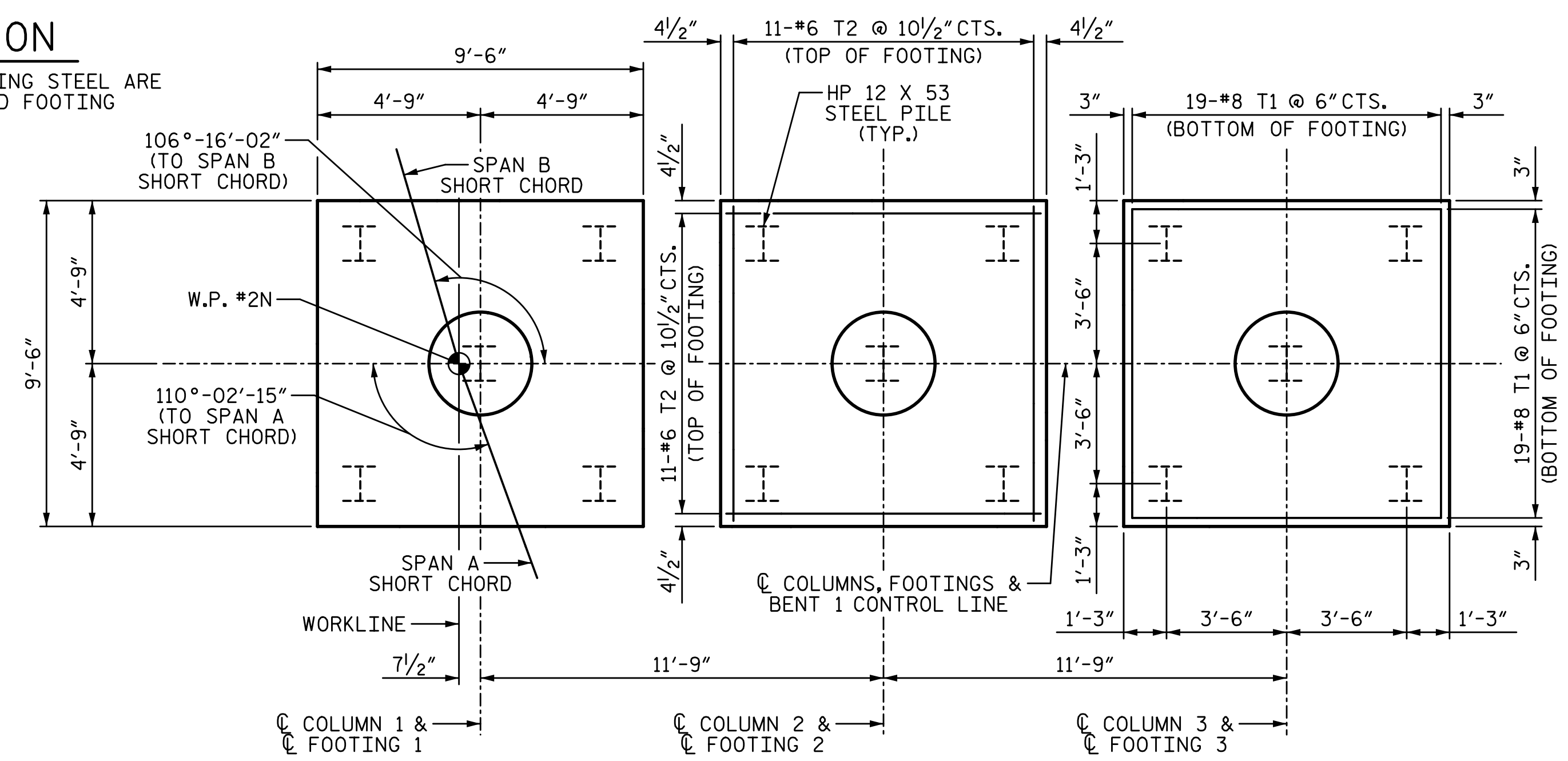
VIEW Y-Y



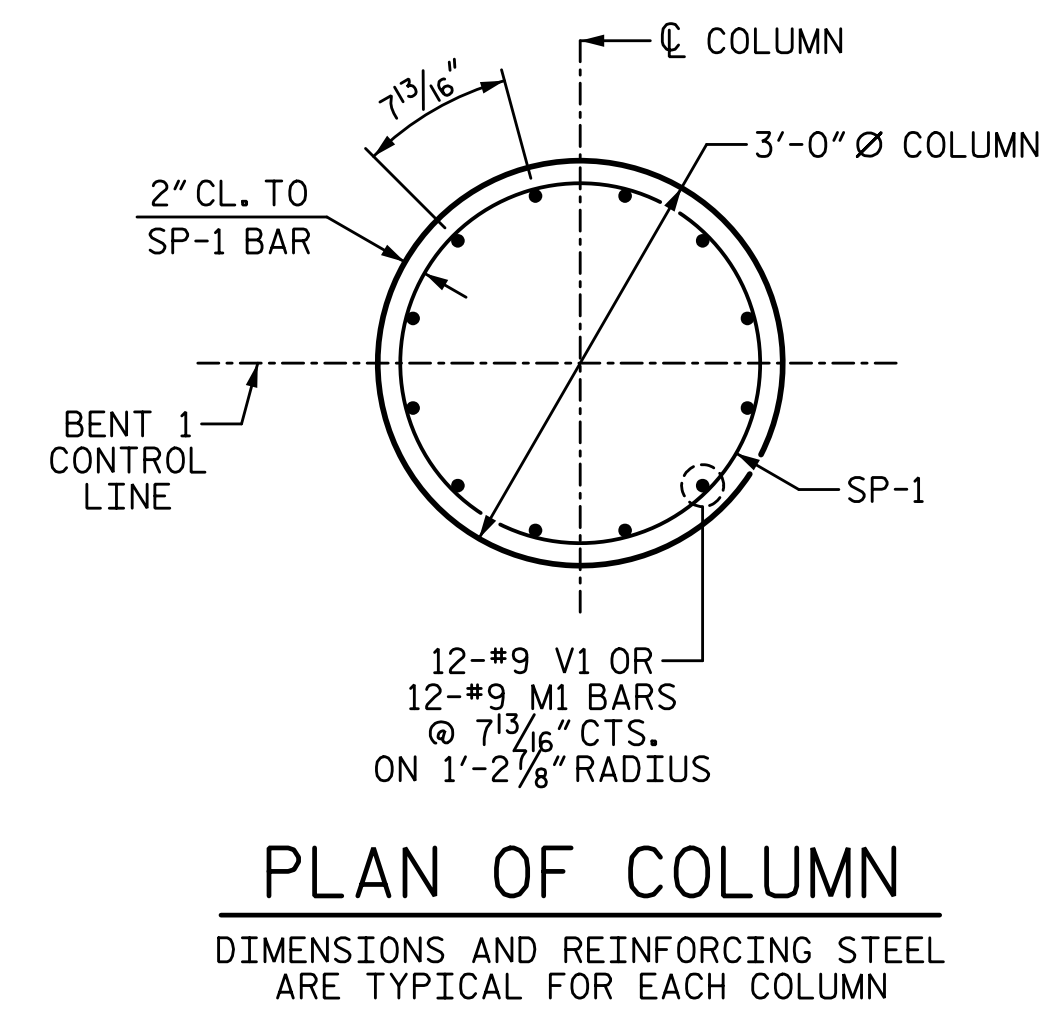
ALL BAR DIMENSIONS ARE OUT TO OUT

BILL OF MATERIAL					
BENT 1					
BAR NO.	SIZE	TYPE	LENGTH	WEIGHT	
B1	6	10	STR	33'-8"	869
B2	10	5	STR	33'-8"	351
B3	8	10	2	35'-0"	1205
B4	4	4	STR	4'-2"	11
B5	8	4	STR	9'-5"	50
B6	8	10	2	15'-5"	531
B7	8	4	STR	4'-6"	24
M1	36	9	2	8'-4"	1020
S1	9	5	3	14'-4"	135
S2	26	5	3	13'-8"	371
S3	32	5	3	12'-2"	406
S4	9	5	3	12'-10"	120
T1	114	8	1	10'-10"	3297
T2	66	6	STR	9'-0"	892
U1	40	4	4	7'-2"	191
U2	9	4	4	6'-11"	42
U3	4	4	4	7'-11"	21
U4	4	4	4	6'-9"	18
V1	36	9	2	29'-6"	3611
SP-1	3	*	5	899'-4"	1802
REINFORCING STEEL					13165 LB
SPIRAL COL. REINF. STEEL					1802 LB
CLASS "A" CONCRETE BREAKDOWN					
POUR 1 (FOOTINGS)				35.1	CY
POUR 2 (COLUMNS)				20.7	CY
POUR 3 (CAP)				27.1	CY
TOTAL				82.9	CY
HP 12 X 53 STEEL PILES					865 LF
NO. 15					15 EA
PILE DRIVING EQUIPMENT SETUP FOR HP 12 X 53 STEEL PILES					15 EA

* THE "SP-1" SPIRAL REINFORCING STEEL SHALL BE W20 OR D-20 COLD DRAWN WIRE OR #4 PLAIN OR DEFORMED BAR.



PLAN OF FOOTINGS
 PILE PLACEMENT, DIMENSIONS AND REINFORCING STEEL ARE TYPICAL FOR EACH FOOTING



PLAN OF COLUMN
 DIMENSIONS AND REINFORCING STEEL ARE TYPICAL FOR EACH COLUMN

PROJECT NO. U-3109A
ALAMANCE COUNTY
 STATION: 146+61.35 -L-

SHEET 2 OF 2

STATE OF NORTH CAROLINA
 DEPARTMENT OF TRANSPORTATION
 RALEIGH
 SUBSTRUCTURE

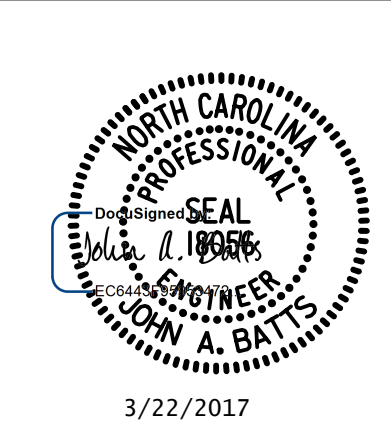
BENT 1
 (NBL)

REVISIONS					
NO.	BY:	DATE:	NO.	BY:	DATE:
1			3		
2			4		

SHEET NO. S03-40
 TOTAL SHEETS S03-53

DRAWN BY: T. BANKOVICH DATE: 9-15
 CHECKED BY: J.A. BATTS DATE: 9-15
 DESIGN ENGINEER OF RECORD: J.A. BATTS DATE: 9-15

PLANS PREPARED BY:
SIMPSON ENGINEERS & ASSOCIATES
 5640 Dillard Drive
 Suite 200
 Cary, NC 27518
 (919) 852-0468
 (919) 852-0598 (Fax)
 www.simpsonengr.com
 LICENSURE NO. C-2521



3/22/2017

STR. #3