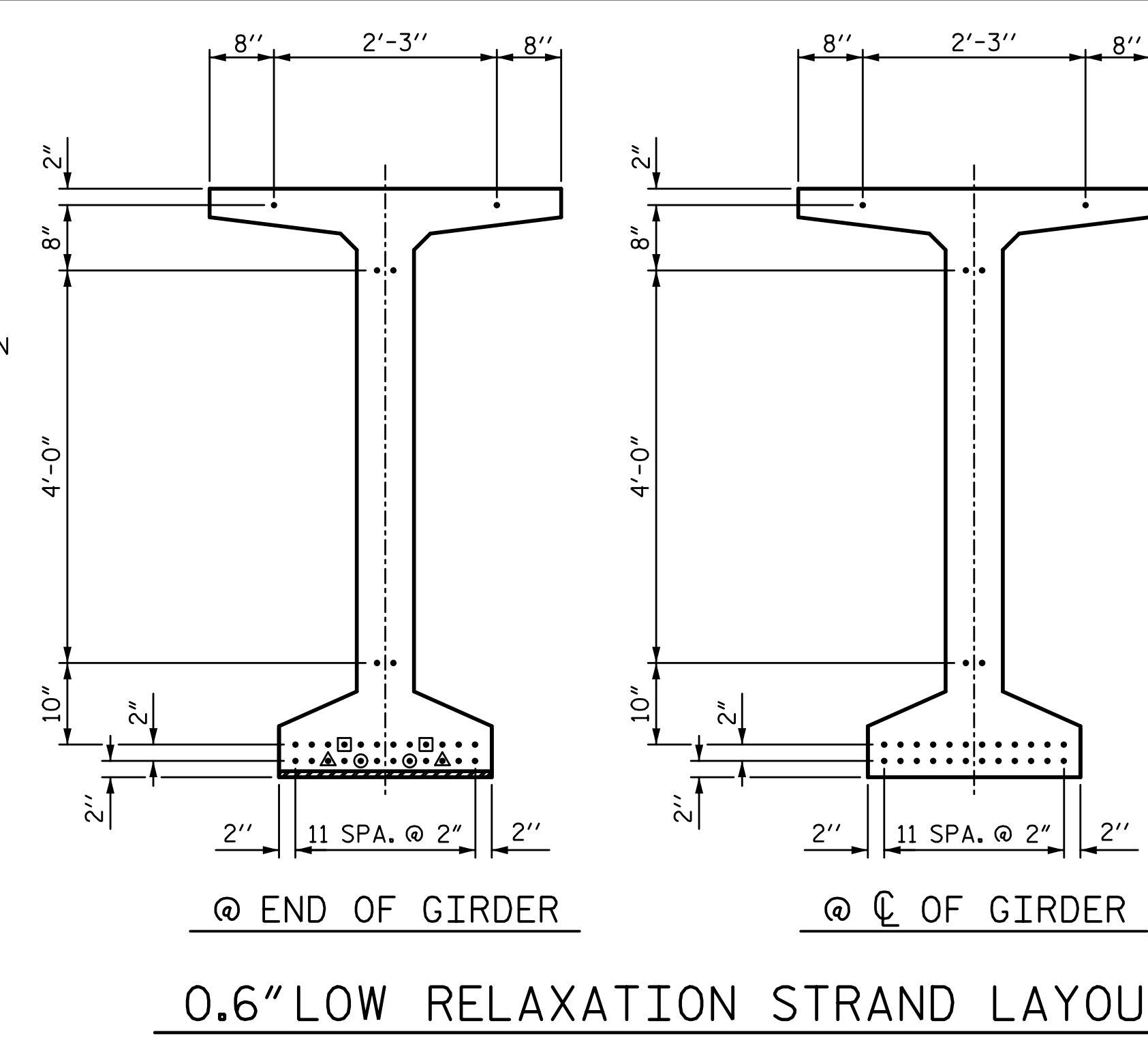
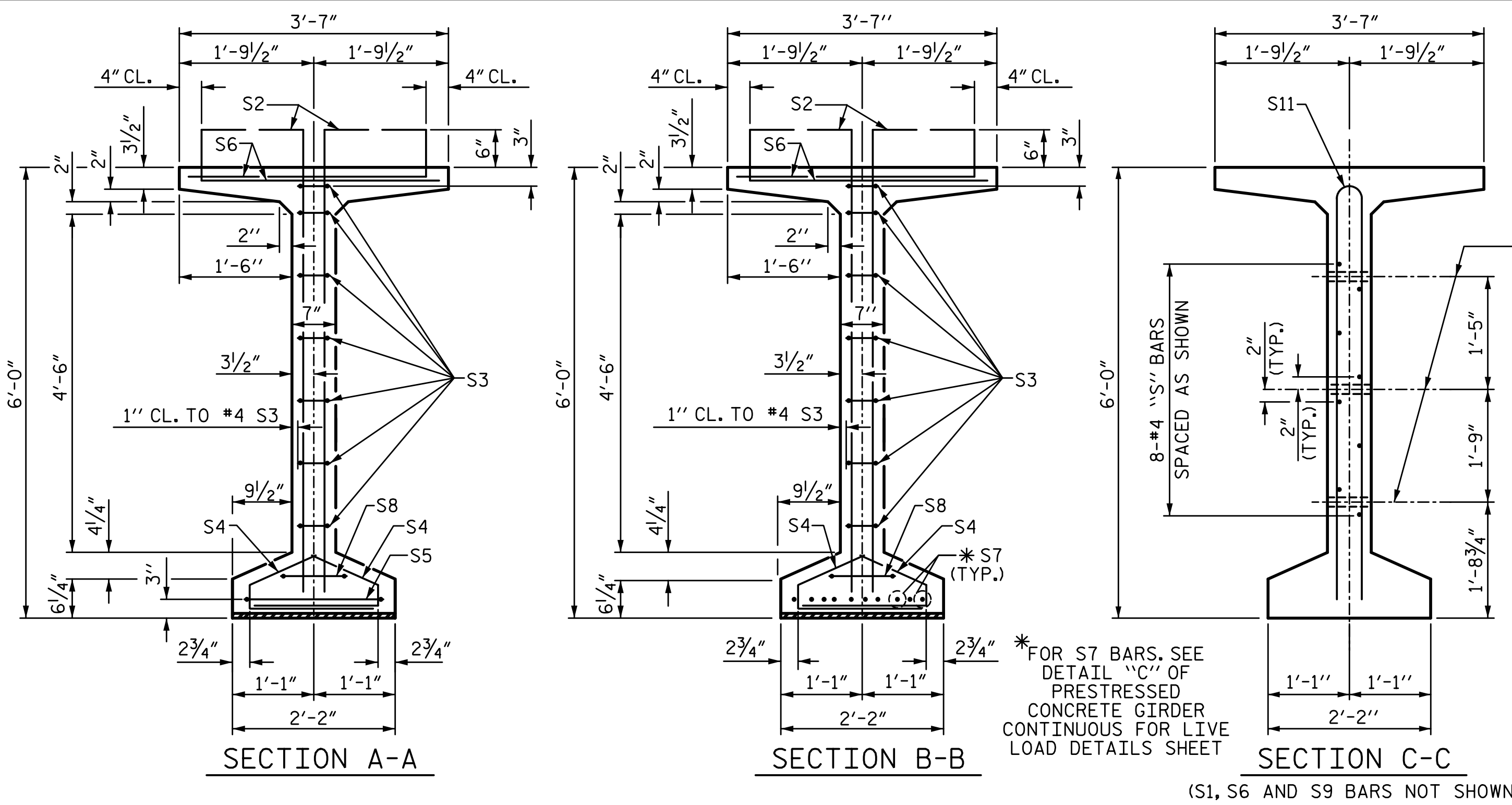
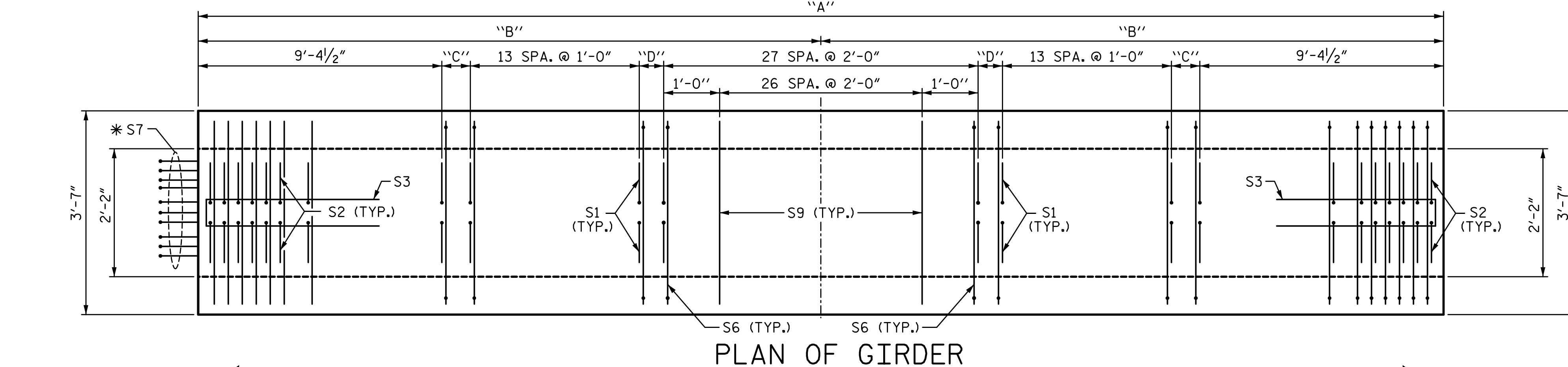
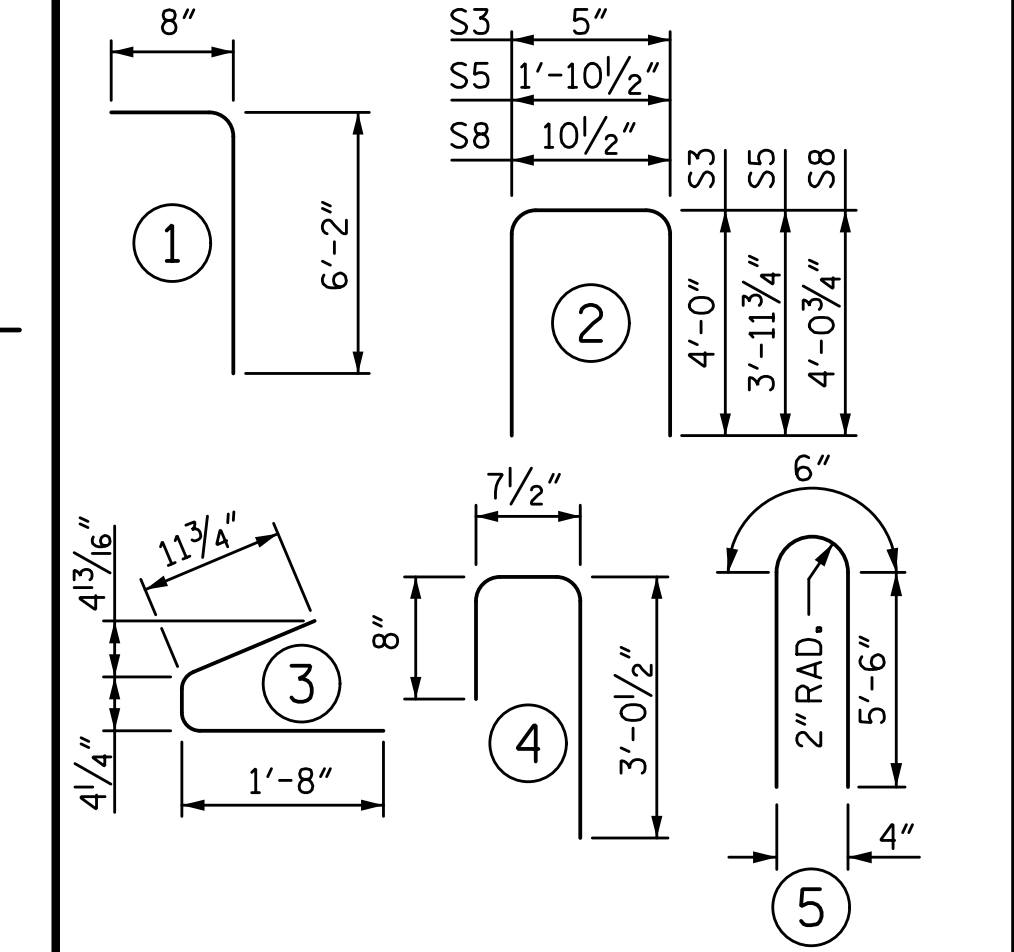


9/11/2015 10:16:44 AM G:\Projects\2014\U-3109A\Structures\Site 2\Site 2-Str 2 Bridge 436 (SBL)\Drawings\Final\402_U3109A_smu.pcg.dgn

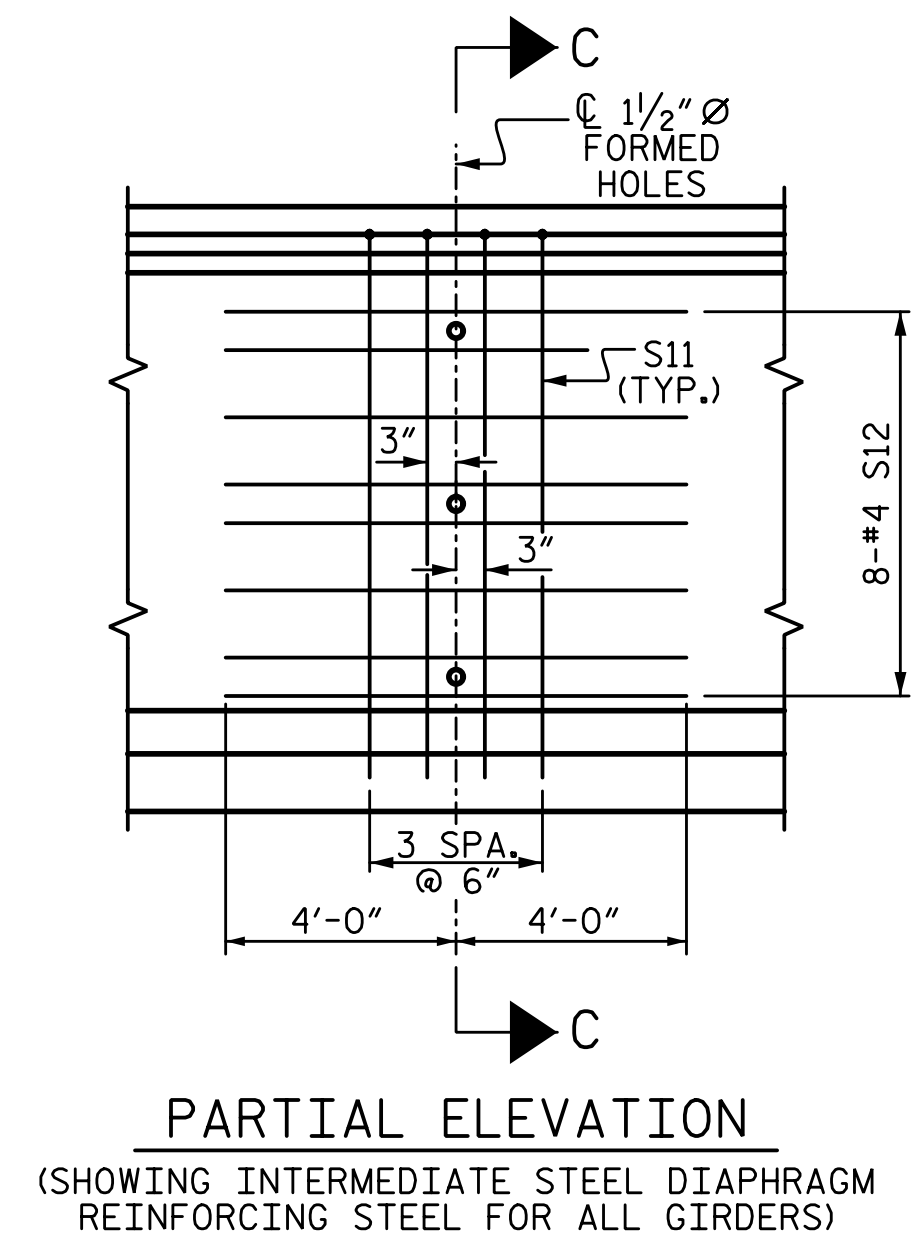
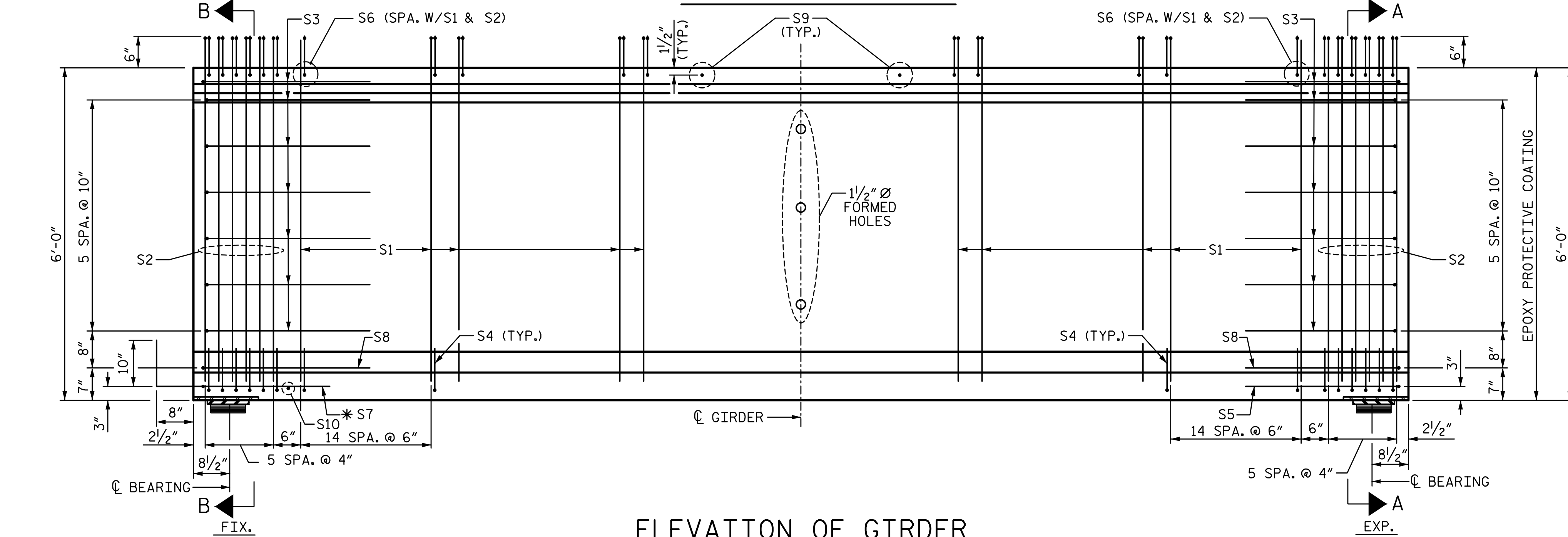


0.6" Ø L. R. GRADE 270 STRANDS					
AREA (SQ. INCHES)	ULTIMATE STRENGTH (LBS. PER STRAND)	APPLIED PRESTRESS (LBS. PER STRAND)			
0.217	58,600	43,950			
REINFORCING STEEL FOR ONE GIRDER					
BAR NO.	SIZE	TYPE	LENGTH	WEIGHT	
S1	172	4	1	6'-10"	785
S2	24	5	1	6'-10"	171
S3	14	4	2	8'-5"	79
S4	84	4	3	3'-0"	168
S5	1	5	2	9'-10"	10
S6	196	5	4	4'-4"	886
*S7	10	5	STR	3'-8"	38
S8	2	5	2	9'-0"	19
S9	27	5	STR	3'-3"	92
S10	1	3	STR	1'-10"	1
S11	4	5	5	11'-6"	48
S12	8	4	STR	8'-0"	43

* NOTE: S7 BARS SHALL BE BENT BEFORE SHIPMENT. HEAT BENDING SHALL NOT BE ALLOWED.



- FULLY DEBONDED STRAND
- ◻ STRAND DEBONDED FOR 16'-0" FROM END OF GIRDER
- ▲ STRAND DEBONDED FOR 8'-0" FROM END OF GIRDER
- STRAND DEBONDED FOR 24'-0" FROM END OF GIRDER



QUANTITIES FOR ONE GIRDER			
SPAN D	REINFORCING STEEL	6,000 PSI CONCRETE	0.6" Ø L. R. STRANDS
	LB.	C.Y.	No.
ALL GIRDERS	2340	21.7	30
GIRDERS REQUIRED			
NUMBER	LENGTH	TOTAL LENGTH	
4	"A"	404.24	

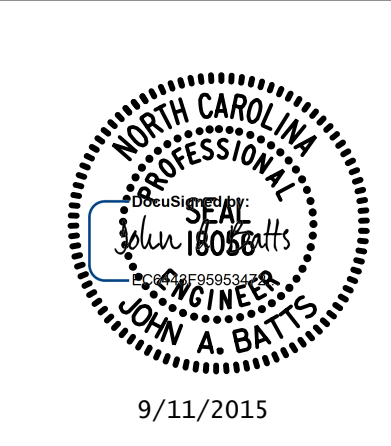
PROJECT NO. U-3109A
 ALAMANCE COUNTY
 STATION: 146+61.35 -L-

STATE OF NORTH CAROLINA
 DEPARTMENT OF TRANSPORTATION
 RALEIGH
 SUPERSTRUCTURE
 72" PRESTRESSED CONCRETE
 MODIFIED BULB TEE
 CONTINUOUS FOR LIVE LOAD
 SPAN D
 (SBL)

DRAWN BY: T. BANKOVICH DATE: 9-15
 CHECKED BY: J.A. BATTS DATE: 9-15
 DESIGN ENGINEER OF RECORD: J.A. BATTS DATE: 9-15

SEE GIRDER DIMENSION TABLE ON "PRESTRESSED CONCRETE GIRDER CONTINUOUS FOR LIVE LOAD DETAILS" SHEET FOR DIMENSIONS "A", "B", "C" AND "D"

PLANS PREPARED BY:
 SIMPSON ENGINEERS & ASSOCIATES
 5640 Dillard Drive
 Suite 200
 Cary, NC 27518
 (919) 852-0468
 (919) 852-0598 (Fax)
 www.simpsonengr.com
 LICENSURE NO. C-2521



REVISIONS					
NO.	BY:	DATE:	NO.	BY:	DATE:
1			3		
2			4		

SHEET NO. S02-22
 TOTAL SHEETS S02-51

STR. #2