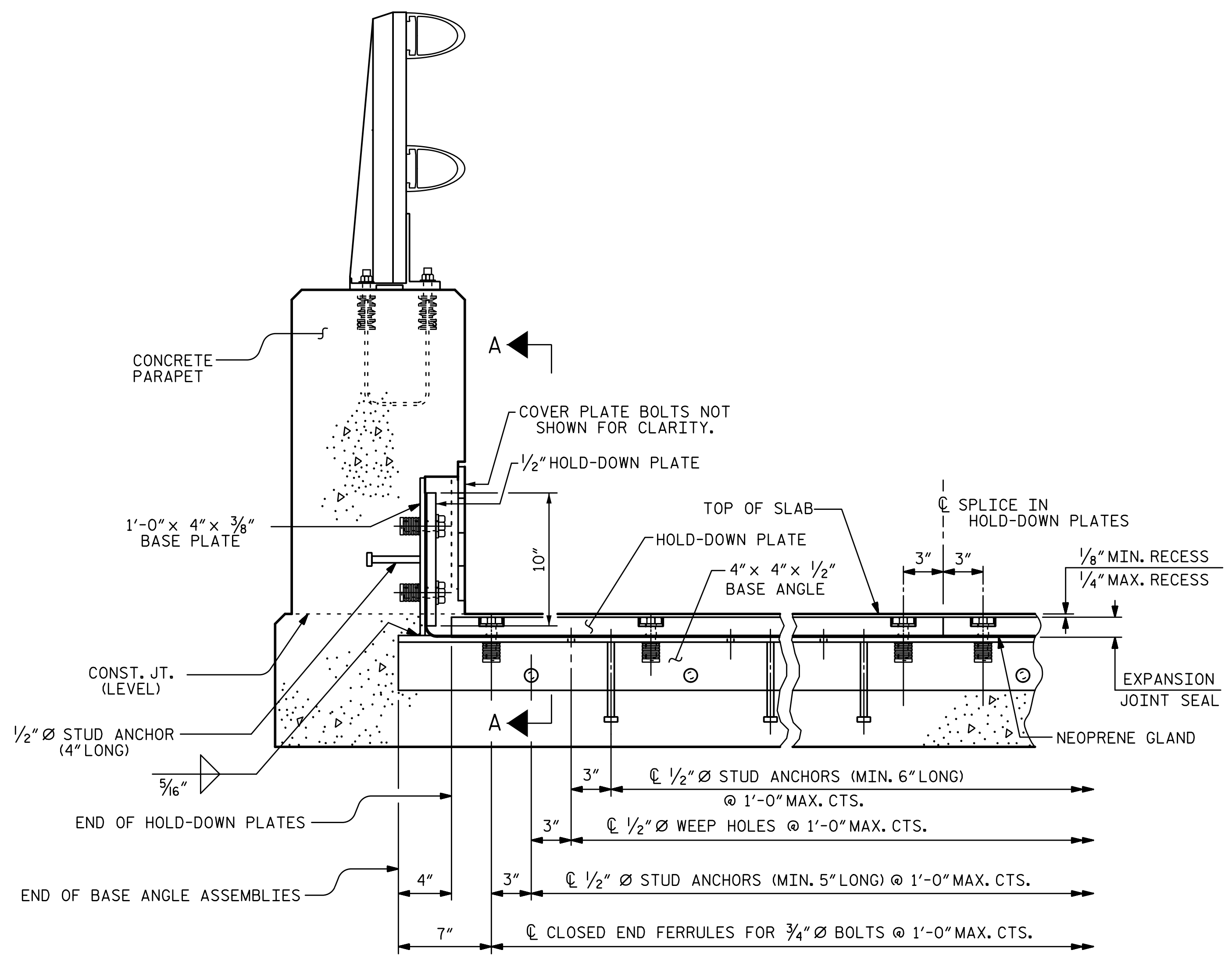
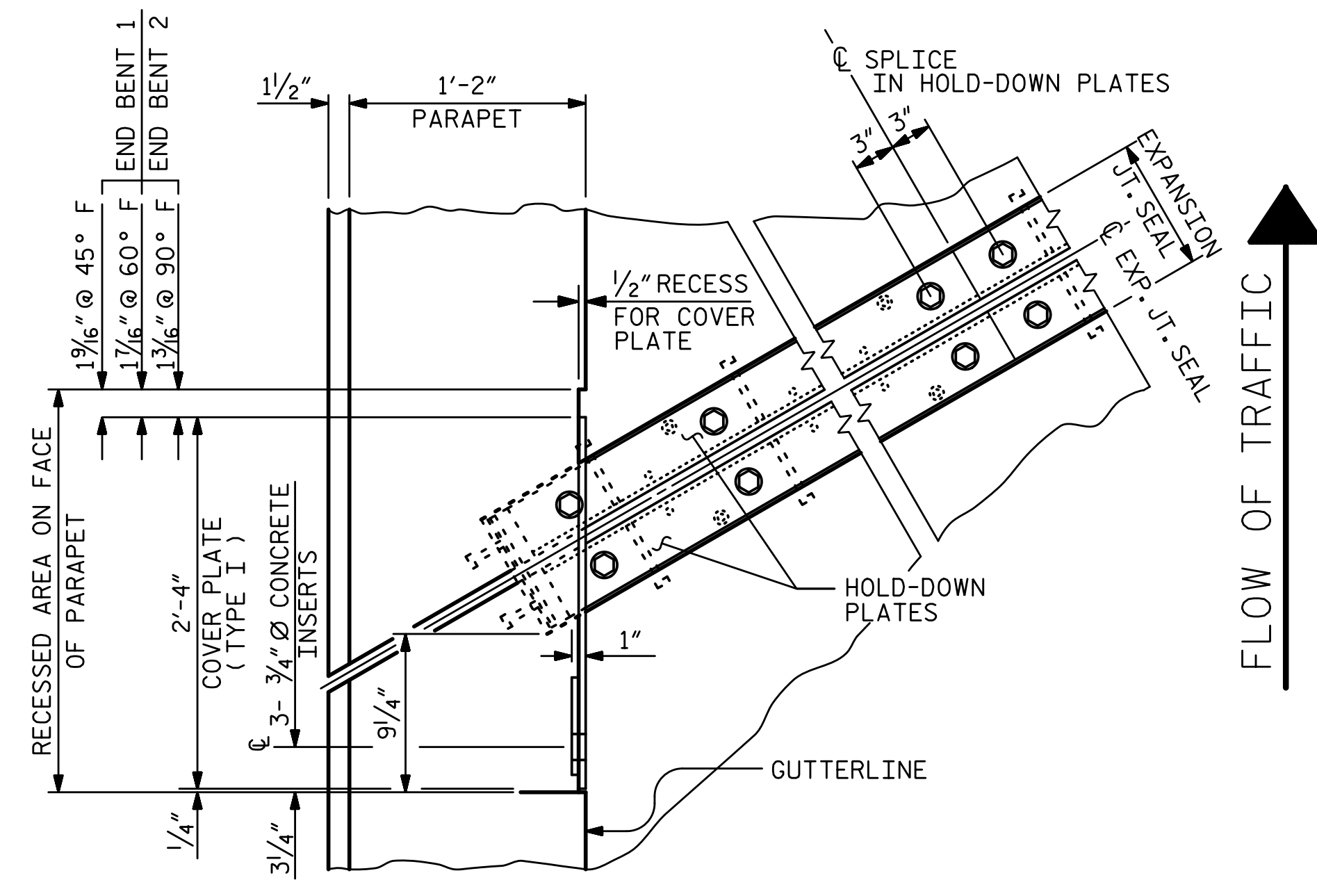


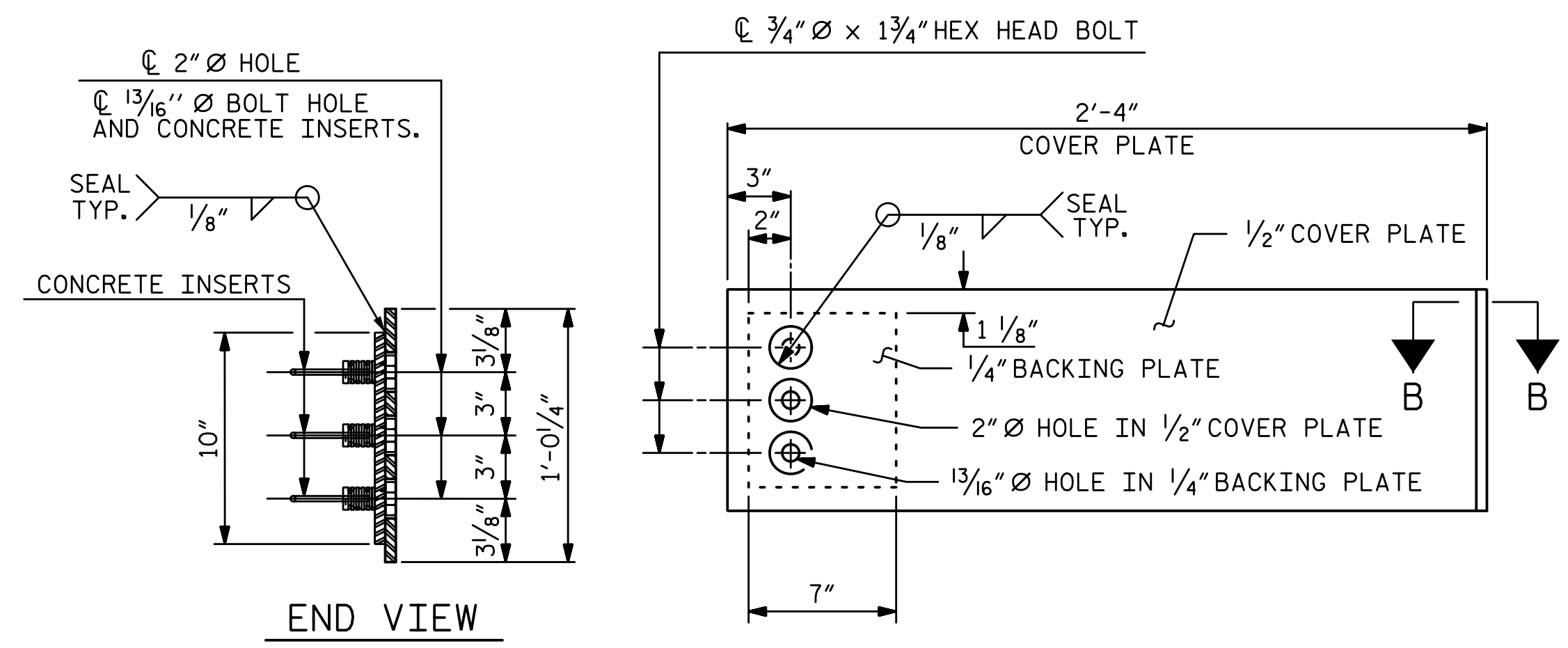
2/10/2017 9:09:06 AM G:\Projects\2014\U-3109A\Structures\Site 1-Bridge 434 (NBL)\Drawings\Final\401_U3109A_SMU_e.js.dgn



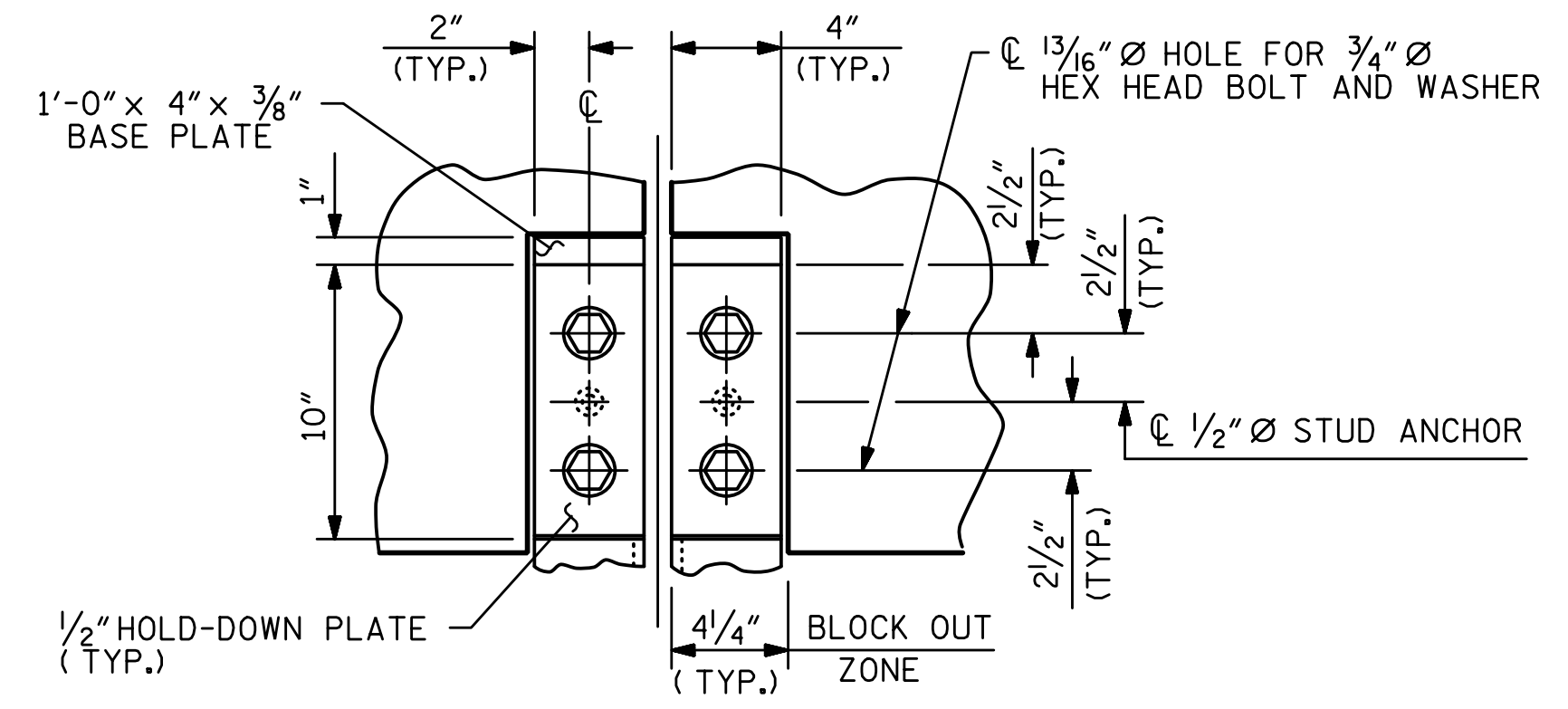
SECTION THRU PARAPET NORMAL TO JOINT
(LEFT SIDE)



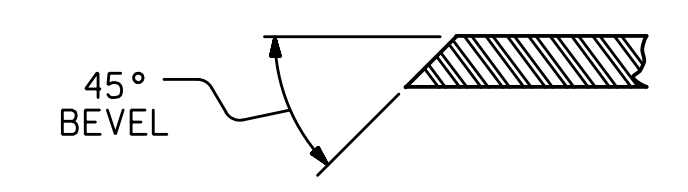
PLAN OF EXPANSION JOINT SEALS
(LEFT SIDE)



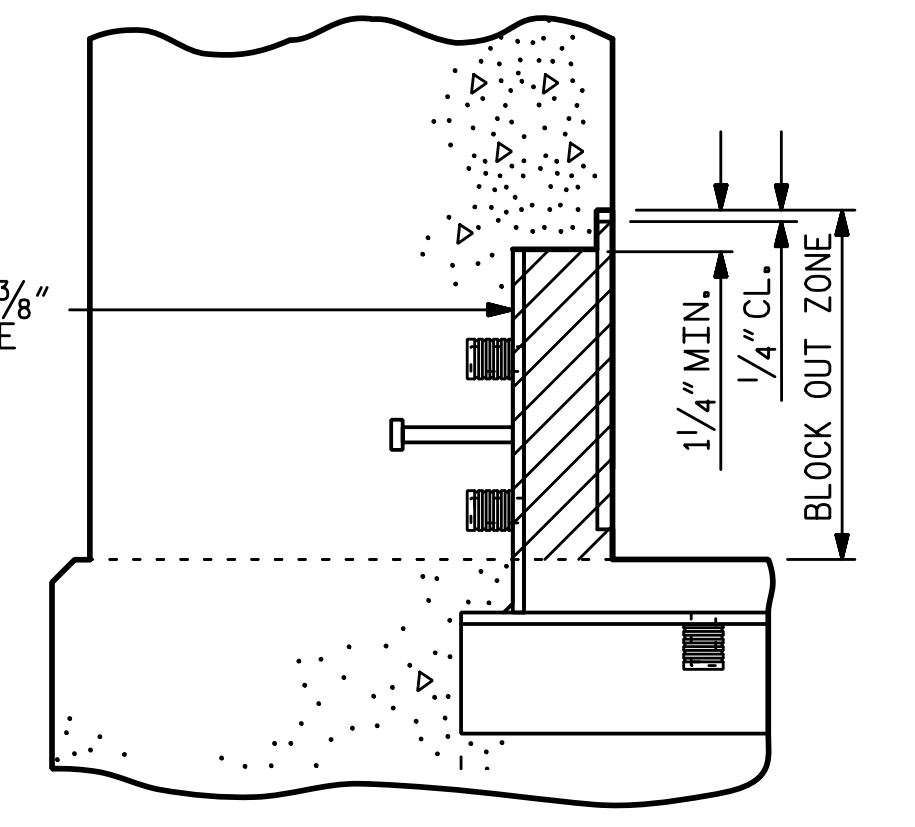
COVER PLATE DETAILS



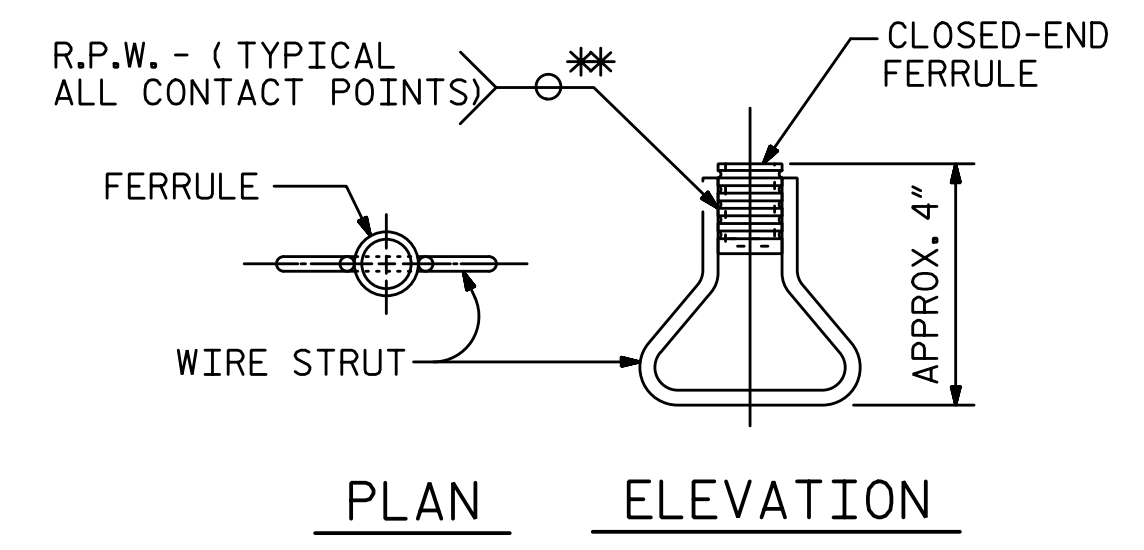
SECTION A-A



SECTION B-B



BLOCK OUT DETAIL
(SEE "SECTION A-A" FOR OTHER DETAILS)



CONCRETE INSERT

* EACH WELDED ATTACHMENT OF WIRE TO FERRULE SHALL DEVELOP THE TENSILE STRENGTH OF THE WIRE.

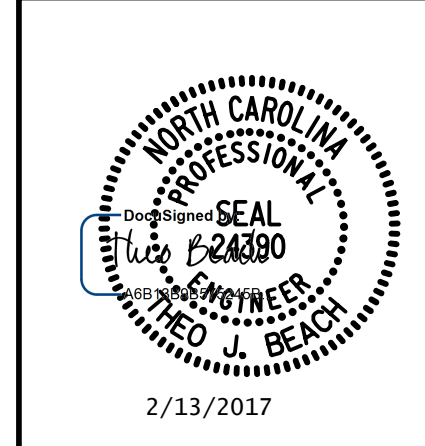
PROJECT NO. U-3109A
ALAMANCE COUNTY
STATION: 26+54.73 -NBL-

SHEET 2 OF 4

STATE OF NORTH CAROLINA
DEPARTMENT OF TRANSPORTATION
RALEIGH
SUPERSTRUCTURE
EXPANSION JOINT SEAL
DETAILS FOR
CONCRETE PARAPET
LEFT SIDE

REVISIONS				SHEET NO.	
NO.	BY:	DATE:	NO.	BY:	DATE:
1			3		
2			4		

PLANS PREPARED BY:
SIMPSON ENGINEERS & ASSOCIATES
5640 Dillard Drive
Suite 200
Cary, NC 27518
(919) 852-0468
(919) 852-0598 (Fax)
www.simpsonengr.com
LICENSURE NO. C-2521



DRAWN BY: S. D. COOPER DATE: 5-15
CHECKED BY: B.S. COX DATE: 5-15
DESIGN ENGINEER OF RECORD: T.J. BEACH DATE: 5-15

TOTAL SHEETS
S01-49