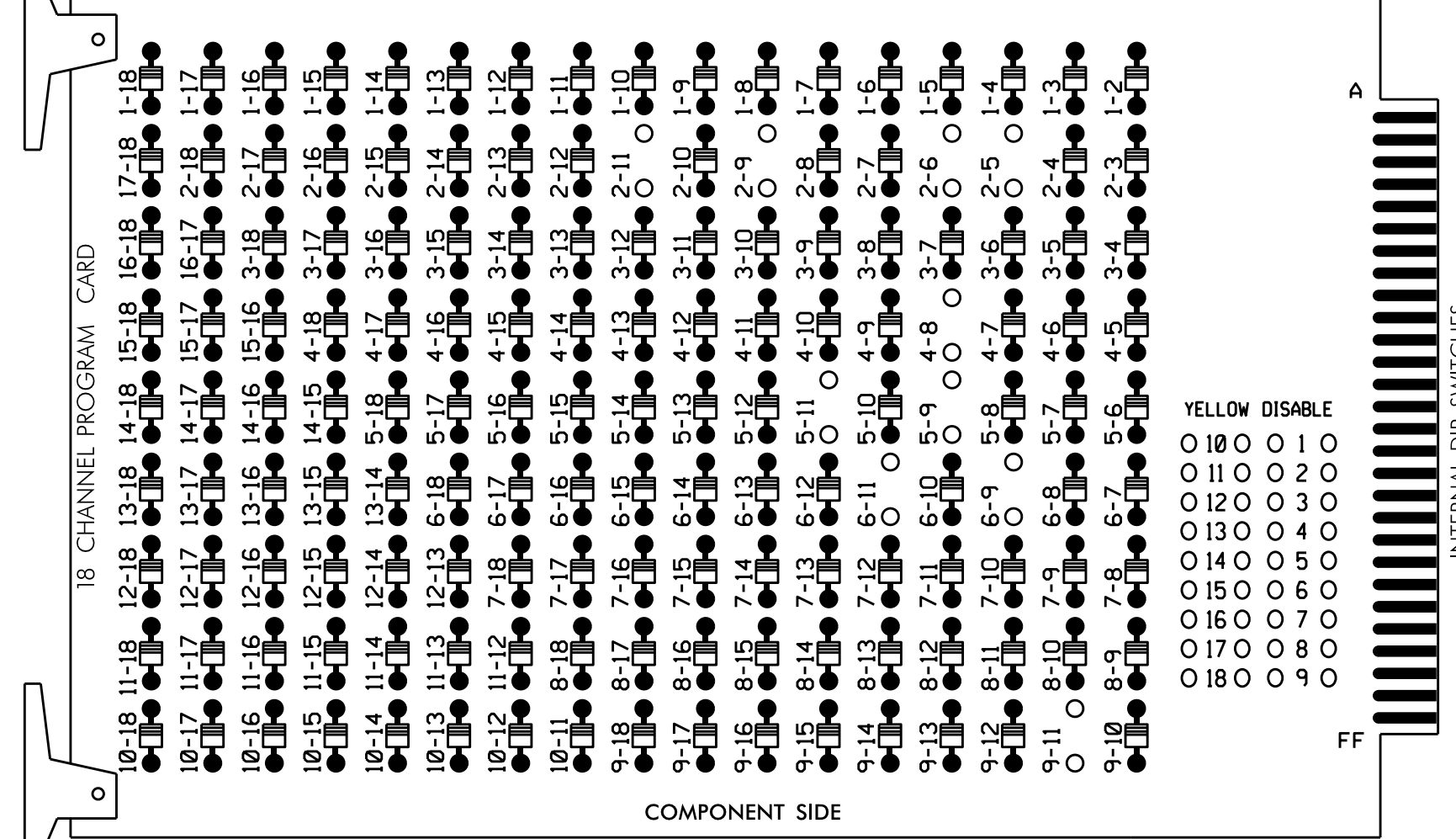


EDI MODEL 2018ECL-NC CONFLICT MONITOR PROGRAMMING DETAIL

(remove jumpers and set switches as shown)

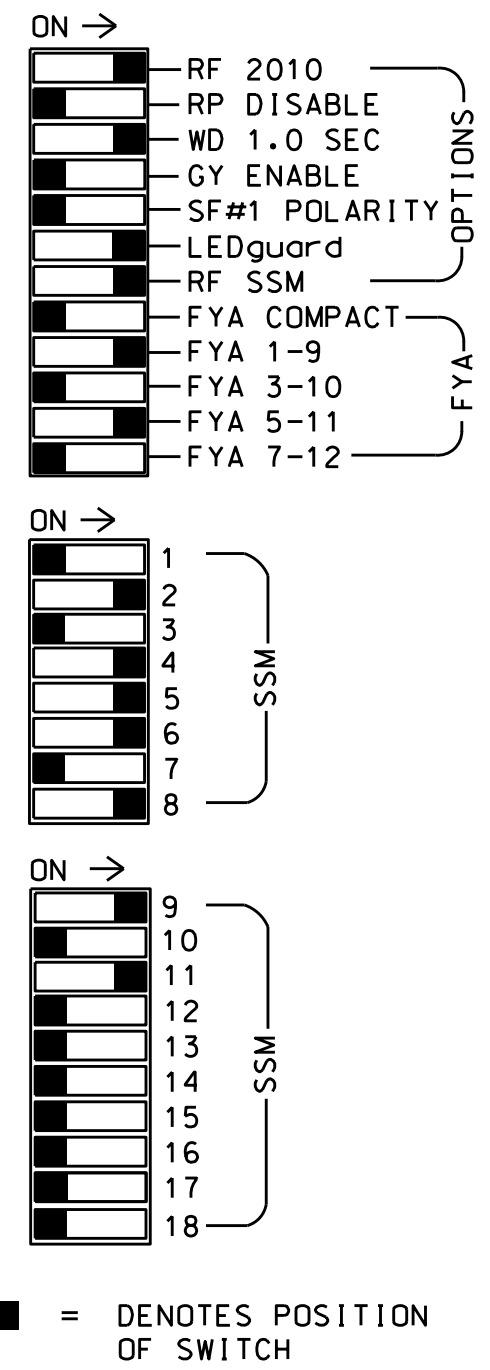
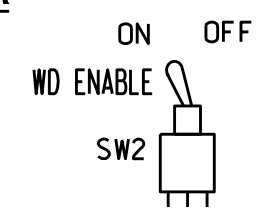
REMOVE DIODE JUMPERS 2-5, 2-6, 2-9, 2-11, 4-8, 5-9, 5-11, 6-9, 6-11 and 9-11.



REMOVE JUMPERS AS SHOWN

NOTES:

- Card is provided with all diode jumpers in place. Removal of any jumper allows its channels to run concurrently.
- Ensure jumpers SEL2-SEL5 and SEL9 are present on the monitor board.
- Ensure that Red Enable is active at all times during normal operation.
- Connect serial cable from conflict monitor to comm. port 1 of 2070 controller. Ensure conflict monitor communicates with 2070.



NOTES

- To prevent "flash-conflict" problems, insert red flash program blocks for all unused vehicle load switches in the output file. The installer shall verify that signal heads flash in accordance with the Signal Plans.
- Program phases 4 and 8 for Dual Entry.
- Enable Simultaneous Gap-Out for all phases.
- Program phases 2 and 6 for Variable Initial and Gap Reduction.
- Program phases 2 and 6 for Start Up In Green.
- Program phases 2 and 6 for Yellow Flash, and overlap 1 as Wag Overlaps.
- The cabinet and controller are part of the NC 119 Closed Loop System.

EQUIPMENT INFORMATION

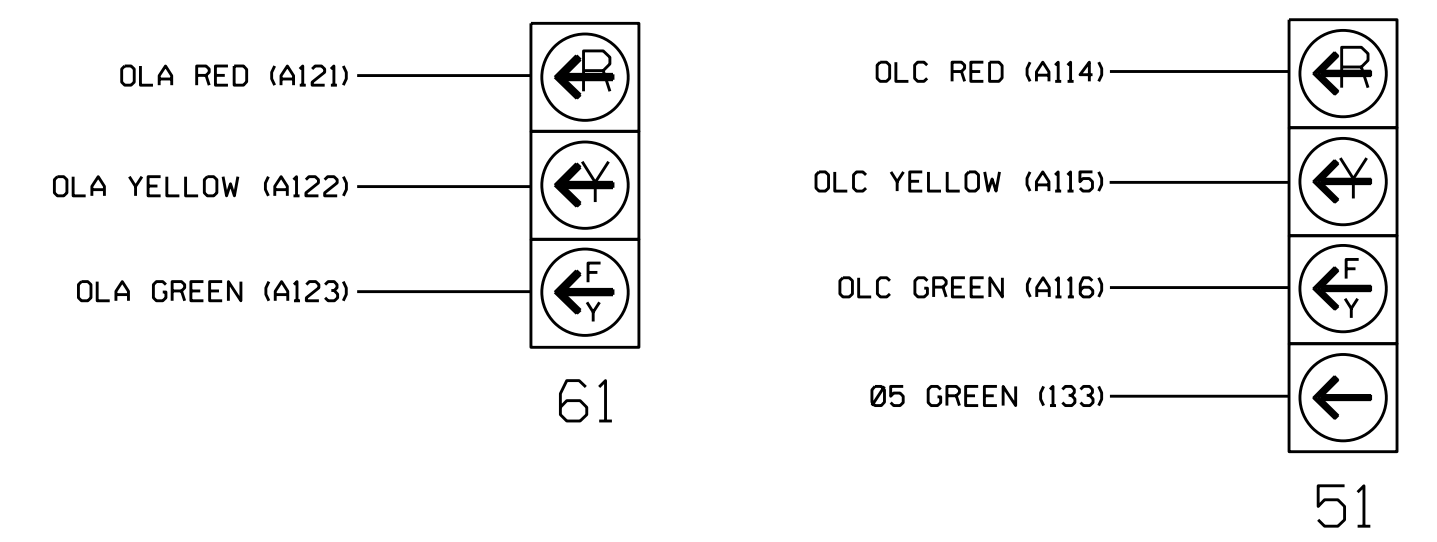
CONTROLLER.....2070
 CABINET.....332 W/ AUX
 SOFTWARE.....ECONOLITE OASIS
 CABINET MOUNT.....BASE
 OUTPUT FILE POSITIONS...18 WITH AUX. OUTPUT FILE
 LOAD SWITCHES USED.....S2,S5,S7,S8,S11,AUX S1,AUX S4
 PHASES USED.....2,4,5,6,8
 OVERLAP "A".....2
 OVERLAP "B".....NOT USED
 OVERLAP "C".....5+6
 OVERLAP "D".....NOT USED

LOAD SWITCH NO.	S1	S2	S3	S4	S5	S6	S7	S8	S9	S10	S11	S12	AUX S1	AUX S2	AUX S3	AUX S4	AUX S5	AUX S6
CMU CHANNEL NO.	1	2	13	3	4	14	5	6	15	7	8	16	9	10	17	11	12	18
PHASE	1	2	2 PED	3	4	4 PED	5	6	6 PED	7	8	8 PED	OLA	OLB	SPARE	OLC	OLD	SPARE
SIGNAL HEAD NO.	NU	21,22	NU	NU	41, 42,43	NU	42	51	62,63	NU	NU	81, 82,83	NU	61	NU	NU	51	NU
RED		128			101		*		134			107						
YELLOW		129			102				135			108						
GREEN		130			103				136			109						
RED ARROW														A121			A114	
YELLOW ARROW														A122			A115	
FLASHING YELLOW ARROW														A123			A116	
GREEN ARROW							133	133										

NU = Not Used
 * Denotes install load resistor. See load resistor installation detail this sheet.
 ★ See pictorial of head wiring in detail below.

FYA SIGNAL WIRING DETAIL

(wire signal heads as shown)



NOTE
 The sequence display for signal head 51 requires special logic programming. See sheet 2 for programming instructions.

INPUT FILE POSITION LAYOUT

(front view)

FILE	U	1	2	3	4	5	6	7	8	9	10	11	12	13	14	
"I"	U	NOT USED	∅2/SYS	∅2/SYS	∅4	∅4	∅4	∅4	∅4	∅4	∅4	∅4	∅4	∅4	∅4	FS
	L	2B/S7	2C/S8	2C/S8	4A	4A	4A	4A	4A	4A	4A	4A	4A	4A	4A	DC ISOLATOR
"J"	U	∅5	∅6/SYS	∅6/SYS	∅8	∅8	∅8	∅8	∅8	∅8	∅8	∅8	∅8	∅8	∅8	ST
	L	5A	6A/S9	6A/S9	8A	8A	8A	8A	8A	8A	8A	8A	8A	8A	8A	DC ISOLATOR

EX.: 1A, 2A, ETC. = LOOP NO.'S
 FS = FLASH SENSE
 ST = STOP TIME

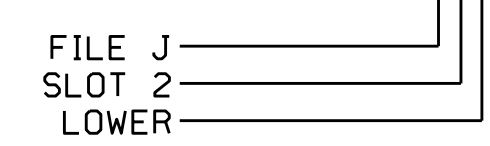
⊗ Wired Input - Do not populate slot with detector card

INPUT FILE CONNECTION & PROGRAMMING CHART

LOOP NO.	LOOP TERMINAL	INPUT FILE POS.	PIN NO.	INPUT ASSIGNMENT NO.	DETECTOR NO.	NEMA PHASE	CALL	EXTEND	FULL TIME DELAY	STRETCH TIME	DELAY TIME
2B/S7	TB2-7,8	I2L	43	5	12	2/SYS	Y	Y			
2C/S8	TB2-9,10	I3U	63	25	32	2/SYS	Y	Y			
4A	TB4-9,10	I6U	41	3	4	Y	Y				3
5A ¹	TB3-1,2	J1U	55	17	5	Y	Y				15
	-	I4U	47	9	22	Y	Y	Y			3
5B	TB4-11,12	I6L	45	7	14	Y	Y				15
6A/S9	TB3-5,6	J2U	40	2	6	6/SYS	Y	Y			
6B	TB3-7,8	J2L	44	6	16	6	Y	Y	Y		3
8A	TB5-9,10	J6U	42	4	8	Y	Y				5

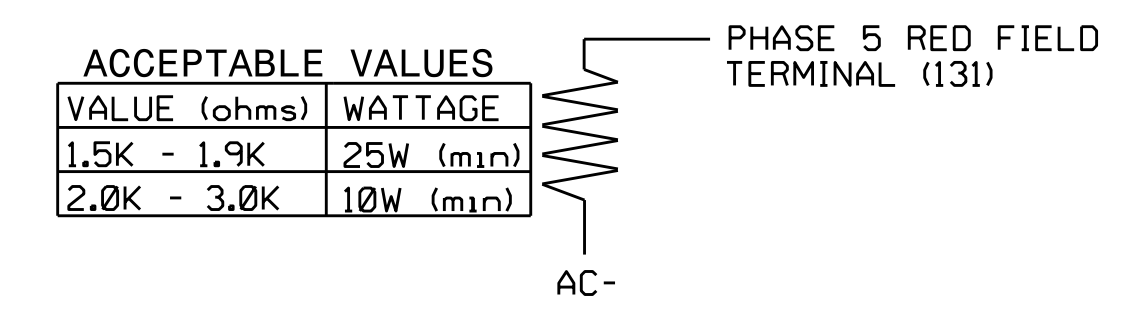
¹Add jumper from J1-W to I4-W, on rear of input file.

INPUT FILE POSITION LEGEND: J2L



LOAD RESISTOR INSTALLATION DETAIL

(install resistor as shown below)



VALUE (ohms)	WATTAGE
1.5K - 1.9K	25W (min)
2.0K - 3.0K	10W (min)

Electrical Detail - Temp - Sheet 1 of 2

DOCUMENT NOT CONSIDERED FINAL UNLESS ALL SIGNATURES COMPLETED

Prepared In the Offices of:

 750 N. Greenfield Pkwy, Garner, NC 27529

NC 119
 at
 SR 1980 (Holmes Road)

SEAL

Division 7 Alamance County		Mebane	
PLAN DATE: January 2017	REVIEWED BY: T. Joyce		
PREPARED BY: C. Strickland	REVIEWED BY:		
REVISIONS	INIT.	DATE	

DocuSigned by:

 1/26/2017
 DATE
 SIG. INVENTORY NO. 07-0442T

26-1116-2017 10:41
 S:\PITS\SIG\115\Sig\01\work\hous\51g_Maps\1116\1042_sml_e.xxx.dgn
 C:\Users\cstrickland