

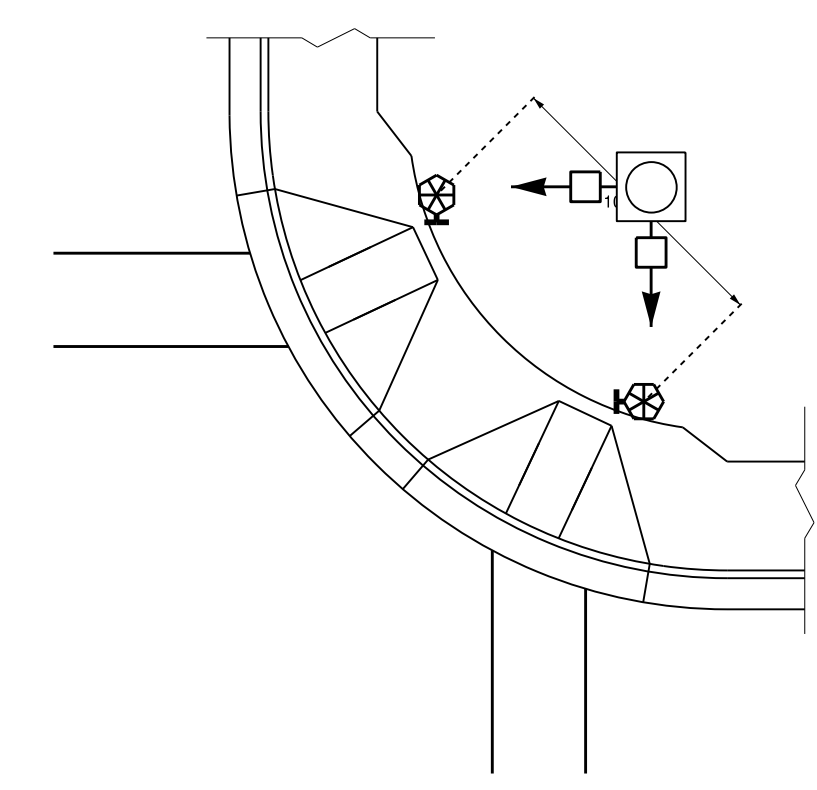
STATE OF NORTH CAROLINA  
DEPT. OF TRANSPORTATION  
DIVISION OF HIGHWAYS  
RALEIGH, N.C.

06-14

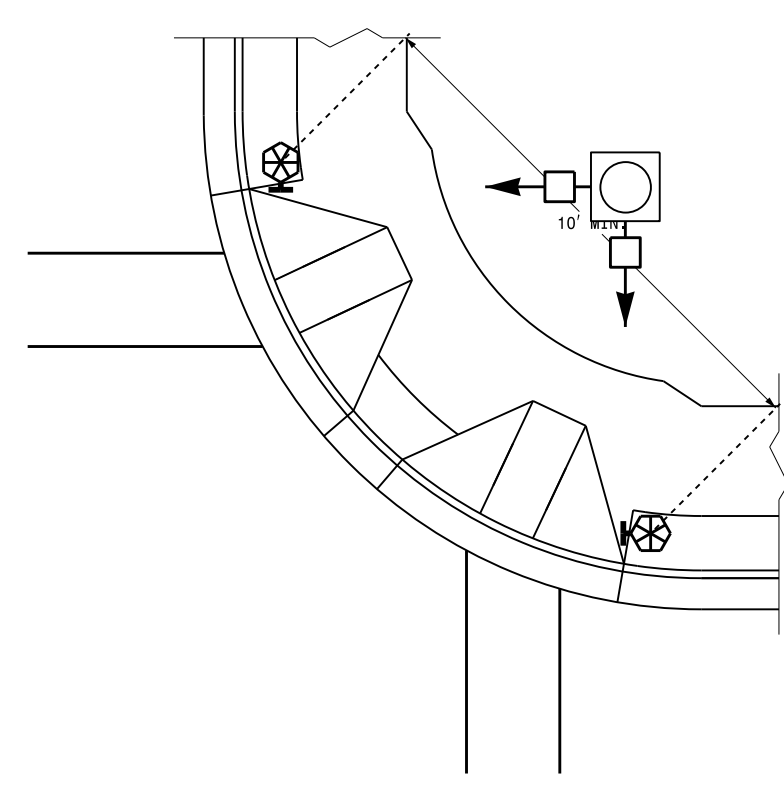
ENGLISH DETAIL DRAWING FOR  
**PEDESTRIAN PUSHBUTTON LOCATIONS**  
PLACEMENT DETAIL

SHEET 2 OF 3  
**1705D01**

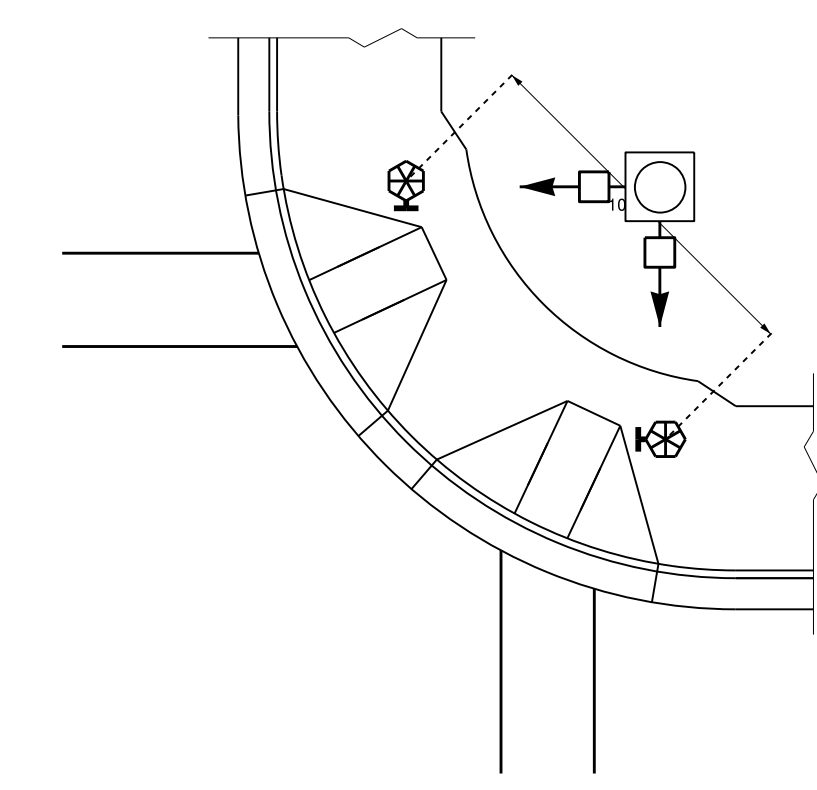
TYPICAL PUSHBUTTON LOCATIONS (CASE I)  
SEPARATE CURB RAMPS W/ TYPE I PEDESTALS



BACK OF SIDEWALK IS WITHIN 10'  
OF CURB OR PAVEMENT/SHOULDER



GRASS STRIP PLACEMENT IF BACK  
OF SIDEWALK EXCEEDS 10' FROM  
CURB OR PAVEMENT/SHOULDER



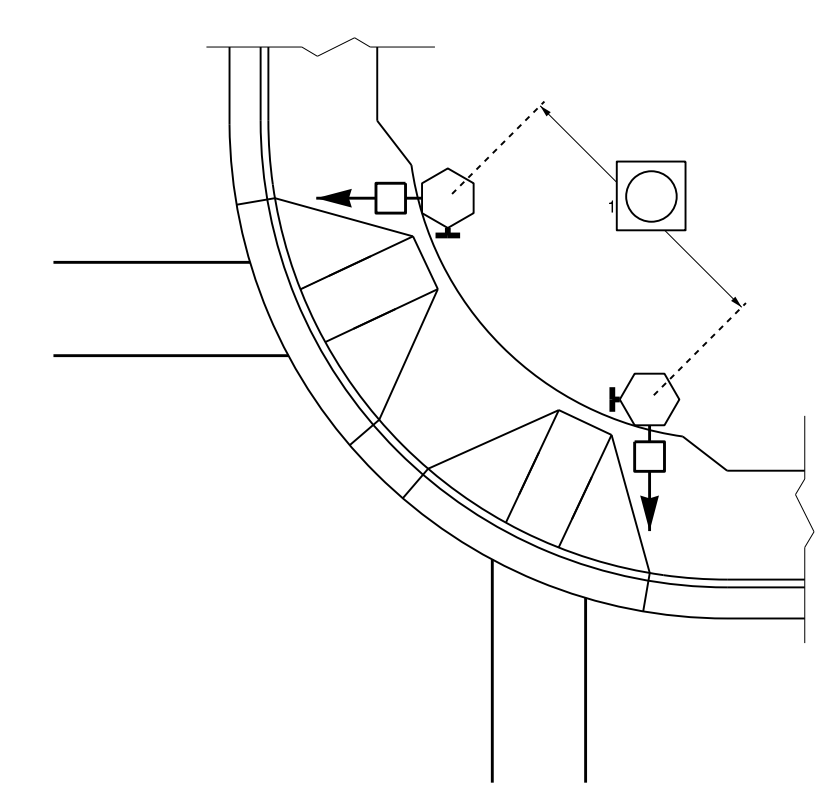
PUSHBUTTON PLACEMENT  
IN WIDE SIDEWALK

**PROPOSED**

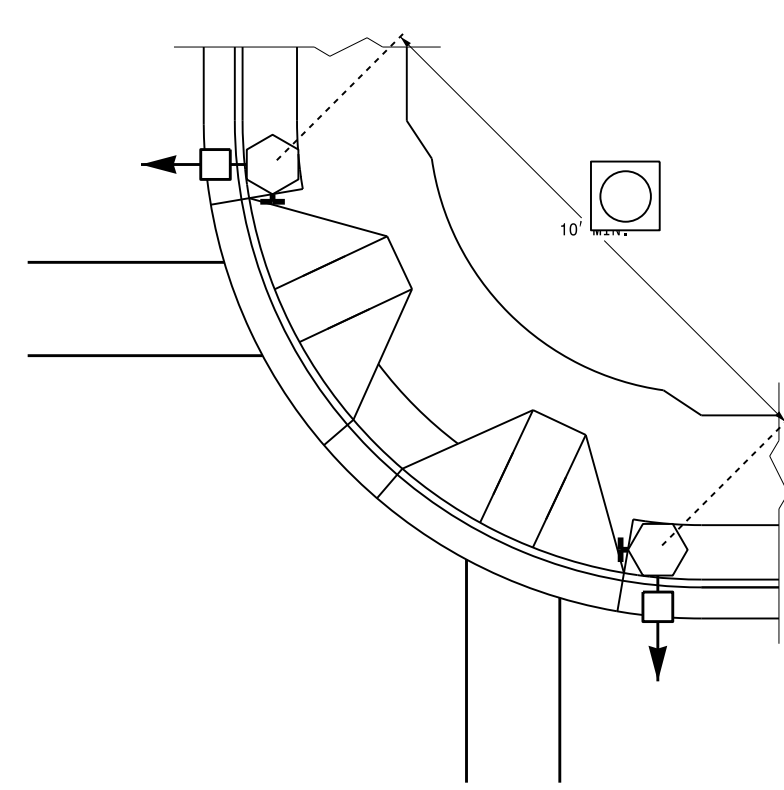
- Signal Pole
- Type I Pushbutton Post
- Type II Signal Pedestal
- Pushbutton & Sign
- Pedestrian Signal Head
- Curb Ramp
- Pushbutton Location Area

**LEGEND**

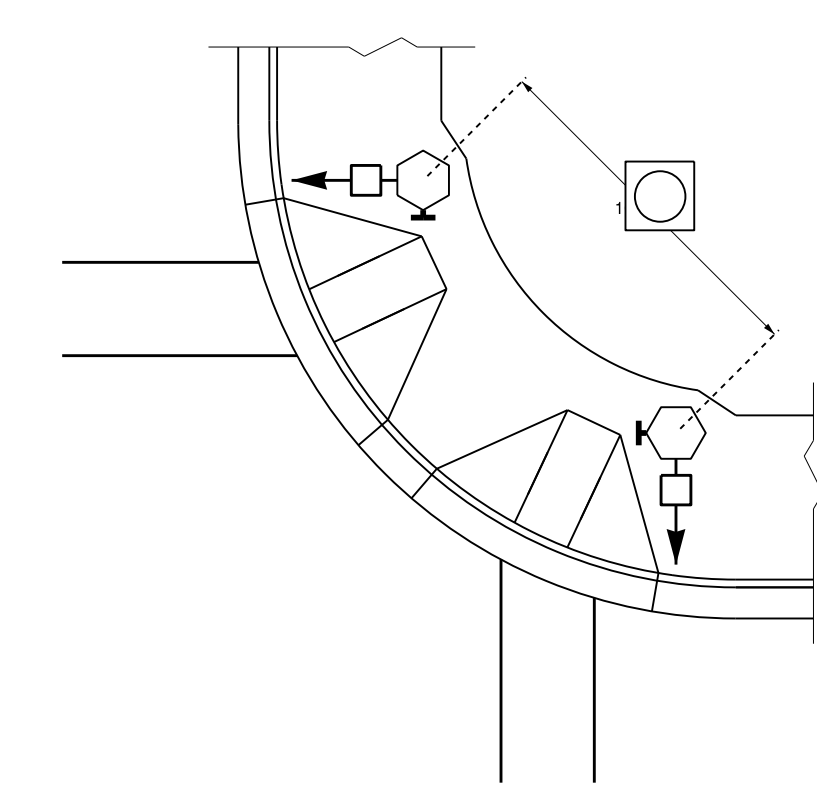
TYPICAL PUSHBUTTON LOCATIONS (CASE II)  
SEPARATE CURB RAMPS W/ TYPE II PEDESTALS



BACK OF SIDEWALK IS WITHIN 10'  
OF CURB OR PAVEMENT/SHOULDER

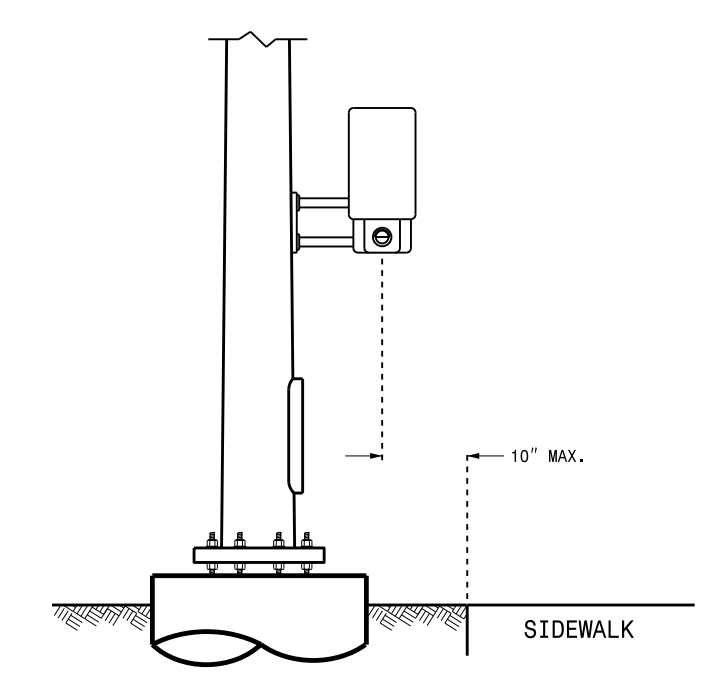


GRASS STRIP PLACEMENT IF BACK  
OF SIDEWALK EXCEEDS 10' FROM  
CURB OR PAVEMENT/SHOULDER



PUSHBUTTON PLACEMENT  
IN WIDE SIDEWALK

OPTIONAL PUSHBUTTON EXTENSION  
FACE OF PUSHBUTTON PARALLEL TO  
APPLICABLE CROSSWALK



STATE OF NORTH CAROLINA  
DEPT. OF TRANSPORTATION  
DIVISION OF HIGHWAYS  
RALEIGH, N.C.

06-14

ENGLISH DETAIL DRAWING FOR  
**PEDESTRIAN PUSHBUTTON LOCATIONS**  
PLACEMENT DETAIL

SHEET 2 OF 3  
**1705D01**

See Plate for Title

Prepared in the Offices of:

750 N. Greenfield Parkway  
Garner, NC 27529

SEAL

DocuSigned by:

1888488274464

SIGNATURE

6/17/2014  
DATE

06-AUG-2014 16:38  
 S:\ITS\ASU\ITS\_Signal\Signal Design Section\Central Region\Rob's Files\Red State\Pushbutton Drawings\Pushbutton Place Drawings\20140617.dgn  
 rz1emba