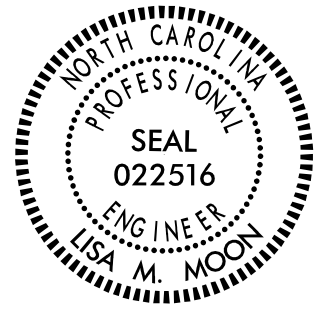


APPROVED: *Lisa M. Moon*

DATE: 9/1/2016

SEAL



**DOCUMENT NOT CONSIDERED FINAL  
UNLESS ALL SIGNATURES COMPLETED**

SIGN NUMBER: 1,3,4,6,7,9	BACKG COLOR: White	DESIGN BY: LM Moon	CHECKED BY: C Martinez	DATE: Mar 15, 2015
TYPE: B	COPY COLOR: Black	PROJECT ID: W-5520	DIV: 10	
QUANTITY: 6				

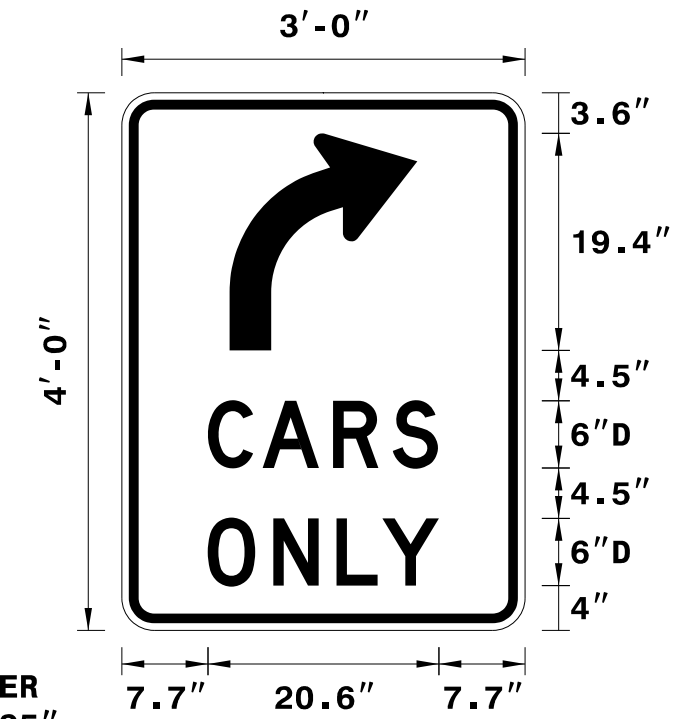
SYMBOL	X	Y	WID	HT
R3_5A	9.6	25	16.8	19.4

SIGN WIDTH: 3'-0"  
HEIGHT: 4'-0"  
TOTAL AREA: 12.0 Sq.Ft.

BORDER TYPE: RECESSED  
RECESS: 0.63"  
WIDTH: 0.88"  
RADII: 2.25"

MAT'L: 0.125" (3.2 mm) ALUMINUM

NO. Z BARS: 2  
LENGTH: 28.0



- USE NOTES: 1, 2
- Legend and border(except those that are colored black) shall be direct applied Grade B sheeting.
  - Background shall be Grade A, B, or C reflective sheeting.
  - Shields; A, B, and C type arrows shall be on 0.032" (0.8mm) aluminum and demountable.
  - Bottom panel shall be yellow Grade C sheeting. Legend shall be direct applied black non-reflective sheeting. Yellow panel is:

LETTER POSITIONS

Letter locations are panel edge to lower left corner

C	A	R	S	Series/Size
7.7	12.6	18.9	24.2	D 20.5
O	N	L	Y	D
7.7	13.5	19.2	23.3	20.6

FILENAME: W-5520\_GuidSIGN\_Designs NORTH CAROLINA D.O.T. SIGN DETAIL

SIGN NUMBER: 403	BACKG COLOR: White	DESIGN BY: LM Moon	CHECKED BY: C Martinez	DATE: Apr 7, 2015
TYPE: D	COPY COLOR: Black	PROJECT ID: W-5520	DIV: 10	
QUANTITY: 4				

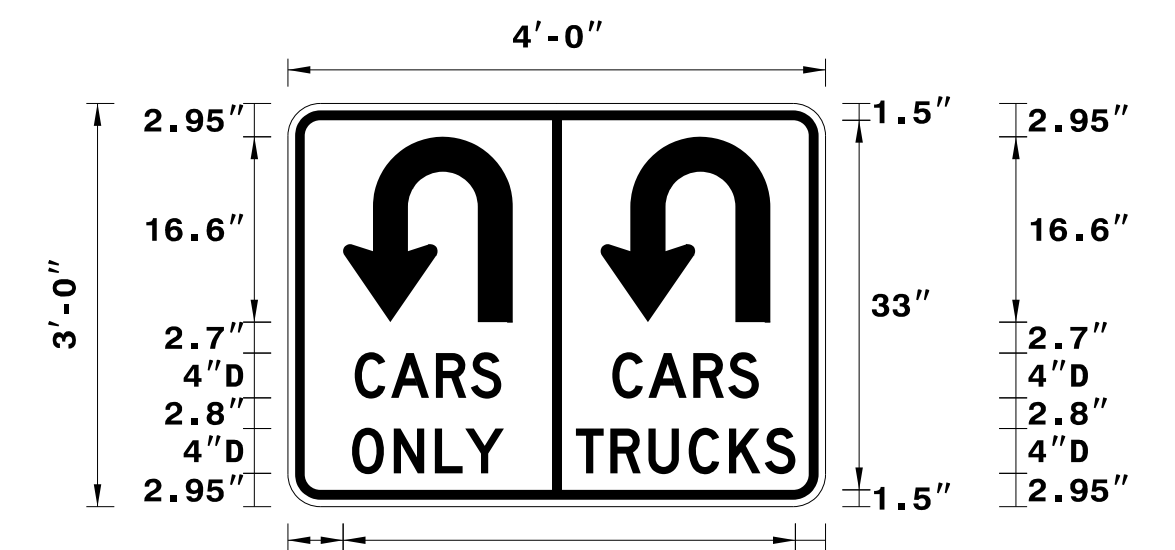
SYMBOL	X	Y	WID	HT
R3_4a	4.9	16.5	15.2	16.6
R3_4a	27.9	16.5	15.2	16.6

SIGN WIDTH: 4'-0"  
HEIGHT: 3'-0"  
TOTAL AREA: 12.0 Sq.Ft.

BORDER TYPE RECESSED  
RECESS: 0.63"  
WIDTH: 0.88"  
RADII: 2.25"

MAT'L: 0.125" (3.2 mm) ALUMINUM

NO. Z BARS: 2  
LENGTH: 28.0



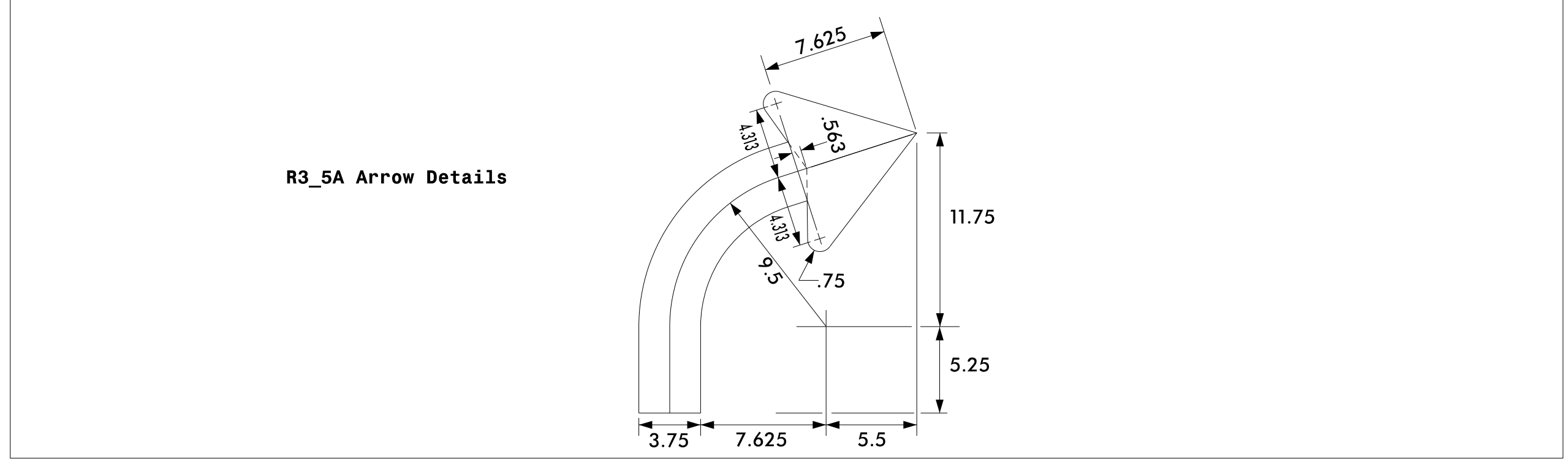
- USE NOTES: 1, 2
- Legend and border(except those that are colored black) shall be direct applied Grade B sheeting.
  - Background shall be Grade A, B, or C reflective sheeting.
  - Shields; A, B, and C type arrows shall be on 0.032" (0.8mm) aluminum and demountable.
  - Bottom panel shall be yellow Grade C sheeting. Legend shall be direct applied black non-reflective sheeting. Yellow panel is:

LETTER POSITIONS

Letter locations are panel edge to lower left corner

C	A	R	S	Series/Size		
6	9.2	13.2	16.3	D 2000 13.1		
C	A	R	S	D 2000		
29	32.2	36.2	39.3	13.1		
O	N	L	Y	D 2000		
5.7	9.4	13.1	15.8	13.6		
T	R	U	C	K	S	D 2000
25.7	28.8	32.2	35.8	39.4	42.6	19.6

FILENAME: W-5520\_GuidSIGN\_Designs NORTH CAROLINA D.O.T. SIGN DETAIL



SIGN NUMBER: 2,5,8	BACKG COLOR: White	DESIGN BY: LM Moon	CHECKED BY: C Martinez	DATE: Mar 15, 2015
TYPE: B	COPY COLOR: Black	PROJECT ID: W-5520	DIV: 10	
QUANTITY: 3				

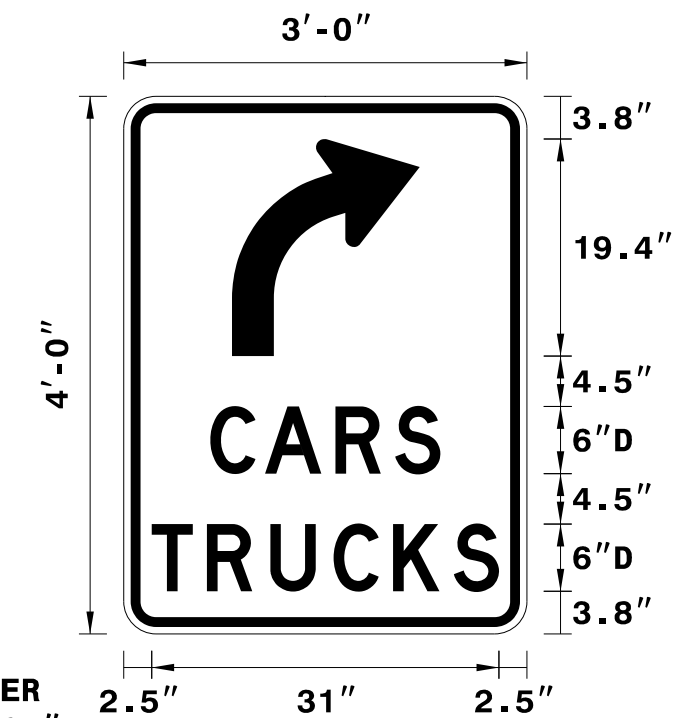
SYMBOL	X	Y	WID	HT
R3_5A	9.7	24.8	16.8	19.4

SIGN WIDTH: 3'-0"  
HEIGHT: 4'-0"  
TOTAL AREA: 12.0 Sq.Ft.

BORDER TYPE: RECESSED  
RECESS: 0.63"  
WIDTH: 0.88"  
RADII: 2.25"

MAT'L: 0.125" (3.2 mm) ALUMINUM

NO. Z BARS: 2  
LENGTH: 28.0



- USE NOTES: 1, 2
- Legend and border(except those that are colored black) shall be direct applied Grade B sheeting.
  - Background shall be Grade A, B, or C reflective sheeting.
  - Shields; A, B, and C type arrows shall be on 0.032" (0.8mm) aluminum and demountable.
  - Bottom panel shall be yellow Grade C sheeting. Legend shall be direct applied black non-reflective sheeting. Yellow panel is:

LETTER POSITIONS

Letter locations are panel edge to lower left corner

C	A	R	S	Series/Size		
7.7	12.6	18.9	24.2	D 20.5		
T	R	U	C	K	S	D
2.5	7.4	13	18.7	24	29.4	31

FILENAME: W-5520\_GuidSIGN\_Designs NORTH CAROLINA D.O.T. SIGN DETAIL

R3\_4a Arrow Details

ARROW DIMENSIONS (INCHES)	F	G	H	M	N	P	Q	R
	3.125	3.125	10.313	6.25	3.625	6.375	.5	.625

FILENAME: W-5520\_GuidSIGN\_Designs NORTH CAROLINA D.O.T. SIGN DETAIL



**SIGN DESIGNS**

9/1/2016 1:00:00 PM C:\Users\lmoon\OneDrive\Work\Projects\W5520\_Sign\Layout\_Plans\W5520\_SGN\_SGN01.dgn