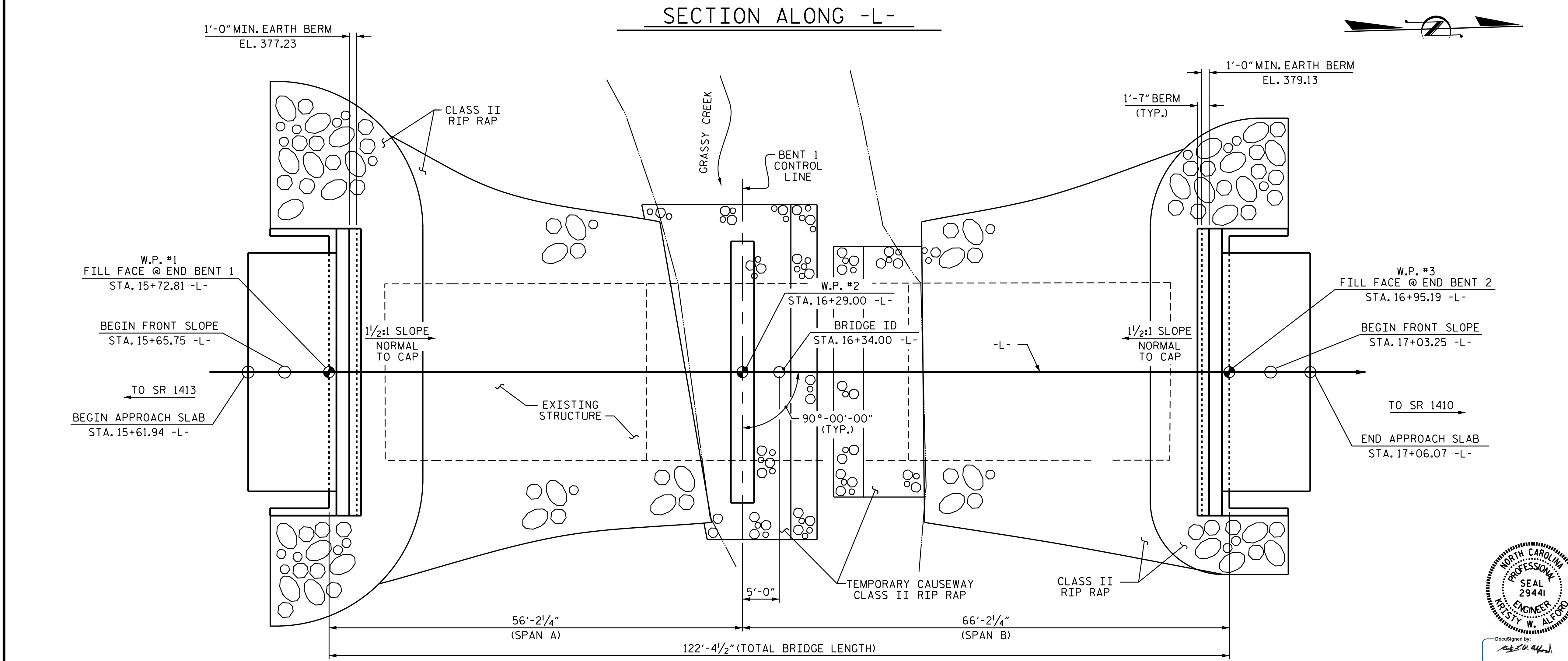
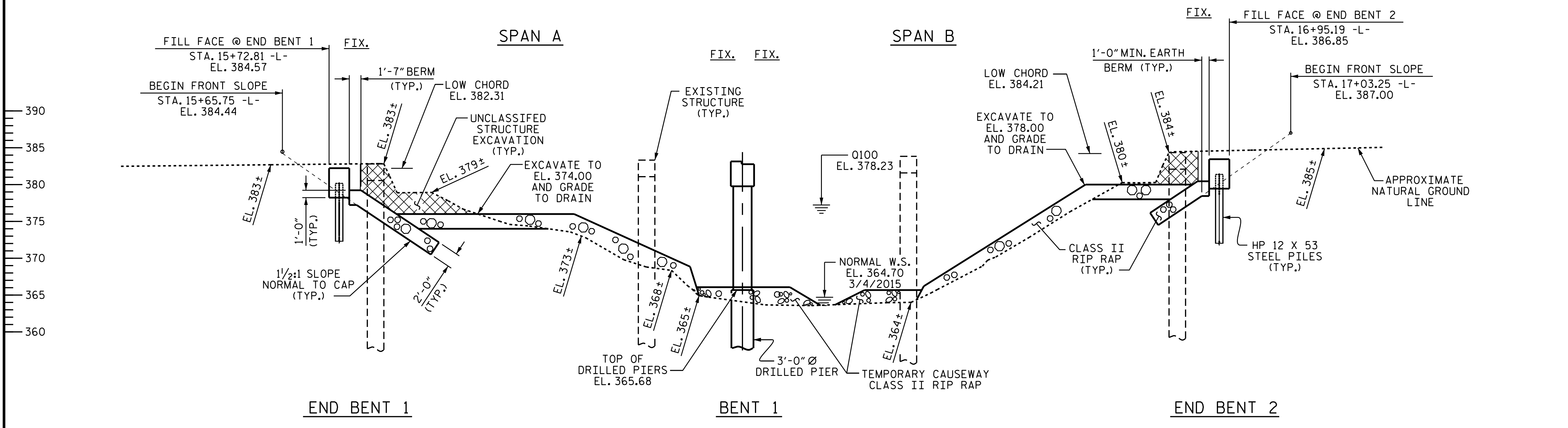


15+50 16+00 16+50 17+00

1.8632% 4.4435%
GRADE DATA -L-
 PI = 18+40.00 -L-
 EL. = 389.55
 VC = 250'

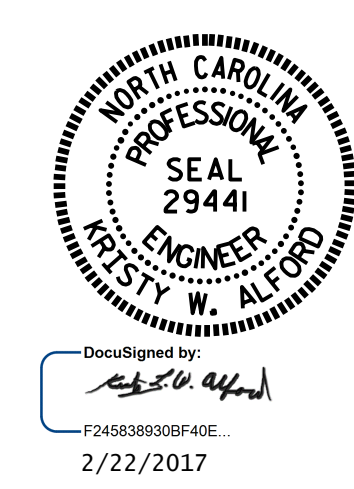


I HEREBY CERTIFY THESE PLANS ARE THE AS-BUILT PLANS

PROJECT NO. B-5166
 GRANVILLE COUNTY
 STATION: 16+34.00 -L-

SHEET 1 OF 3 REPLACES BRIDGE #138

STATE OF NORTH CAROLINA
 DEPARTMENT OF TRANSPORTATION
 RALEIGH
GENERAL DRAWING
 FOR BRIDGE OVER
 GRASSY CREEK ON
 SR 1300 (CORNWALL RD.)
 BETWEEN SR 1410 & SR 1413



DRAWN BY: J.P. ADAMS DATE: 4/2016
 CHECKED BY: T.L. AVERETTE DATE: 4/2016

DOCUMENT NOT CONSIDERED FINAL UNLESS ALL SIGNATURES COMPLETED

REVISIONS						SHEET NO.
NO.	BY:	DATE:	NO.	BY:	DATE:	S-1
1			3			TOTAL SHEETS
2			4			20