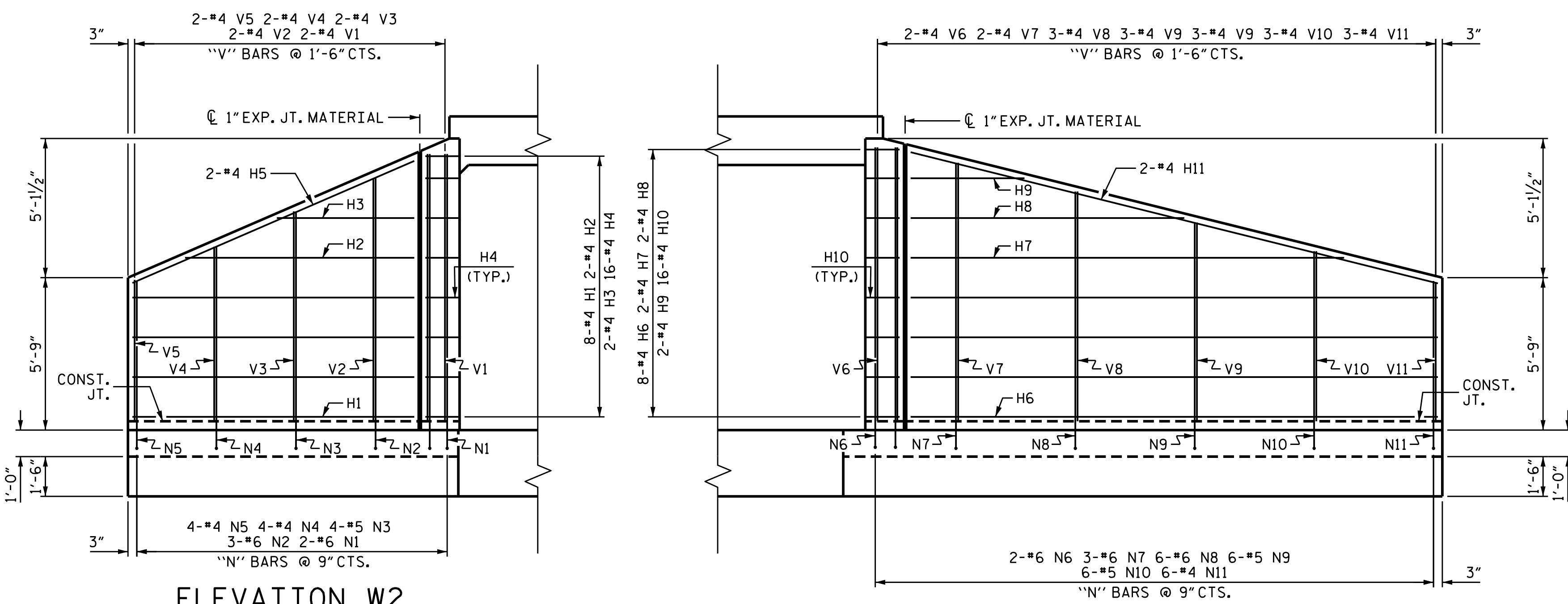


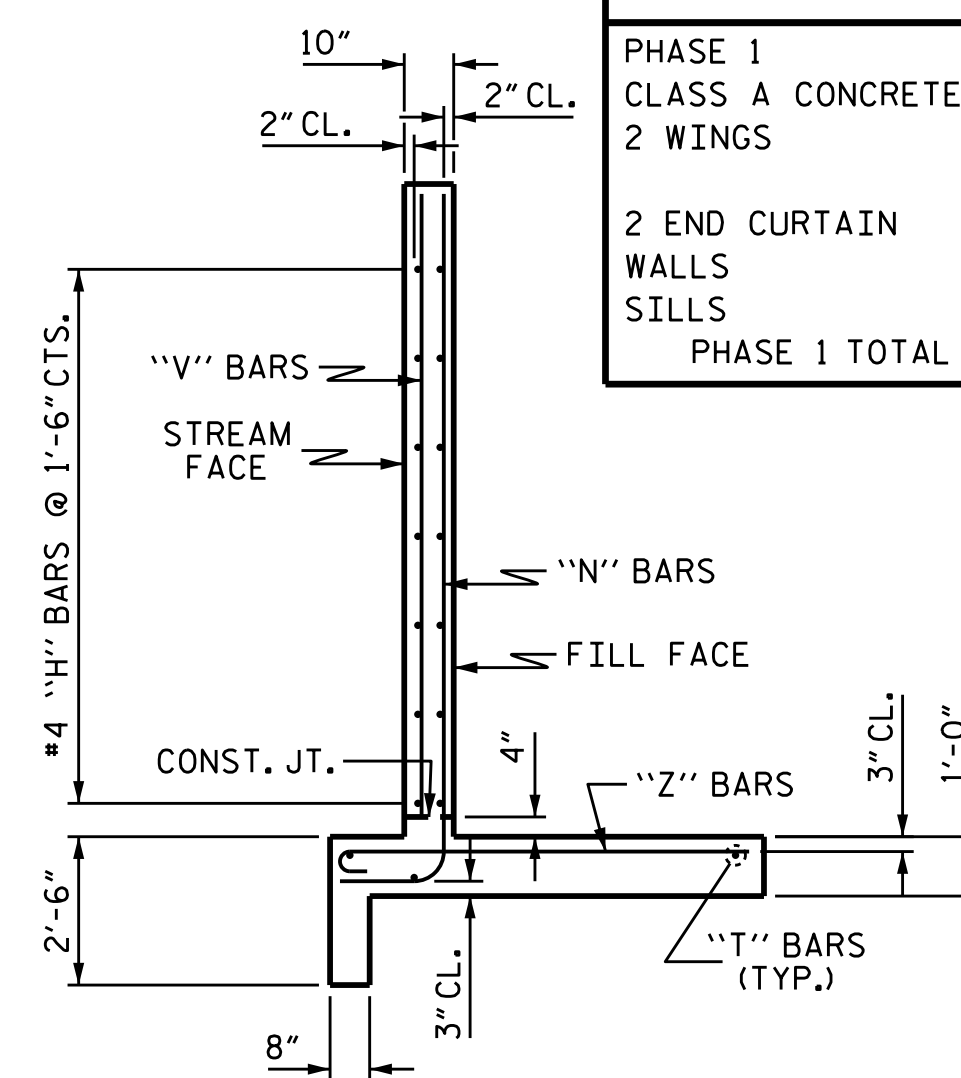
PLAN W2

PLAN W1

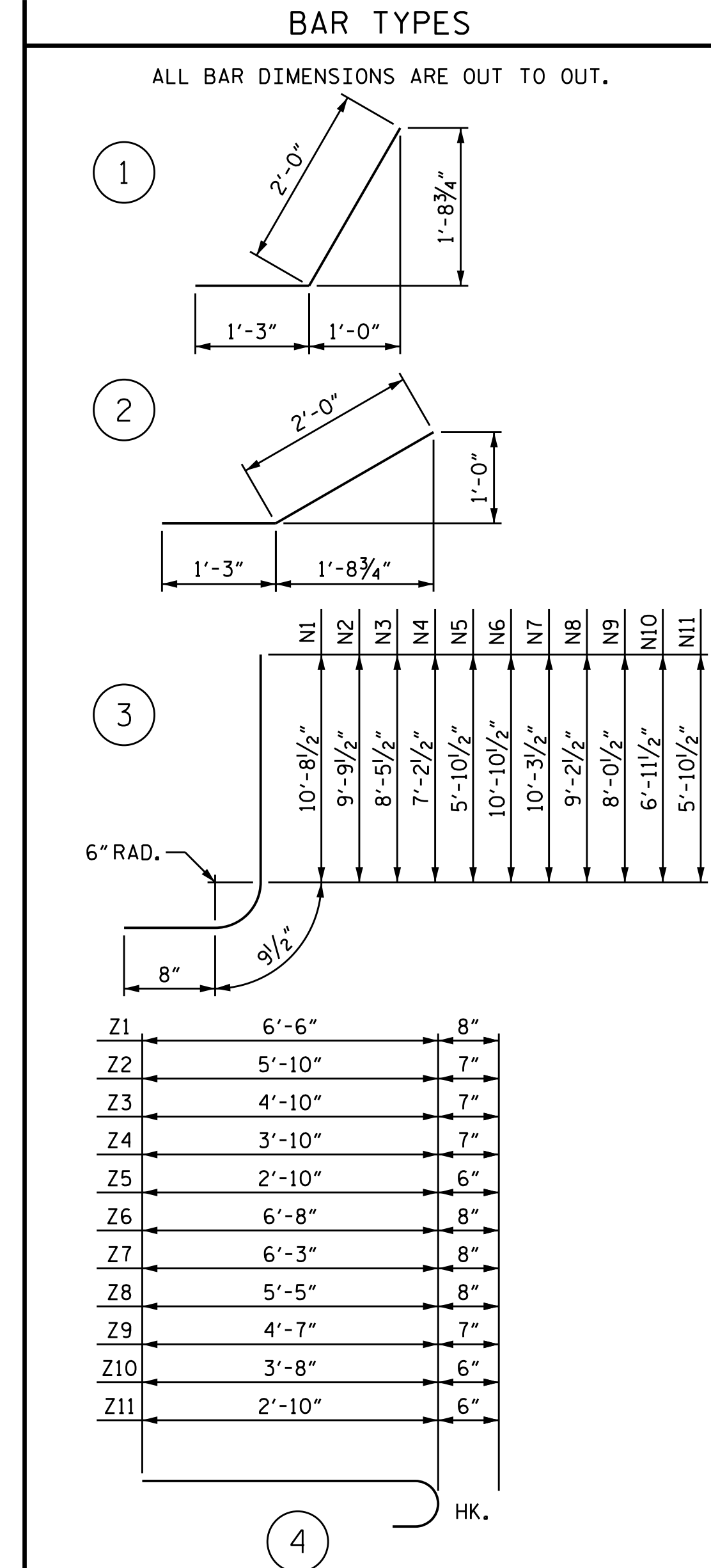


ELEVATION W2

ELEVATION W1



TYPICAL WING SECTION



PHASE	CONCRETE CLASS	WINGS	WALLS	SILLS	TOTAL
PHASE 1	CLASS A	2 WINGS	2 END CURTAIN	WALLS	20.4 CY
PHASE 2	CLASS A	2 WINGS	2 HEADWALLS	2 END CURTAIN	24.2 CY
			WALLS	SILLS	2.9 CY
			2.1 CY	1.2 CY	

REINFORCING BAR SCHEDULE FOR PHASE 1 OR PHASE 2				
BAR NO.	SIZE	TYPE	LENGTH	WEIGHT
H1	#4	STR	10'-7"	57
H2	#4	STR	8'-7"	11
H3	#4	STR	5'-2"	7
H4	#4	1	3'-3"	35
H5	#4	STR	11'-7"	15
H6	#4	STR	19'-10"	106
H7	#4	STR	16'-4"	22
H8	#4	STR	10'-3"	14
H9	#4	STR	4'-3"	6
H10	#4	2	3'-3"	35
H11	#4	STR	20'-5"	27
N1	#6	3	12'-2"	37
N2	#6	3	11'-3"	51
N3	#5	3	9'-11"	41
N4	#4	3	8'-8"	23
N5	#4	3	7'-4"	20
N6	#6	3	12'-4"	37
N7	#6	3	11'-9"	53
N8	#6	3	10'-8"	96
N9	#5	3	9'-6"	59
N10	#5	3	8'-5"	53
N11	#4	3	7'-4"	29
S1	#6	STR	6'-0"	54
T1	#5	STR	12'-6"	39
T2	#5	STR	21'-9"	68
V1	#4	STR	10'-1"	13
V2	#4	STR	9'-2"	12
V3	#4	STR	7'-11"	11
V4	#4	STR	6'-7"	9
V5	#4	STR	5'-4"	7
V6	#4	STR	10'-4"	14
V7	#4	STR	9'-9"	13
V8	#4	STR	8'-8"	17
V9	#4	STR	7'-6"	15
V10	#4	STR	6'-5"	13
V11	#4	STR	5'-3"	11
Z1	#6	4	7'-2"	22
Z2	#5	4	6'-5"	20
Z3	#5	4	5'-5"	23
Z4	#5	4	4'-5"	18
Z5	#4	4	3'-4"	9
Z6	#6	4	7'-4"	22
Z7	#6	4	6'-11"	31
Z8	#6	4	6'-1"	55
Z9	#5	4	5'-2"	32
Z10	#4	4	4'-2"	17
Z11	#4	4	3'-4"	13

REINFORCING STEEL FOR 2 WINGS 1392 LBS

PROJECT NO. I-5000
 GASTON COUNTY
 STATION: 18+50.00 -RPD-
 SHEET 7 OF 7



STATE OF NORTH CAROLINA
 DEPARTMENT OF TRANSPORTATION
 RALEIGH
 STANDARD WINGS
 FOR
 CONCRETE BOX CULVERT
 H = 10'-0" SLOPE = 2:1
 60° OR 120° SKEW

ASSEMBLED BY: H. T. BARBOUR DATE: 9-27-16
 CHECKED BY: A. M. LEE DATE: 10-16
 DRAWN BY: CCJ 12/99
 CHECKED BY: RWW 03/00

DOCUMENT NOT CONSIDERED FINAL UNLESS ALL SIGNATURES COMPLETED

REVISIONS		SHEET NO.	
NO.	DATE	NO.	DATE
1		3	
2		4	