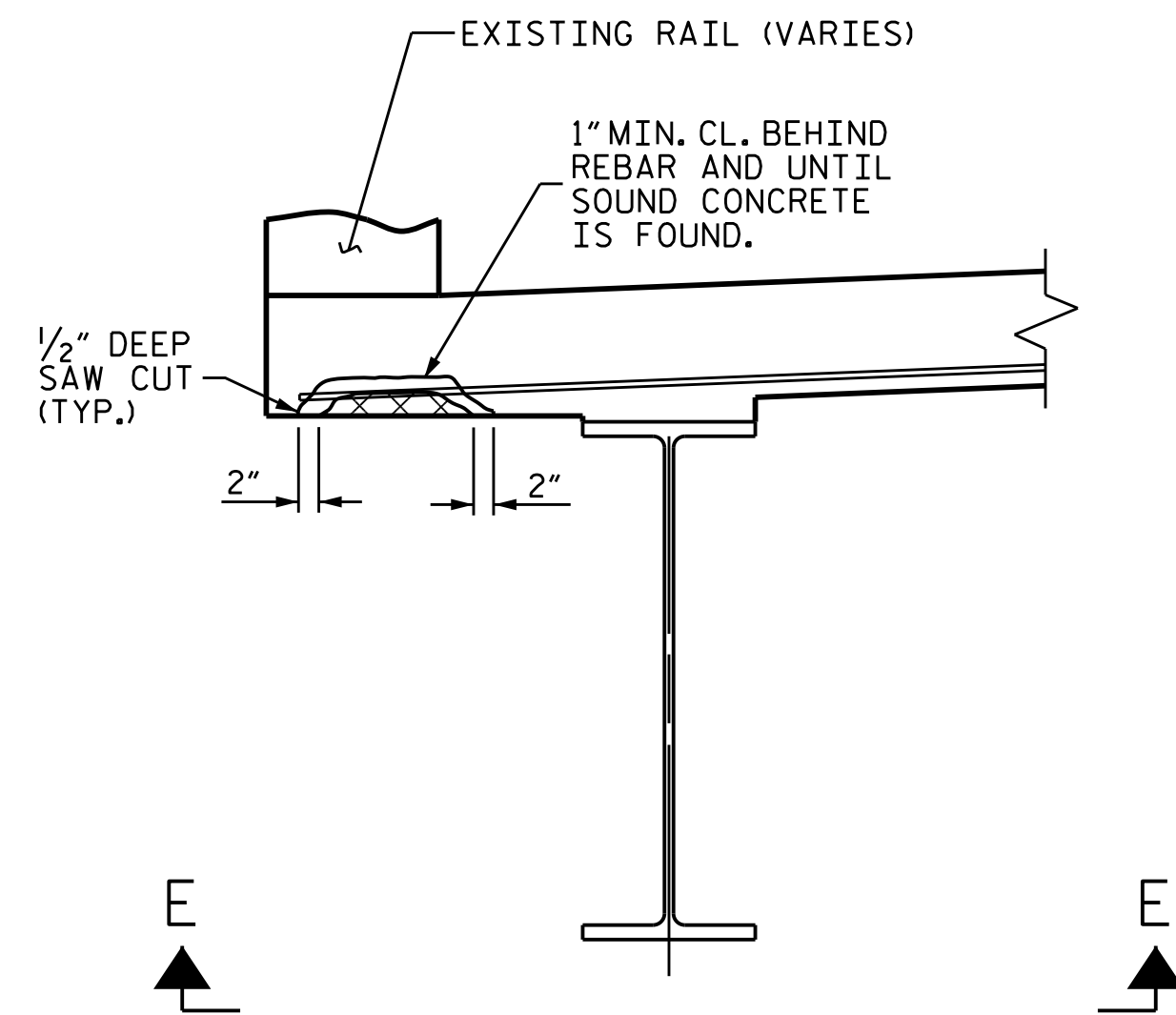


**NOTES:**

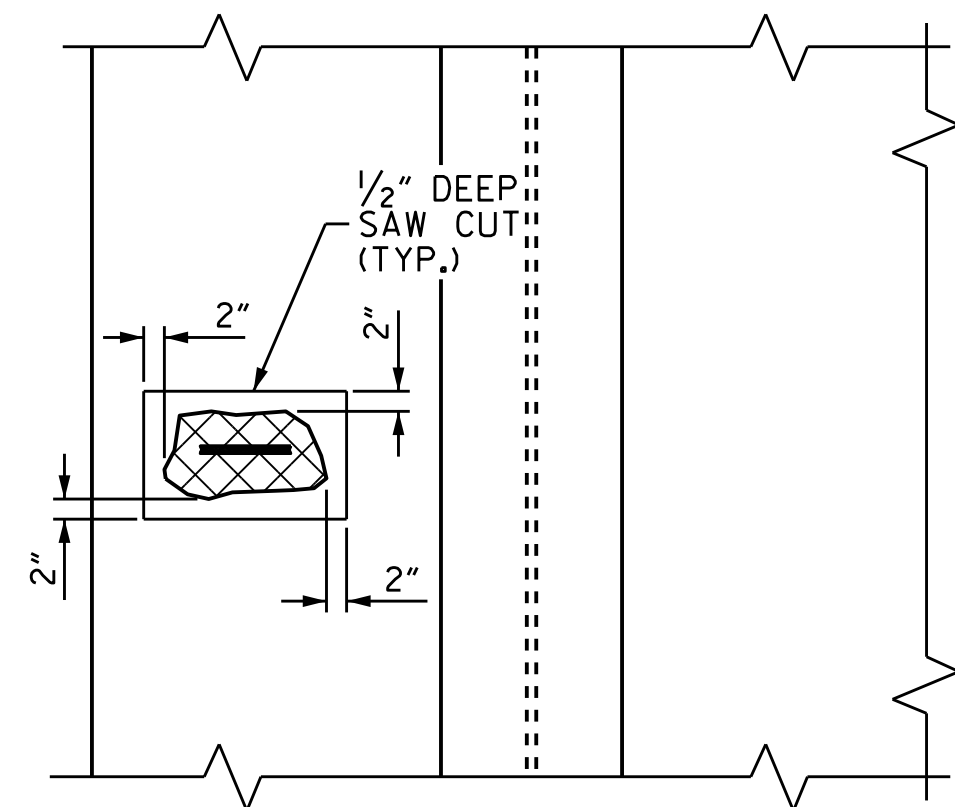
EXISTING REBAR TO REMAIN IN PLACE. CLEAN AND REPAIR AS NECESSARY.

REMOVE UNSOUND CONCRETE UNTIL SOUND CONCRETE IS FOUND, 1" MINIMUM DEPTH.



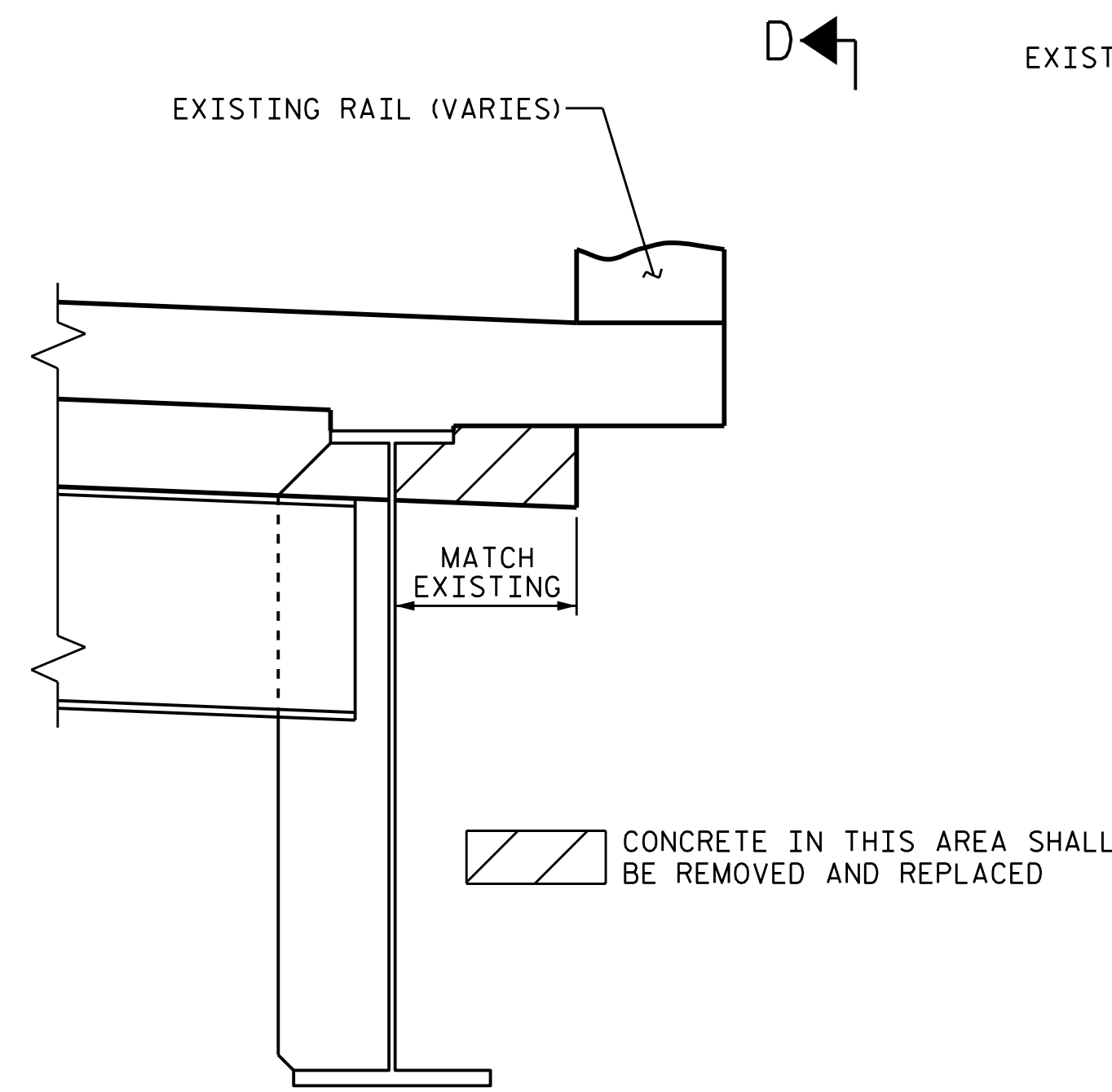
TYPICAL SECTION

DAMAGED AREA

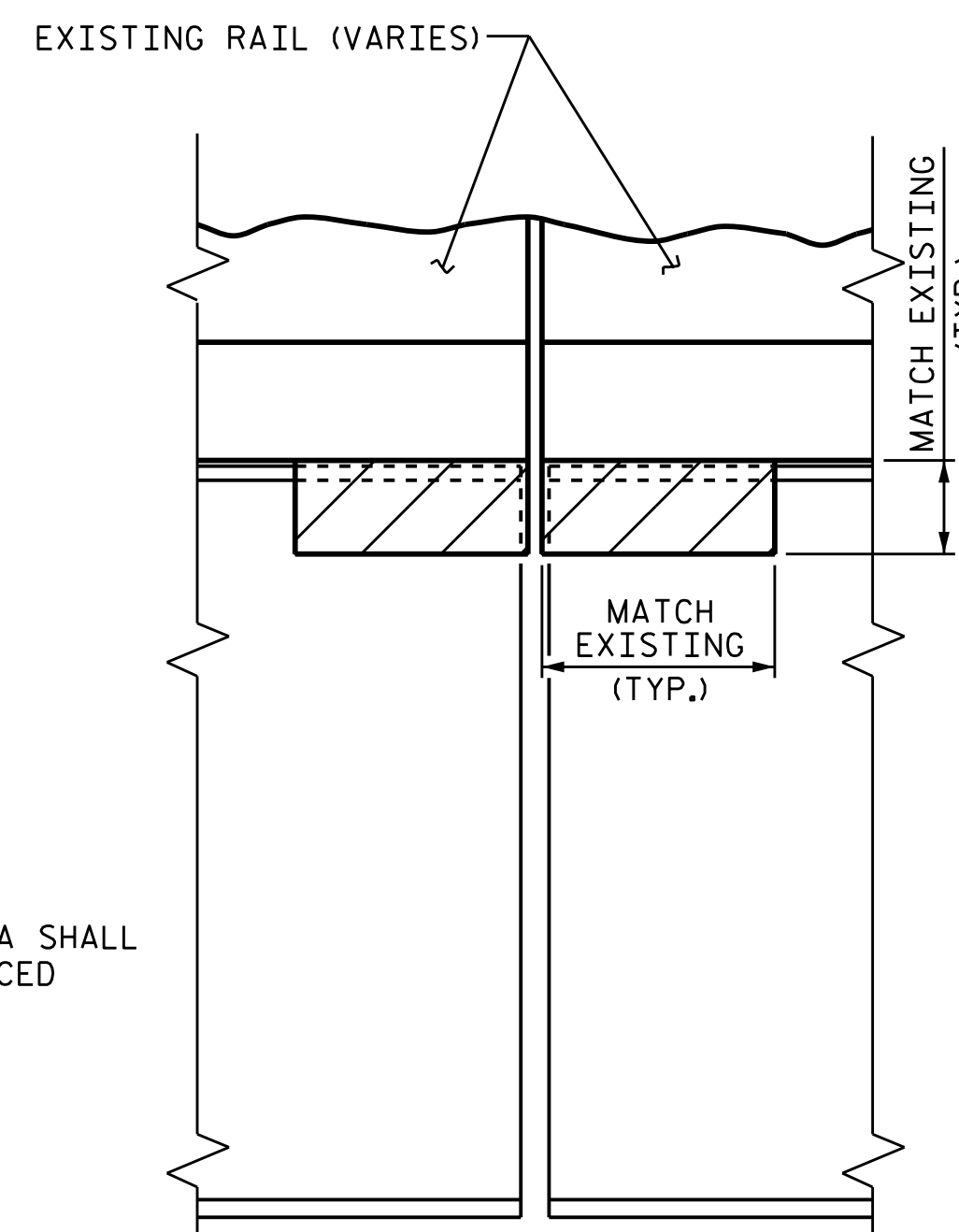


SECTION E-E

OVERHANG DETAILS

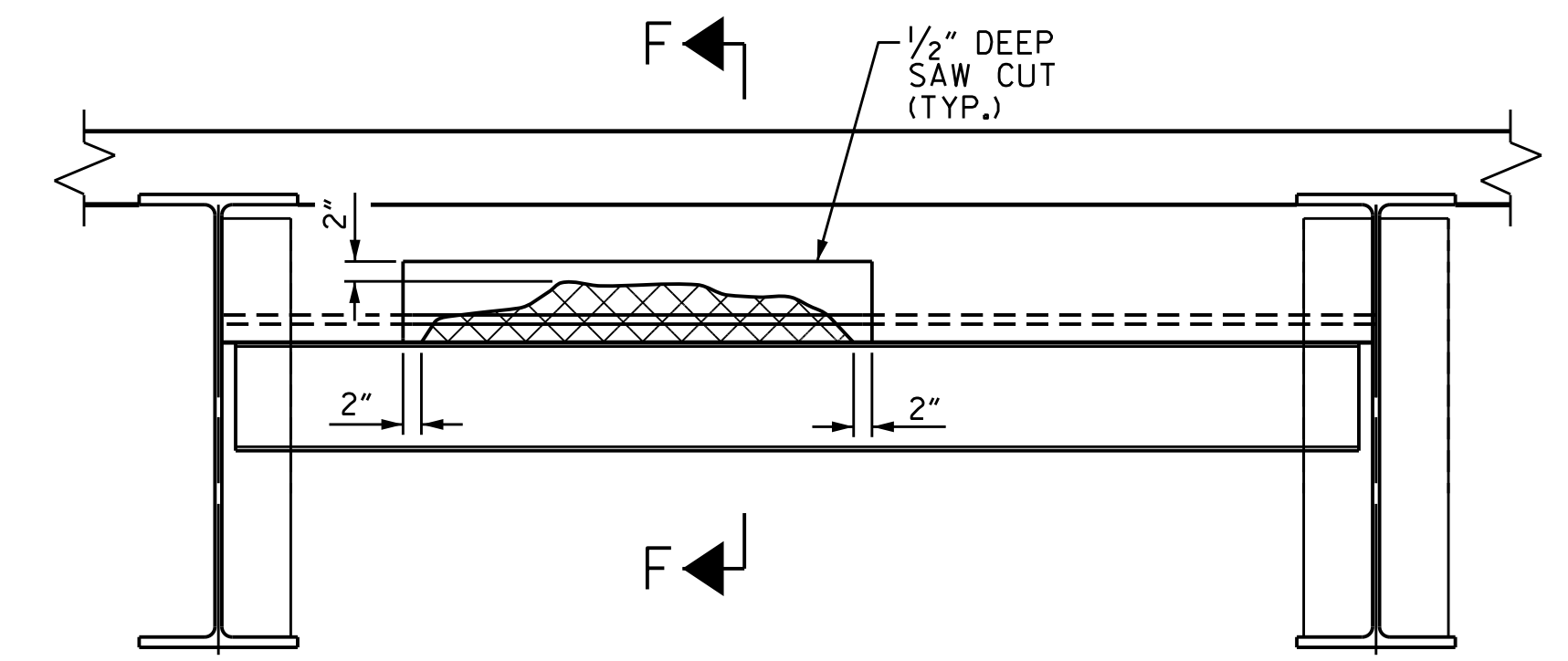


TYPICAL SECTION

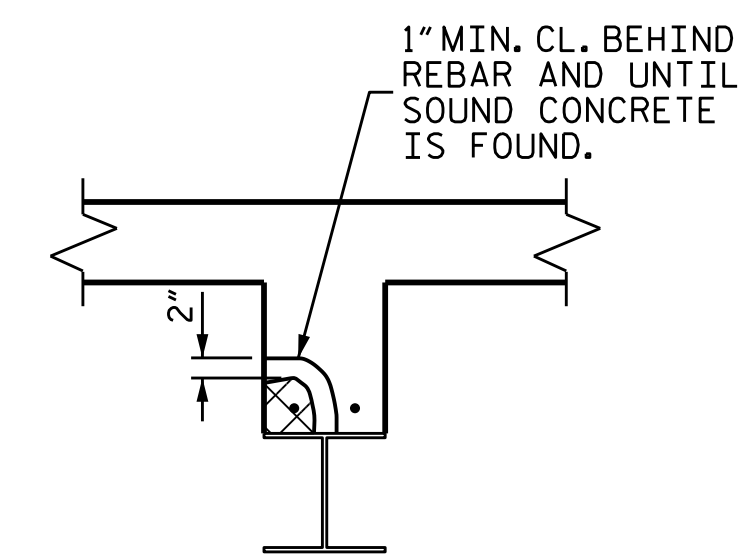


SECTION D-D

OVERHANG DIAPHRAGM REPLACEMENT DETAILS



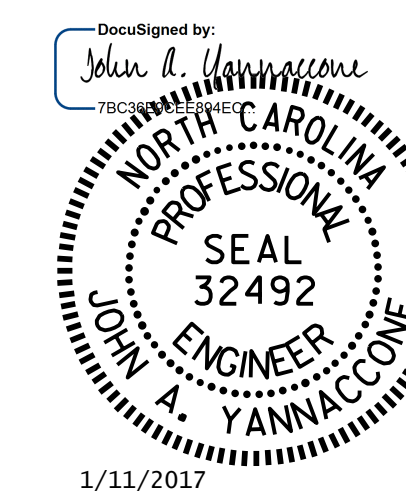
TYPICAL SECTION



SECTION F-F

INTERIOR DIAPHRAGM REPAIR DETAILS

PROJECT NO. I-5000  
GASTON COUNTY  
 BRIDGE NO. 120



1/11/2017

STATE OF NORTH CAROLINA  
 DEPARTMENT OF TRANSPORTATION  
 RALEIGH

**OVERHANG  
 AND DIAPHRAGM  
 REPAIR DETAILS**

DRAWN BY : S. WANCE DATE : 09/16  
 CHECKED BY : J. YANNACCONI DATE : 09/16

DOCUMENT NOT CONSIDERED  
 FINAL UNLESS ALL  
 SIGNATURES COMPLETED

REVISIONS						SHEET NO.
NO.	BY:	DATE:	NO.	BY:	DATE:	S-28
1			3			TOTAL SHEETS
2			4			30