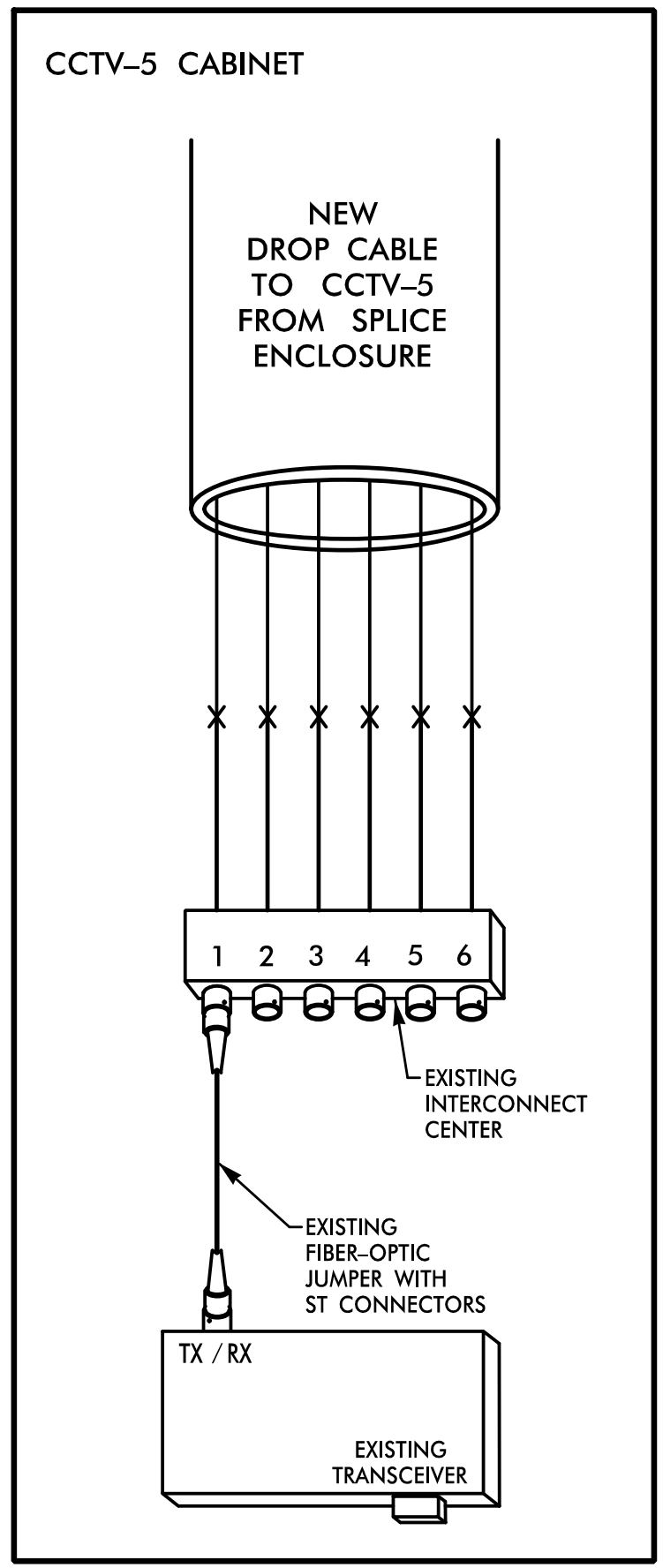
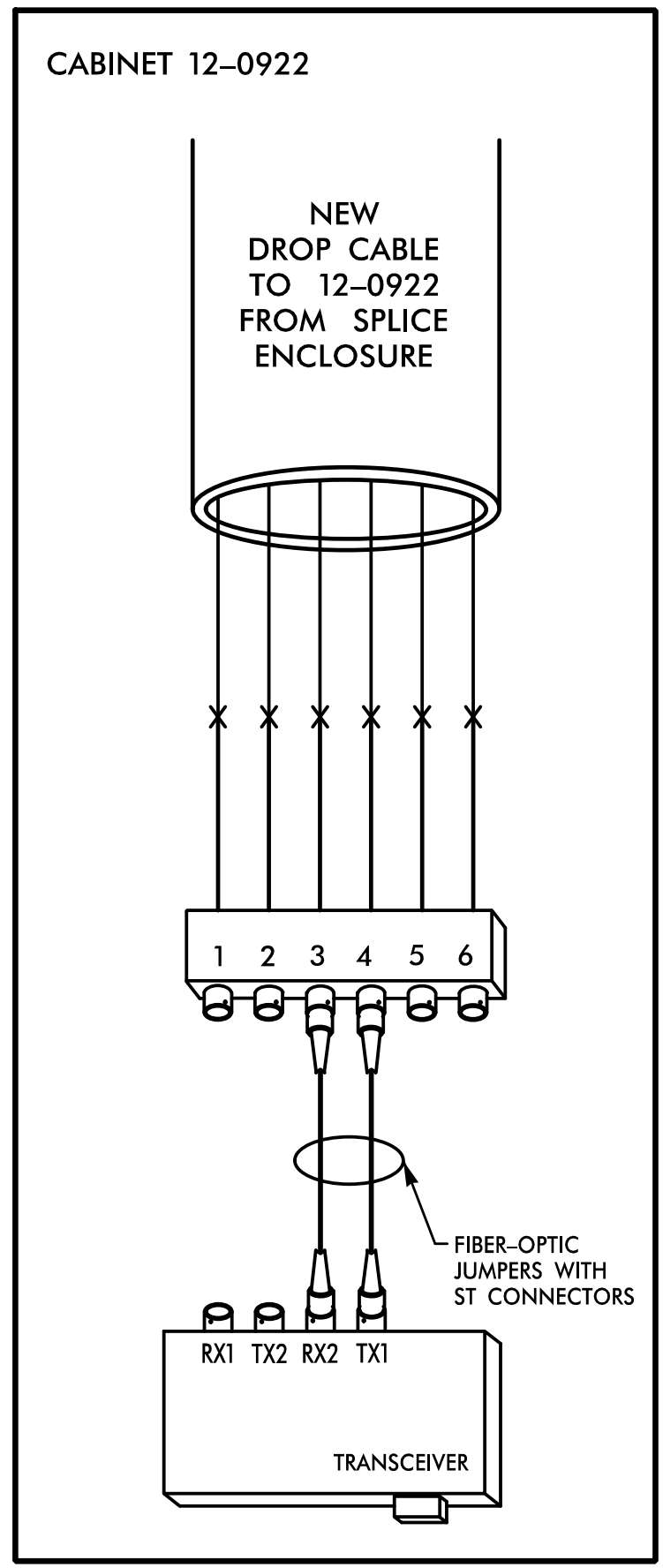
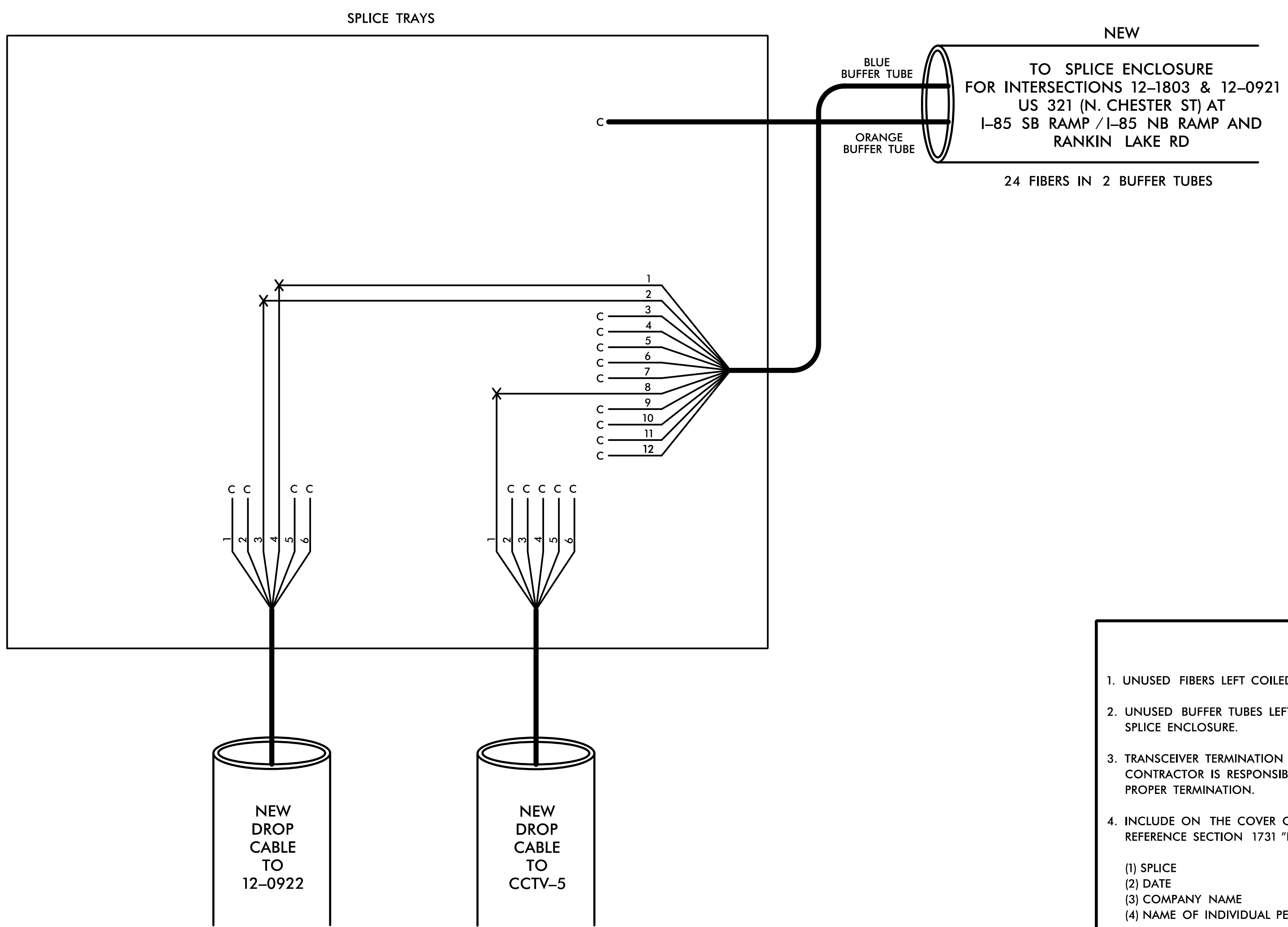


12-0922 & CCTV-5
 US 321 (N. CHESTER ST) AT BULB AVE / TULIP DR
 CHANNEL 11

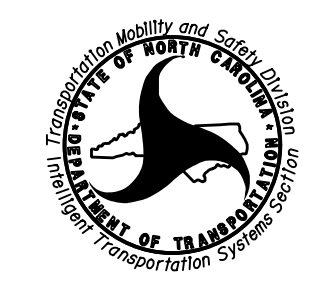

COLOR CODE		LEGEND	
TXA/EIA	598-C		
(1) BLUE	(7) RED	X =	NEW FUSION SPLICE INDIVIDUAL FIBER
(2) ORANGE	(8) BLACK	● =	EXISTING FUSION SPLICE
(3) GREEN	(9) YELLOW	C =	CAP AND SEAL
(4) BROWN	(10) VIOLET	EXPRESS	= EXPRESS ENTIRE BUFFER TUBE THROUGH WITHOUT CUTTING
(5) SLATE	(11) ROSE	BUFFER SPLICE	= SPLICE ALL FIBERS IN BUFFER TUBE COLOR TO COLOR
(6) WHITE	(12) AQUA		



- NOTES**
- UNUSED FIBERS LEFT COILED AND STORED IN SPLICE TRAY.
 - UNUSED BUFFER TUBES LEFT COILED AND STORED IN SPLICE ENCLOSURE.
 - TRANSCIVER TERMINATION CONFIGURATIONS ARE GENERIC. CONTRACTOR IS RESPONSIBLE FOR DETERMINING / ENSURING PROPER TERMINATION.
 - INCLUDE ON THE COVER OF EACH SPLICE TRAY THE FOLLOWING: REFERENCE SECTION 1731 "FIBER OPTIC SPLICE ENCLOSURE"
- (1) SPLICE
 (2) DATE
 (3) COMPANY NAME
 (4) NAME OF INDIVIDUAL PERFORMING THE SPLICING
- PRIOR TO INSTALLING THE COVER ON THE SPLICE TRAY, TAKE A DIGITAL PHOTOGRAPH SHOWING THE SPLICE TRAY AND INFORMATION SHOWN ABOVE (1-4) AND SUBMIT PHOTOGRAPH ALONG WITH OTRD TEST RESULTS.

CHANNEL 11 - SIG. INV. # 12-0922 & CCTV-5 **DOCUMENT NOT CONSIDERED FINAL UNLESS ALL SIGNATURES COMPLETED**

HNTB HNTB NORTH CAROLINA, P.C.
 343 E. Six Forks Road, Suite 200
 Raleigh, North Carolina 27609
 NC License No: C-1554
 (919) 546-8997

Plans Prepared for:  250 N. Greenfield Place, Garner, NC 27529	SPLICE DETAILS		SEAL  H.L. Winstead, Jr. 11/8/2016
	Division 12 Gaston Co. Gastonia PLAN DATE: September 2016 REVIEWED BY: N.R. Simmons PREPARED BY: T.R. Terrell REVIEWED BY: H.L. Winstead	SCALE NONE	

CADD File name: I-5000 SCP-11.dgn