

STATE OF NORTH CAROLINA
 DEPT. OF TRANSPORTATION
 DIVISION OF HIGHWAYS
 RALEIGH, N.C.

1-12

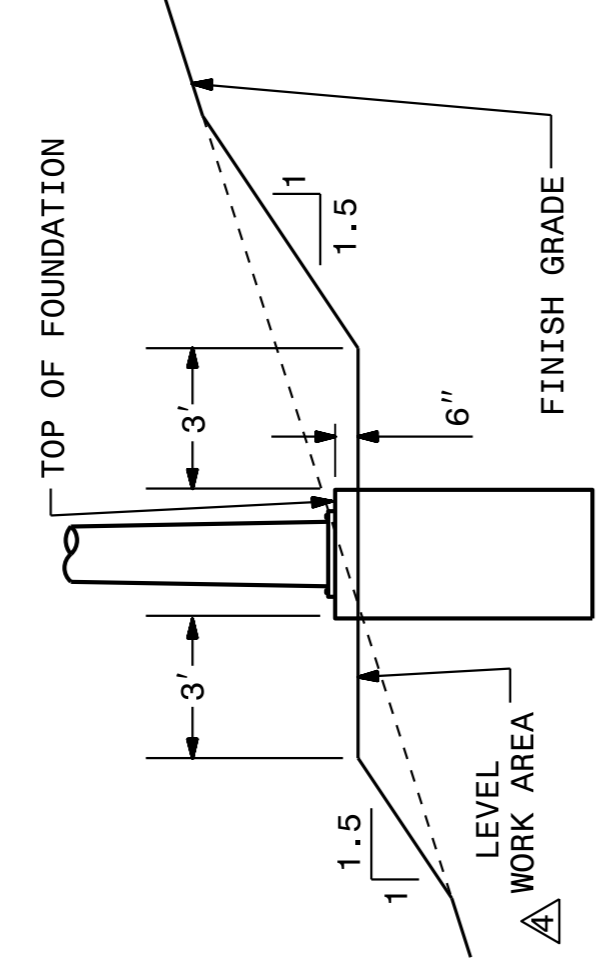
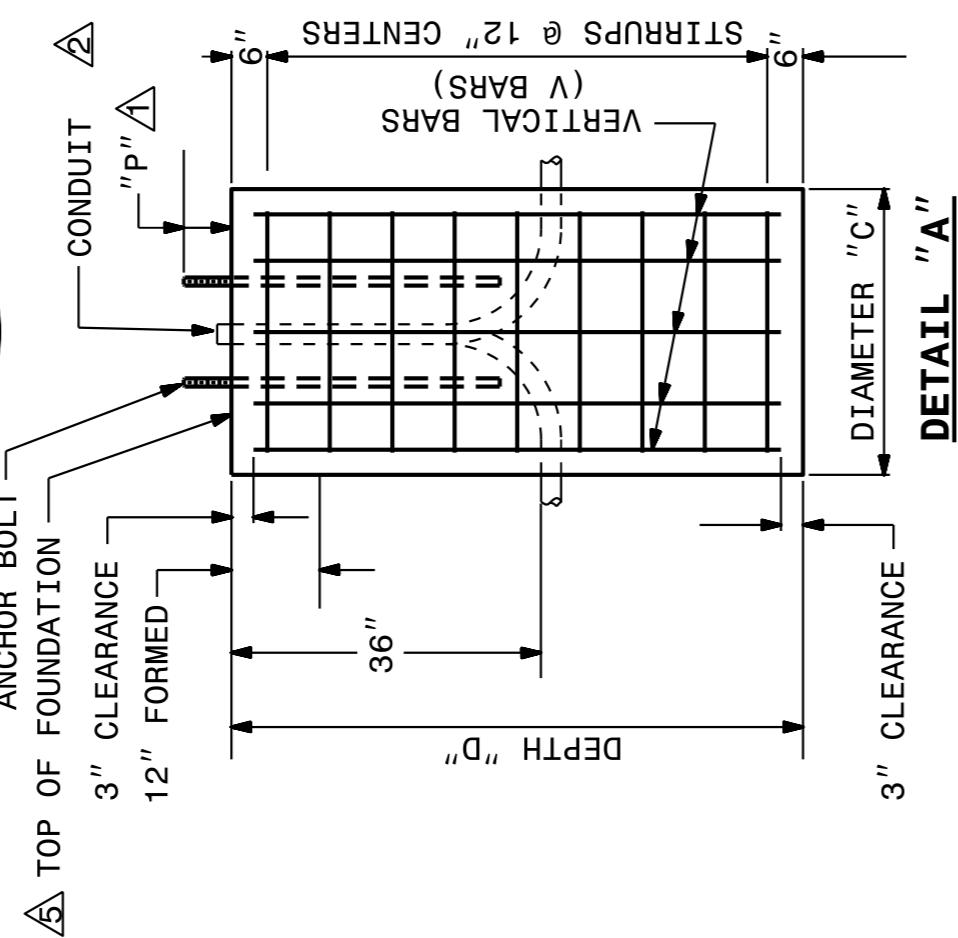
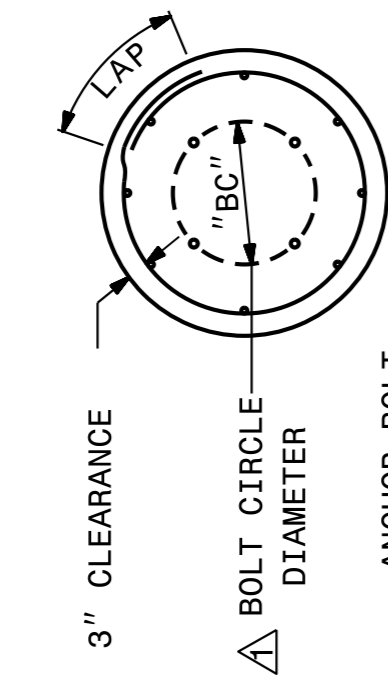
ENGLISH STANDARD DRAWING FOR
HIGH MOUNT FOUNDATION

SHEET 1 OF 1
1402D01

TABLE OF FOUNDATION DIMENSIONS AND QUANTITIES

HEIGHT OF HIGH MOUNT FT	STIRRUPS		WIND VELOCITY MPH										
	DIAMETER "C" FT	SIZE	90		110		130						
			DEPTH "D" FT	REINF. * STEEL LBS	CONCRETE CY	DEPTH "D" FT	REINF. * STEEL LBS	CONCRETE CY	DEPTH "D" FT	REINF. * STEEL LBS	CONCRETE CY		
60	3.5	#3	11	280	3.9	12	306	4.3	8	#8	13	331	4.6
80	3.5	#3	12	306	4.3	13	331	4.6	8	#8	15	382	5.3
100	4.0	#3	13	413	6.1	15	477	7.0	8	#9	16	509	7.4
120	4.5	#3	15	557	8.2	16	636	9.4	8	#10	18	716	10.6

* INCLUDES STIRRUPS AND VERTICAL BARS (V BARS)



DETAIL "B"

DETAIL "A"

NOTES

- ANCHOR BOLTS
 CONFORM NUMBER, SIZE, AND LENGTH OF ANCHOR BOLTS, BOLT CIRCLE DIAMETER "BC", AND ANCHOR BOLT PROJECTION "P" TO APPROVED HIGH MOUNT STANDARD DRAWINGS.
- CONDUITS
 MATCH ORIENTATION, QUANTITY, TYPE, AND SIZE OF CONDUITS TO THE LAYOUT SHEETS. STUB AND CAP ONE SPARE CONDUIT AT EACH FOUNDATION. PROJECT FOUNDATION. PLACE CONDUIT 2" ABOVE TOP OF FOUNDATION. PLACE CONDUIT 30" BENEATH FINISH GRADE. INCLUDE CONDUCTOR TO GROUND ROD AT HIGH MAST FOUNDATION.
- DIMENSIONS & QUANTITIES
 DIMENSIONS AND QUANTITIES OF CONCRETE AND REINFORCING STEEL ARE GIVEN FOR THE PURPOSE OF OBTAINING BID PRICES ONLY. SEE PROJECT SPECIAL PROVISIONS FOR OTHER STRUCTURAL REQUIREMENTS.
- WORK AREA
 PROVIDE A LEVEL WORK AREA AROUND EACH FOUNDATION. CUT/FILL SLOPES MAY BE ADJUSTED AS DIRECTED BY THE ENGINEER.
- ELEVATION
 SET TOP OF FOUNDATION AT .6" ABOVE LEVEL WORK AREA. SEE DETAIL "B".
- GUARDRAIL
 WHERE GUARDRAIL IS REQUIRED TO BE INSTALLED AS PART OF LIGHTING WORK, SET GUARDRAIL NO MORE THAN 8' FROM CENTER OF HIGH MAST FOUNDATION.

STATE OF NORTH CAROLINA
 DEPT. OF TRANSPORTATION
 DIVISION OF HIGHWAYS
 RALEIGH, N.C.

1-12

ENGLISH STANDARD DRAWING FOR
HIGH MOUNT FOUNDATION

SHEET 1 OF 1
1402D01

STATE OF NORTH CAROLINA
 DEPT. OF TRANSPORTATION
 DIVISION OF HIGHWAYS
 RALEIGH, N.C.

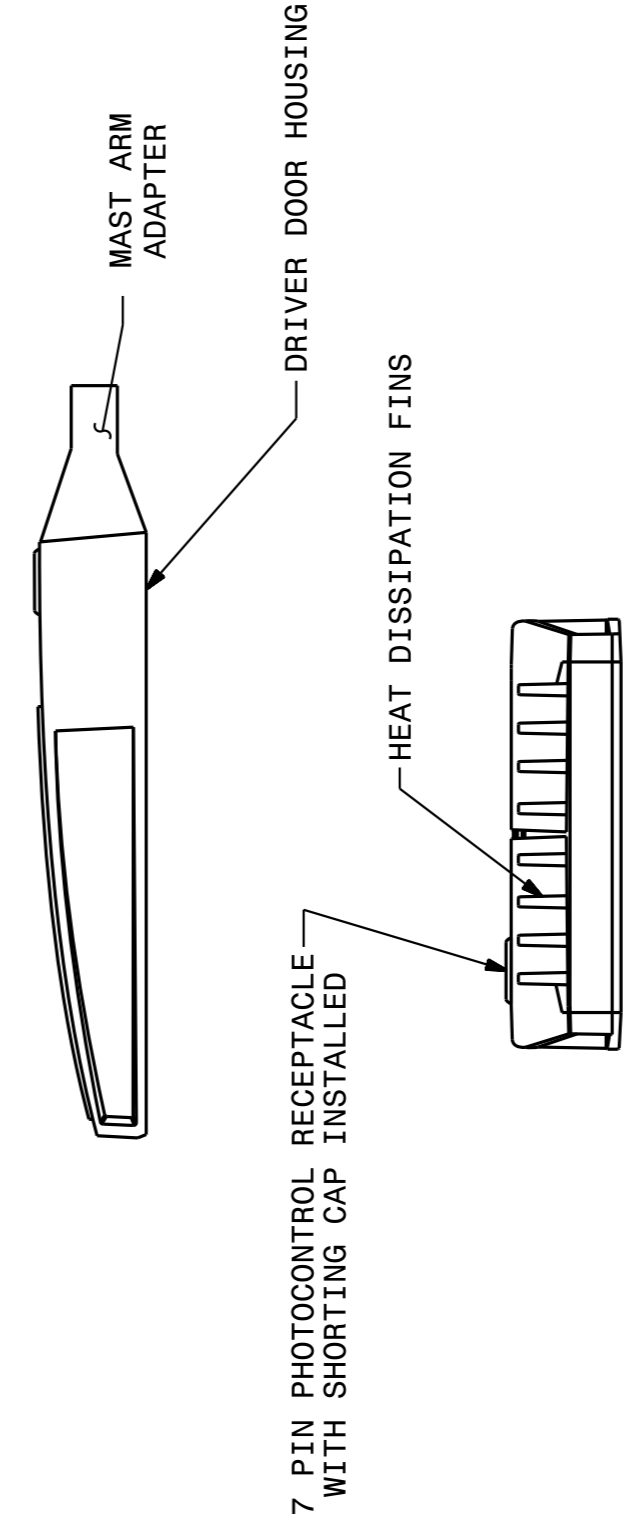
1-12

ENGLISH STANDARD DRAWING FOR
HIGH MOUNT LED LUMINAIRES

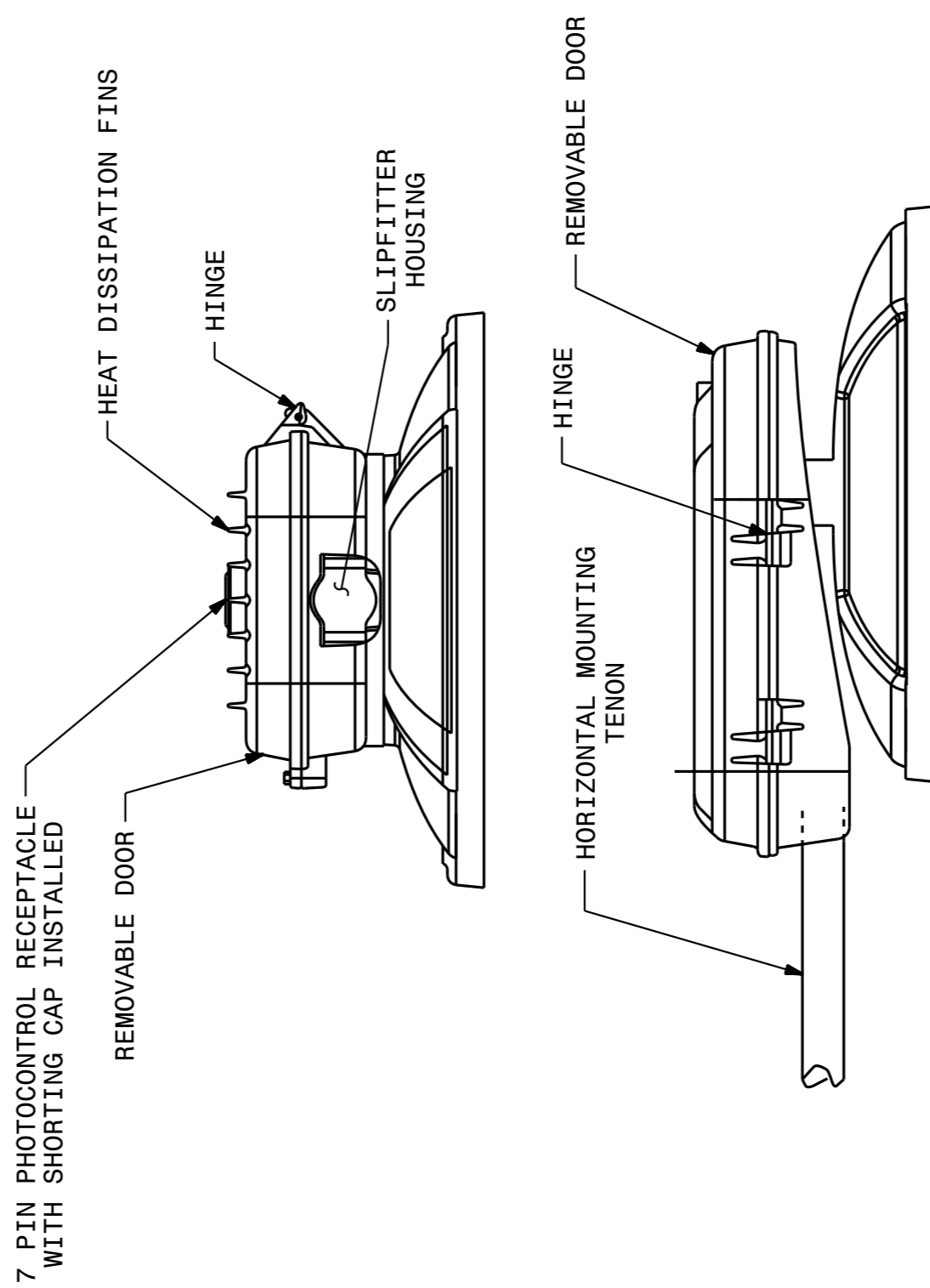
SHEET 1 OF 1
1403D01

TYPICAL CONFIGURATION TYPES

TYPE A



TYPE B



LED LUMEN PACKAGES

MOUNTING HEIGHT	# OF LUMINAIRES	MAXIMUM LUMINAIRE MAINTAINED WATTAGE	MINIMUM LUMINAIRE MAINTAINED LUMENS	MINIMUM PERCENT OF INITIAL OUTPUT (100K HOURS & 25° C)	COLOR TEMP.
60'	4	320	23,300	87%	4,000K ±500K
80'	8	320	23,300	87%	4,000K ±500K
100'	6	550	44,250	87%	4,000K ±500K
120'	8	550	44,250	87%	4,000K ±500K

NOTES

- SEE PLANS FOR LIES DISTRIBUTION

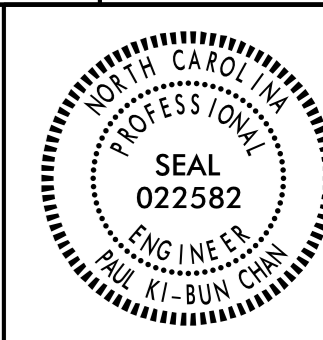
STATE OF NORTH CAROLINA
 DEPT. OF TRANSPORTATION
 DIVISION OF HIGHWAYS
 RALEIGH, N.C.

1-12

ENGLISH STANDARD DRAWING FOR
HIGH MOUNT LED LUMINAIRES

SHEET 1 OF 1
1403D01

2			
1			
Rev.	Date	Description	Approved
NORTH CAROLINA DEPARTMENT OF TRANSPORTATION ROADWAY DESIGN LIGHTING/ELECTRICAL SECTION HIGH MOUNT FOUNDATION AND HIGH MOUNT LED LUMINAIRE DETAILS I-85/US 321 INTERCHANGE GASTON COUNTY			
Drawn By:	AB	Approved By:	Dwg No.:



DocuSigned by:
 Paul Chan 11/14/2016

DOCUMENT NOT CONSIDERED FINAL UNLESS ALL SIGNATURES COMPLETED