

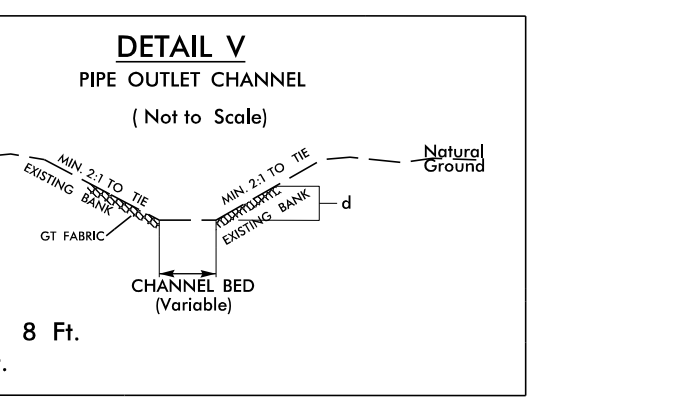
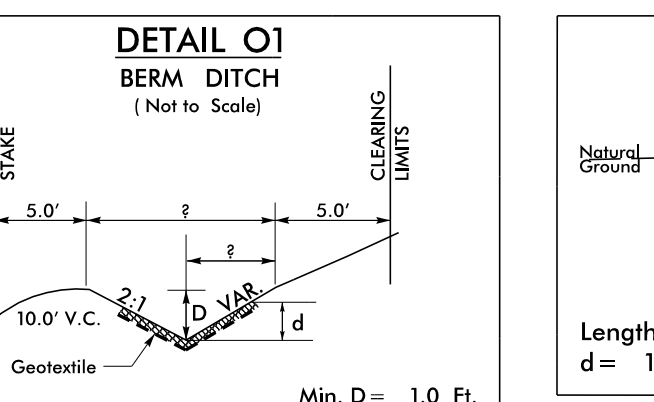
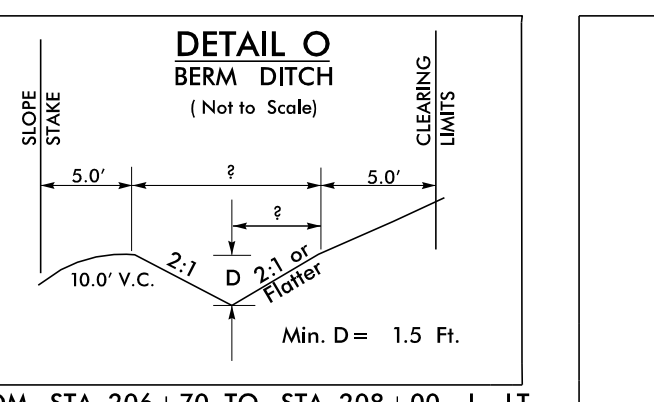
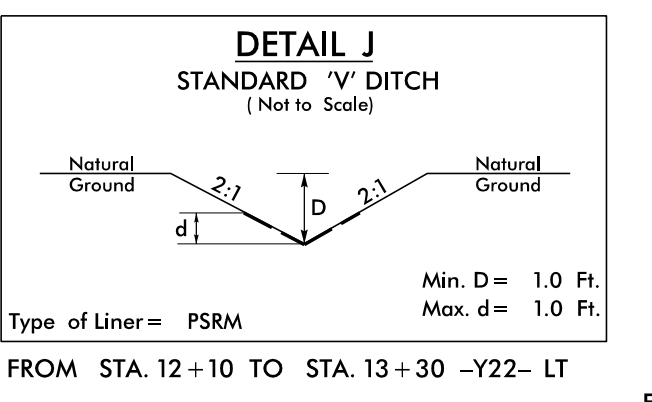
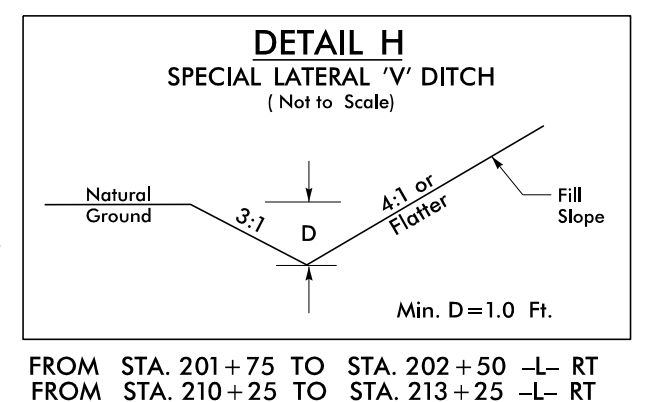
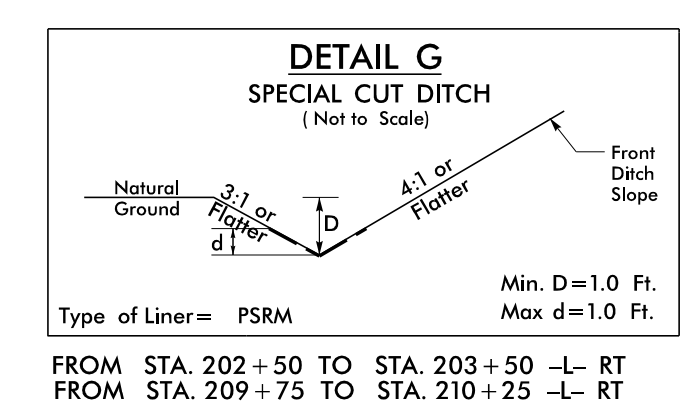
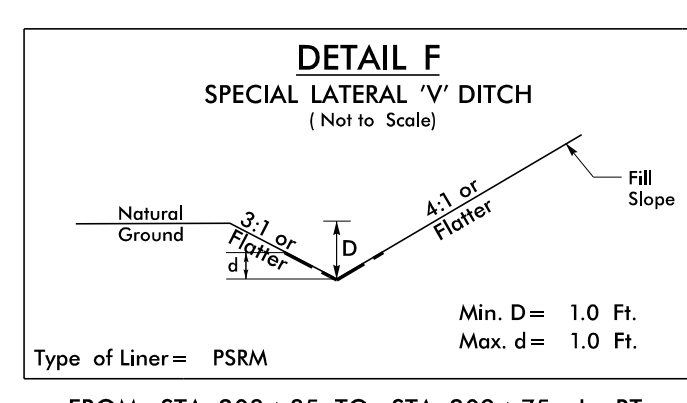
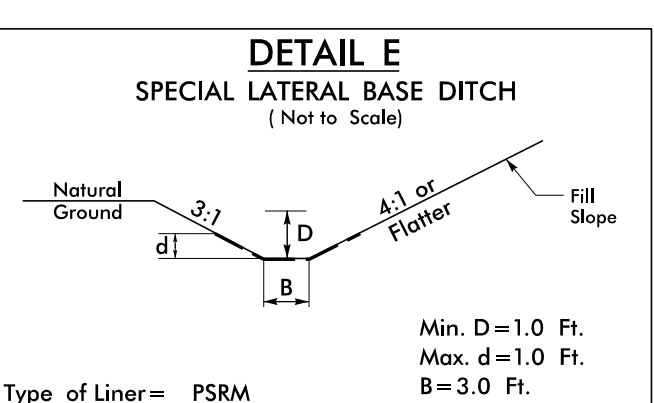
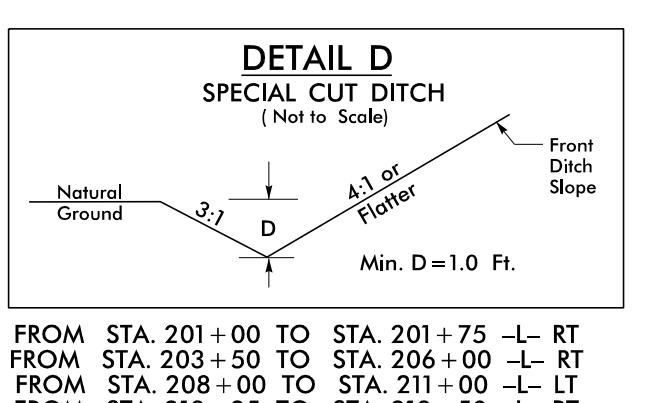
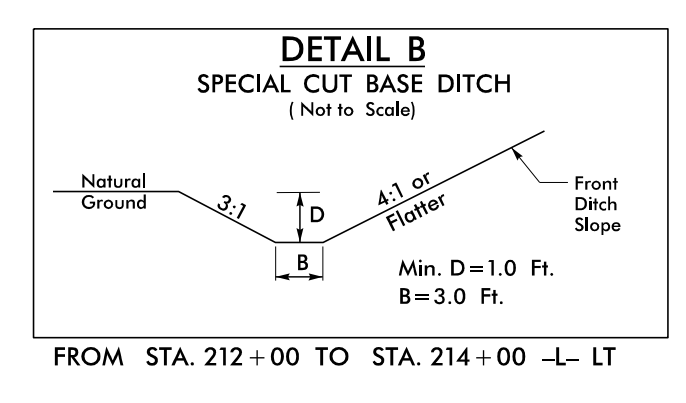
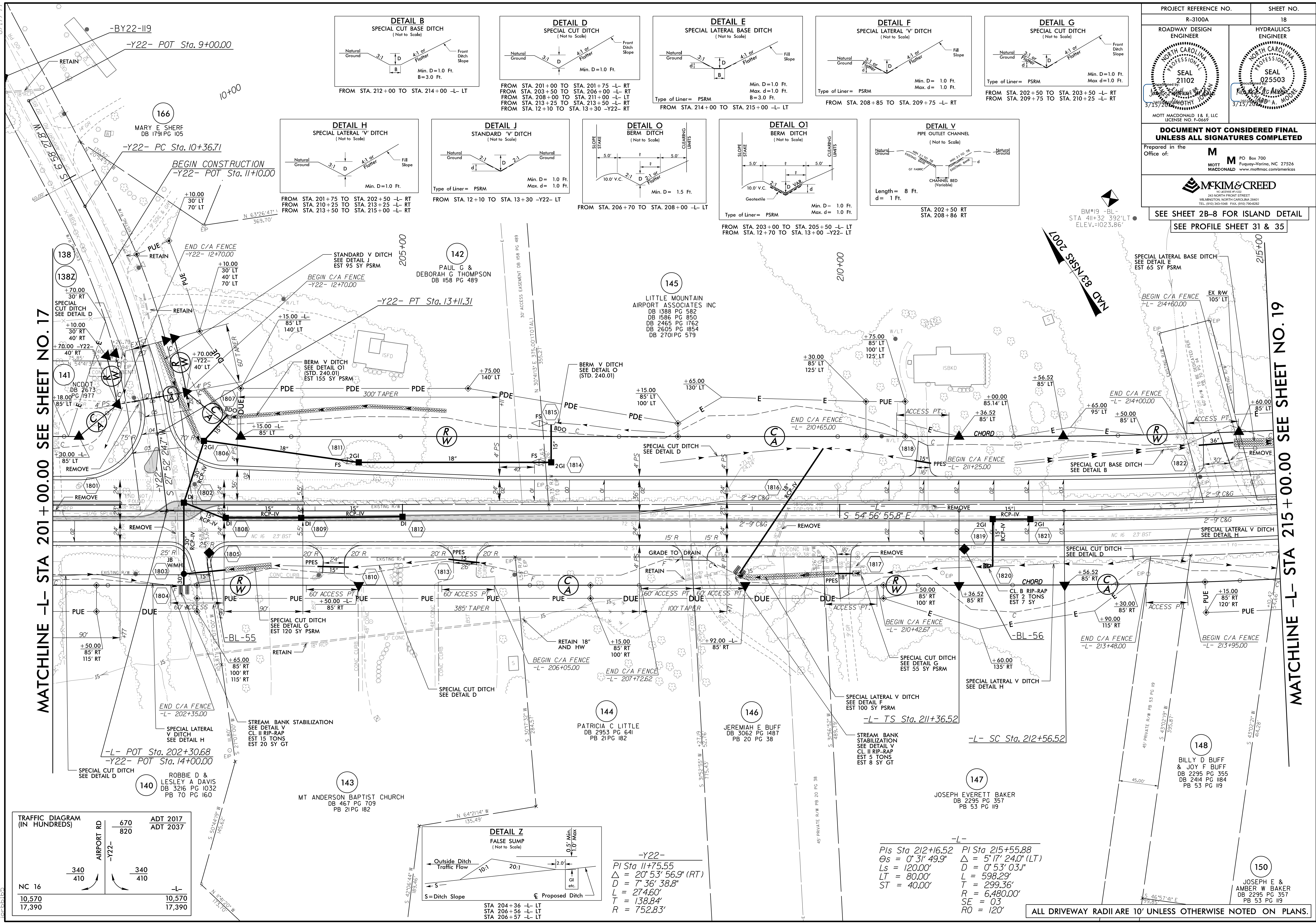
PROJECT REFERENCE NO. R-3100A	SHEET NO. 18
ROADWAY DESIGN ENGINEER MOTT MACDONALD 1 & E, LLC LICENSE NO. F-06697	HYDRAULICS ENGINEER MOTT MACDONALD 1 & E, LLC LICENSE NO. F-06697

**DOCUMENT NOT CONSIDERED FINAL
UNLESS ALL SIGNATURES COMPLETED**

Prepared in the Office of:
M M PO Box 700
 Fugate-Vernon, NC 27526
 MOTT MACDONALD www.mottmac.com/americas

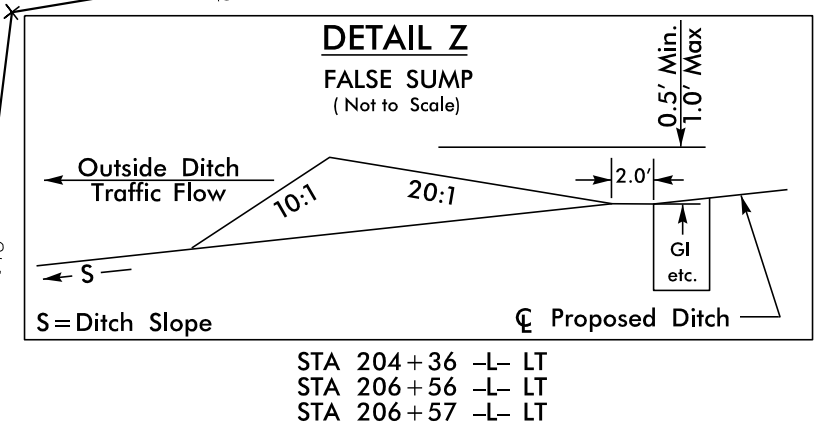
MCKIM & CREED
 LICENSE NO. 1022
 343 NORTH FRONT STREET
 WILMINGTON, NORTH CAROLINA 28401
 TEL: (910) 343-1048 FAX: (910) 796-6292

SEE SHEET 2B-8 FOR ISLAND DETAIL
 SEE PROFILE SHEET 31 & 35



TRAFFIC DIAGRAM (IN HUNDREDS)

NC 16	AIRPORT RD -Y22-	ADT 2017	ADT 2037
10,570	340 / 410	670	820
17,390	340 / 410	-L-	10,570
			17,390



-Y22-
 PI Sta 11+75.55
 $\Delta = 20^{\circ} 53' 56.9''$ (RT)
 D = 7' 36" 38.8"
 L = 274.60'
 T = 138.84'
 R = 752.83'

-L-
 PI Sta 212+16.52
 $\Delta = 0^{\circ} 31' 49.9''$
 Ls = 120.00'
 LT = 80.00'
 ST = 40.00'

PI Sta 215+55.88
 $\Delta = 5^{\circ} 17' 24.0''$ (LT)
 D = 0' 53" 03.1"
 L = 598.29'
 T = 299.36'
 R = 6,480.00'
 SE = 03
 RO = 120'

ALL DRIVEWAY RADII ARE 10' UNLESS OTHERWISE NOTED ON PLANS.

MATCHLINE -L- STA 201+00.00 SEE SHEET NO. 17

MATCHLINE -L- STA 215+00.00 SEE SHEET NO. 19

F:\13357D5A-C745-45EA-ABA7-357205CEA745\Drawings\Roadway\18.dwg