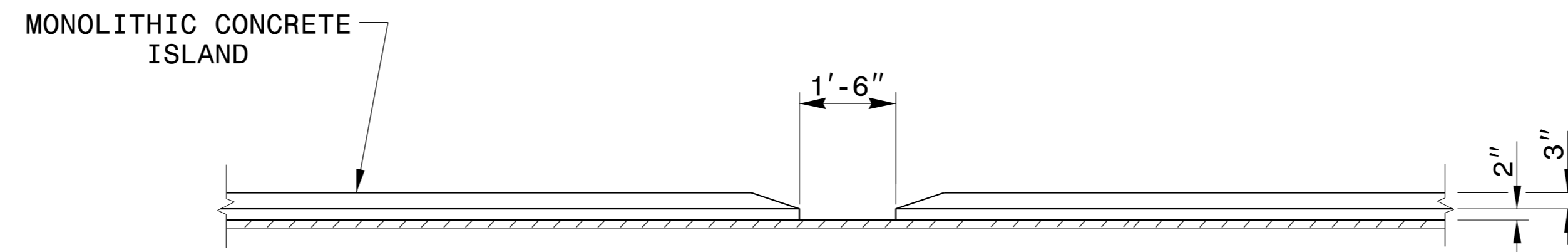


TRIANGULAR ISLANDS WILL BE CONSTRUCTED AS SHOWN IN THE ROADWAY PLANS OR AS DIRECTED BY THE ENGINEER.
SEE R.S.D.N 852.01 FOR CONCRETE ISLANDS

PLAN VIEW



ELEVATION



DOCUMENT NOT CONSIDERED FINAL
UNLESS ALL SIGNATURES COMPLETED

CONTRACT STANDARDS AND DEVELOPMENT UNIT
Office 919-707-6950 FAX 919-250-4119

DRAINAGE OPENING THRU MONOLITHIC ISLAND

ORIGINAL BY: _____ DATE: 2-5-02
 MODIFIED BY: _____ DATE: _____
 CHECKED BY: _____ DATE: _____
 FILE SPEC.: s:\details\stand\Curb Ramp Thru Island.dgn

\$\$\$\$\$
 C:\Users\jshelton\Documents\Projects\2017\3100A\2C-6.dwg
 3/16/2017 10:00:00 AM
 J. SHELTON
 3/16/2017