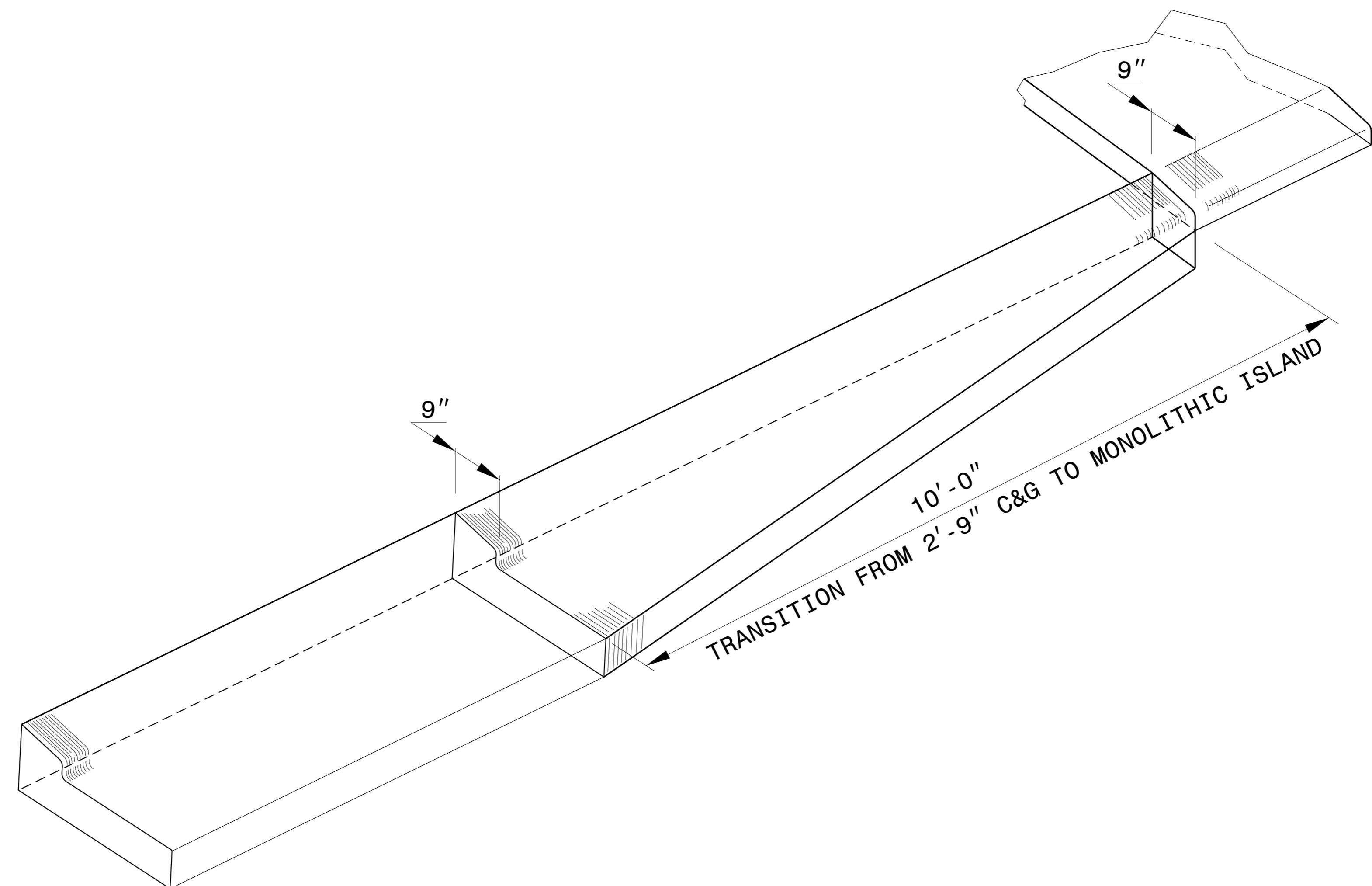


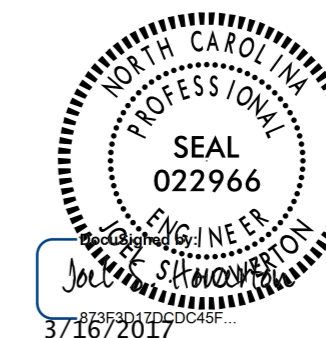
2'-9" CURB AND GUTTER

NOTE: SEE STD. DWG. 846.01 FOR ADDITIONAL CURB AND GUTTER INFORMATION.

SEE ROADWAY PLANS FOR LOCATION OF CURB TRANSITION.



**ISOMETRIC VIEW OF
TRANSITIONING CURB & GUTTER**



DOCUMENT NOT CONSIDERED FINAL
UNLESS ALL SIGNATURES COMPLETED

**CONTRACTS STANDARDS
AND DEVELOPMENT UNIT**
Office 919-707-6950 FAX 919-250-4119

**DETAIL OF 2'-9"
CURB & GUTTER
TRANSITION SECTION**

ORIGINAL BY: _____ DATE: _____
 MODIFIED BY: KKEMPF DATE: 09-24-14
 CHECKED BY: _____ DATE: _____
 FILE SPEC.: kkempf/english/curb gutter tansion.dgn