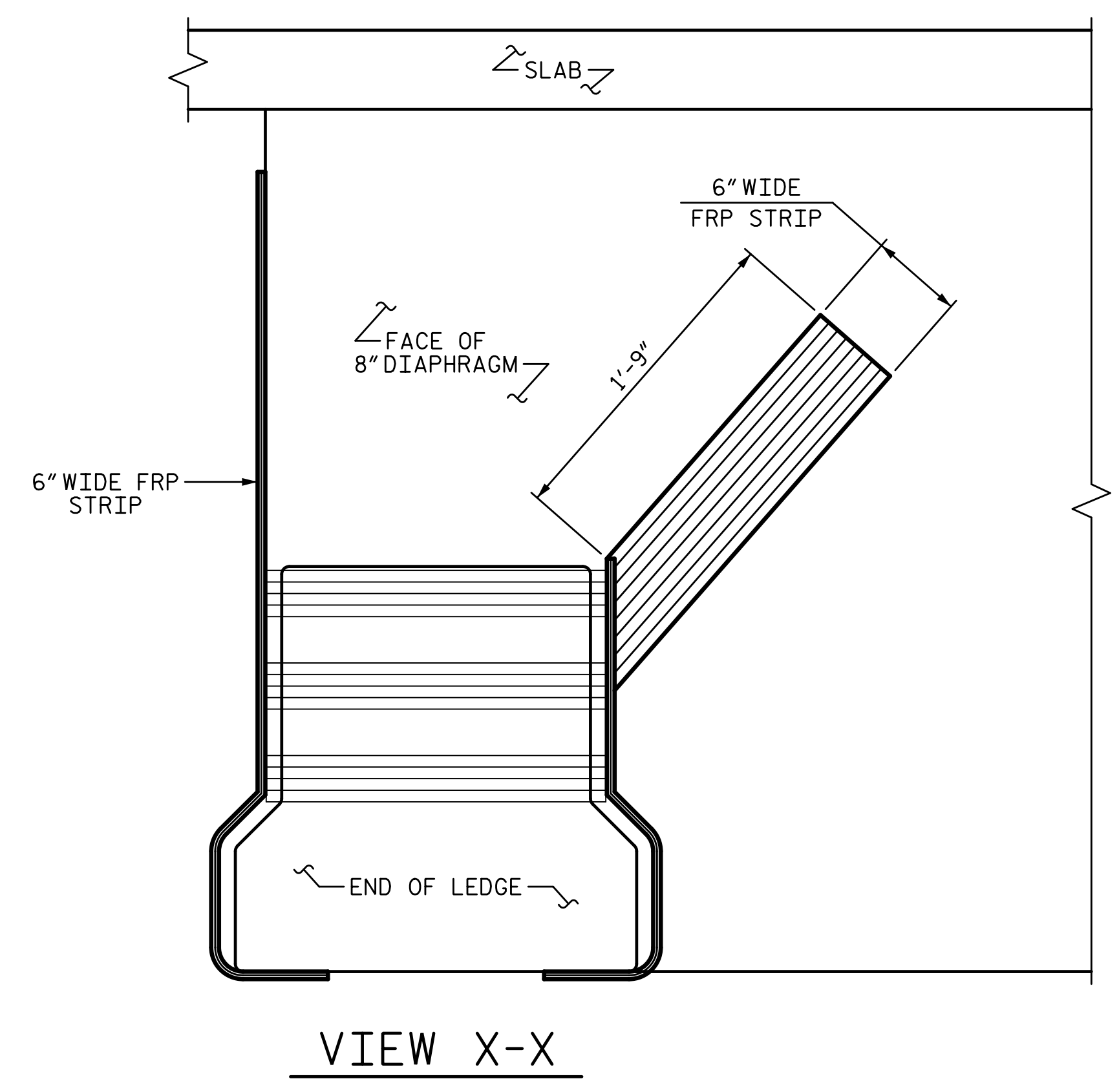


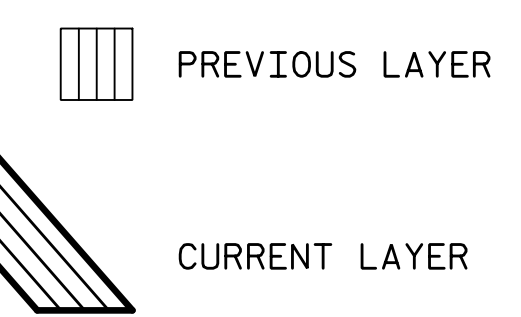
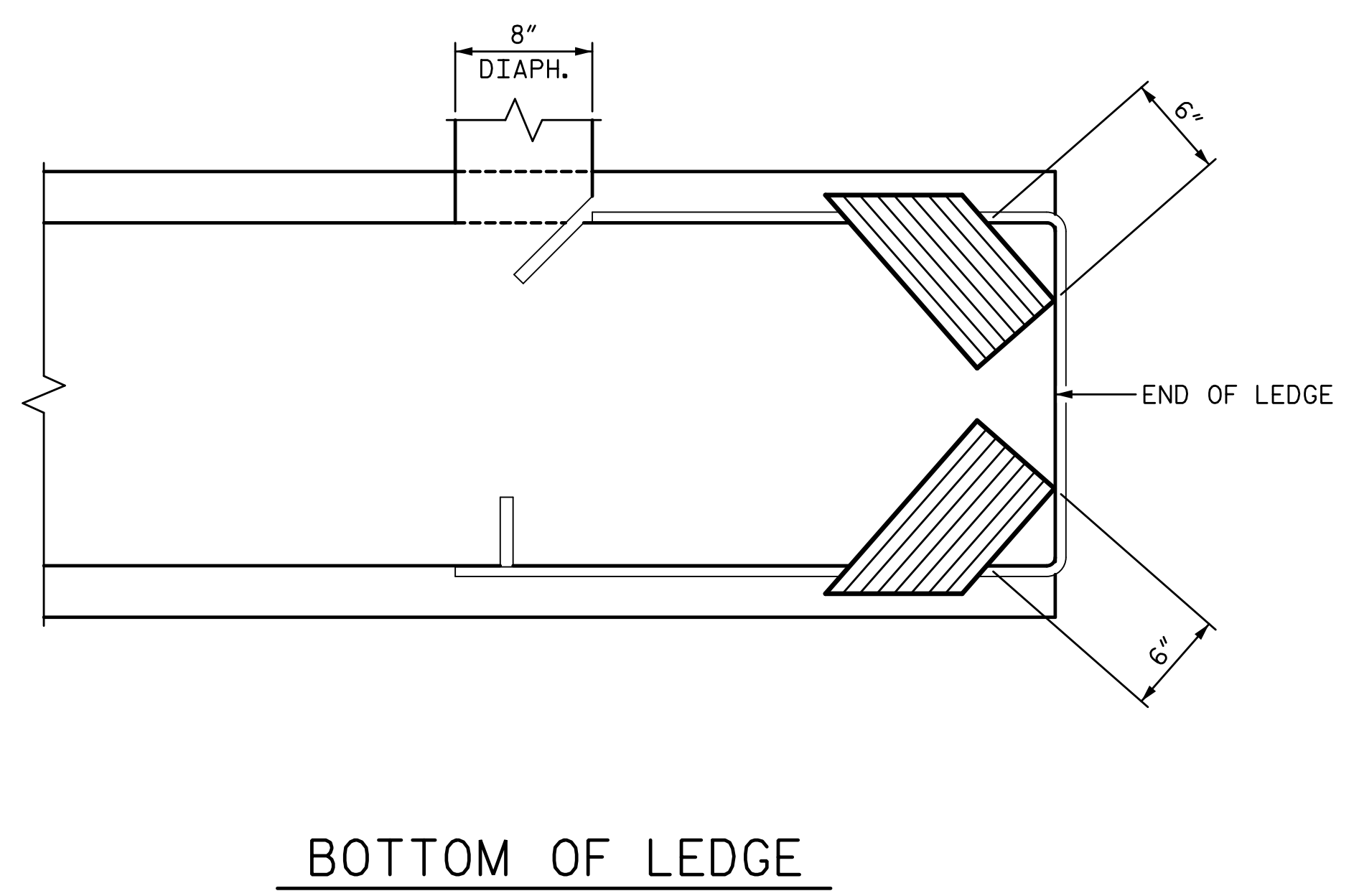
4/10/2017 8:07:16 AM G:\Projects\2015\Carteret 6 FRP Repair\Structures\Drawings\Final\Carteret 6_smu_repairs.dgn

NOTES:
LAYER 1 NOT SHOWN FOR CLARITY.



BILL OF MATERIAL		
	INTERIOR GIRDER	EXTERIOR GIRDER
	SF	SF
LAYER 1	206	85
LAYER 2	124	58
LAYER 3	59	28
TOTAL	389	171
** FRP STRENGTHENING SYSTEM		560 SF

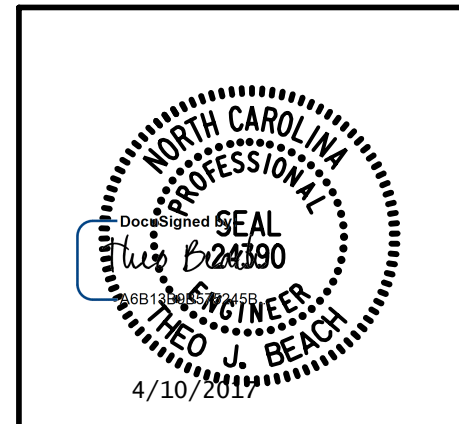
** QUANTITIES INCLUDED BOTH HINGE LOCATIONS FOR ALL INTERIOR AND EXTERIOR GIRDERS



PROJECT NO. B-5939
CARTERET COUNTY
BRIDGE NO.: 6
SHEET 15 OF 15

STATE OF NORTH CAROLINA
DEPARTMENT OF TRANSPORTATION
RALEIGH
PRESERVATION
FRP STRIPS LAYER 3
FOR
EXTERIOR GIRDERS
FRP HINGE REPAIR

PLANS PREPARED BY:
SE & A
SIMPSON ENGINEERS ASSOCIATES
5640 Dillard Drive
Suite 200
Cary, NC 27518
(919) 852-0468
(919) 852-0538 (Fax)
www.simpsonengr.com
LICENSURE NO. C-2521



REVISIONS						SHEET NO.
NO.	BY:	DATE:	NO.	BY:	DATE:	S2-60
1			3			TOTAL SHEETS
2			4			

DRAWN BY: <u>T. BANKOVICH</u>	DATE: <u>4-16</u>
CHECKED BY: <u>N.J. MABRY</u>	DATE: <u>4-16</u>
DESIGN ENGINEER OF RECORD: <u>T.J. BEACH</u>	DATE: <u>4-16</u>

**DOCUMENT NOT CONSIDERED FINAL
UNLESS ALL SIGNATURES COMPLETED**