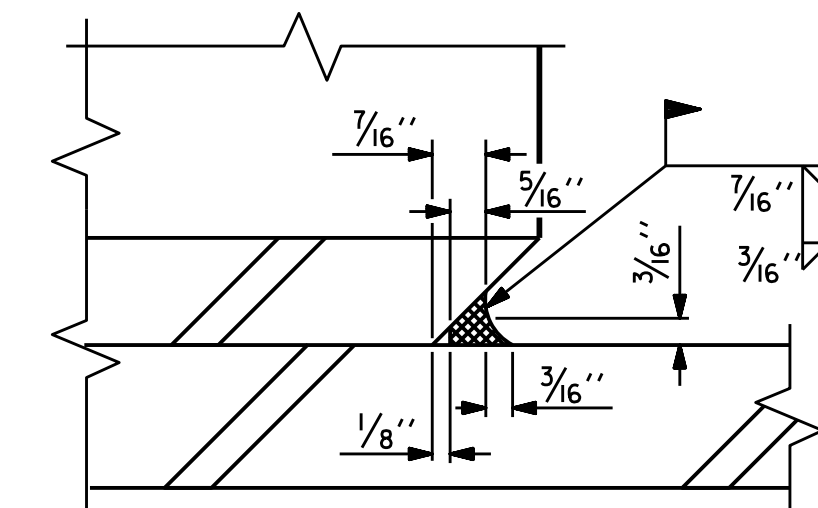
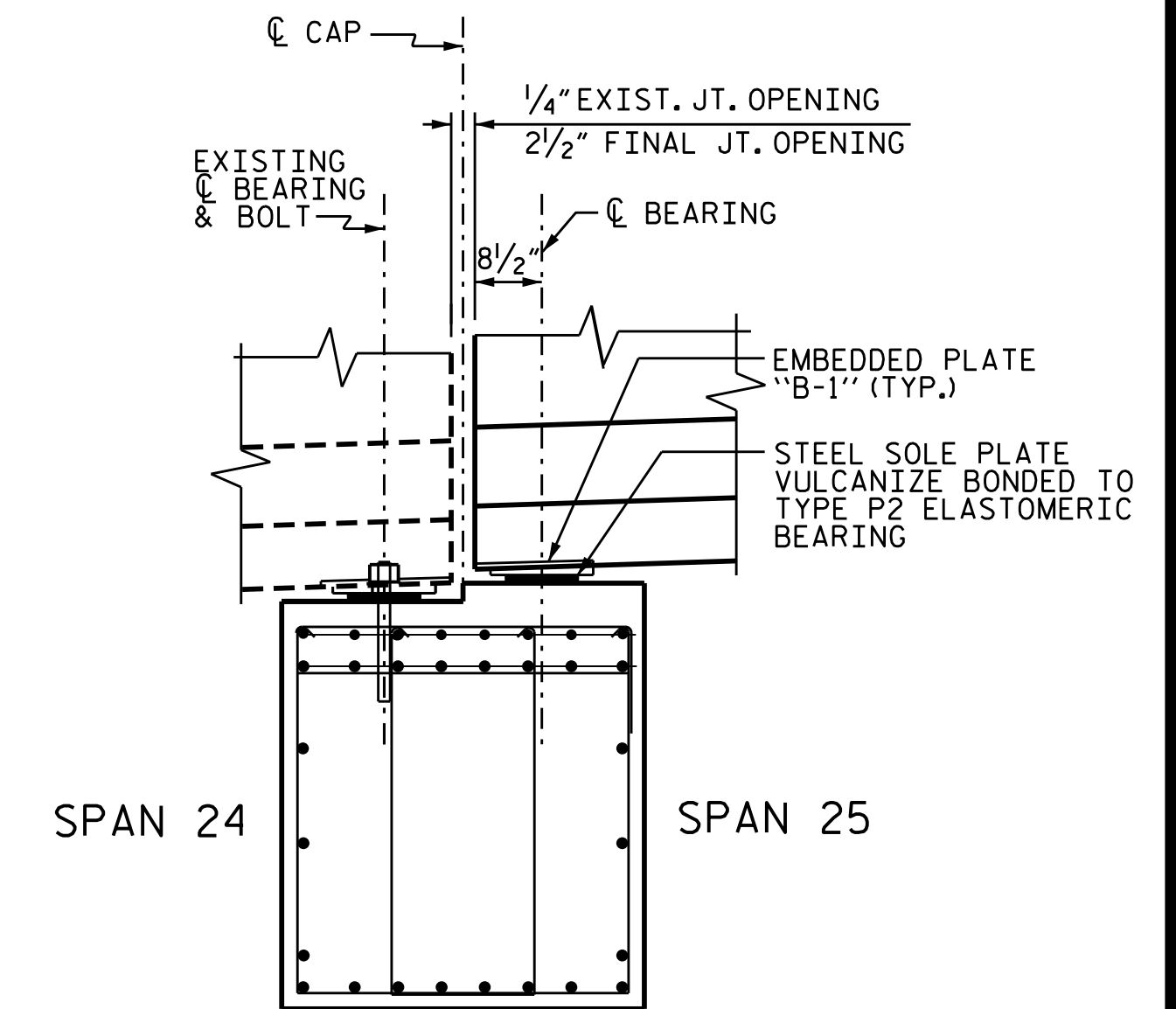


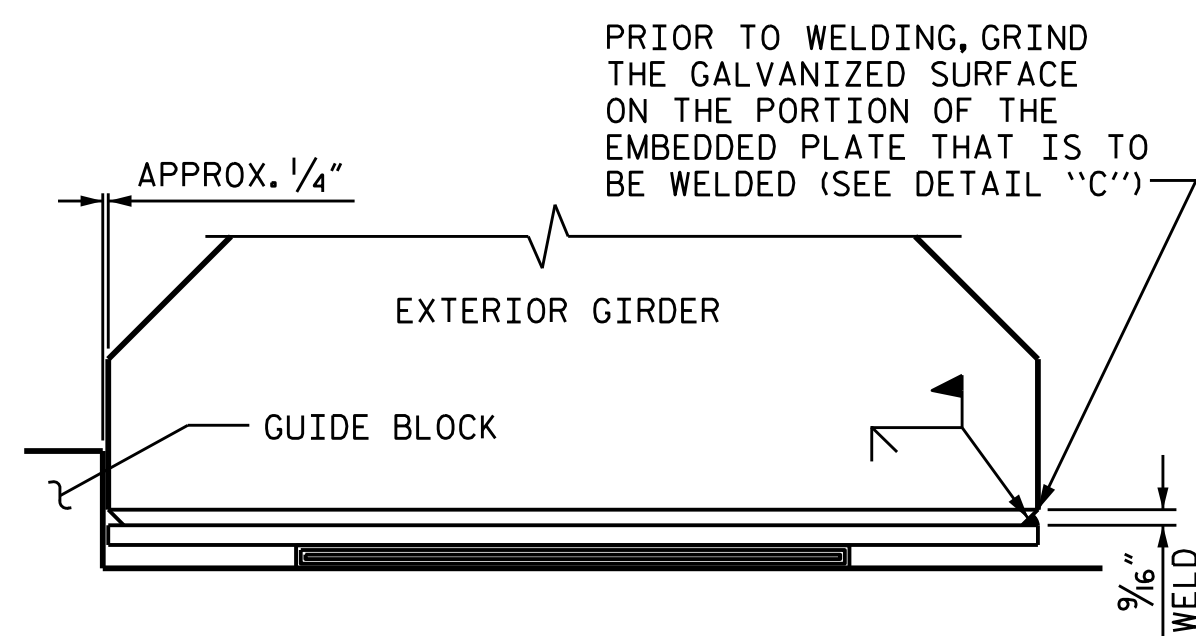
PART ELEVATION AT BENT 24 & 25
 EXPANSION END SPAN 24 OR 25
 (EXISTING REINFORCING SHOWN)



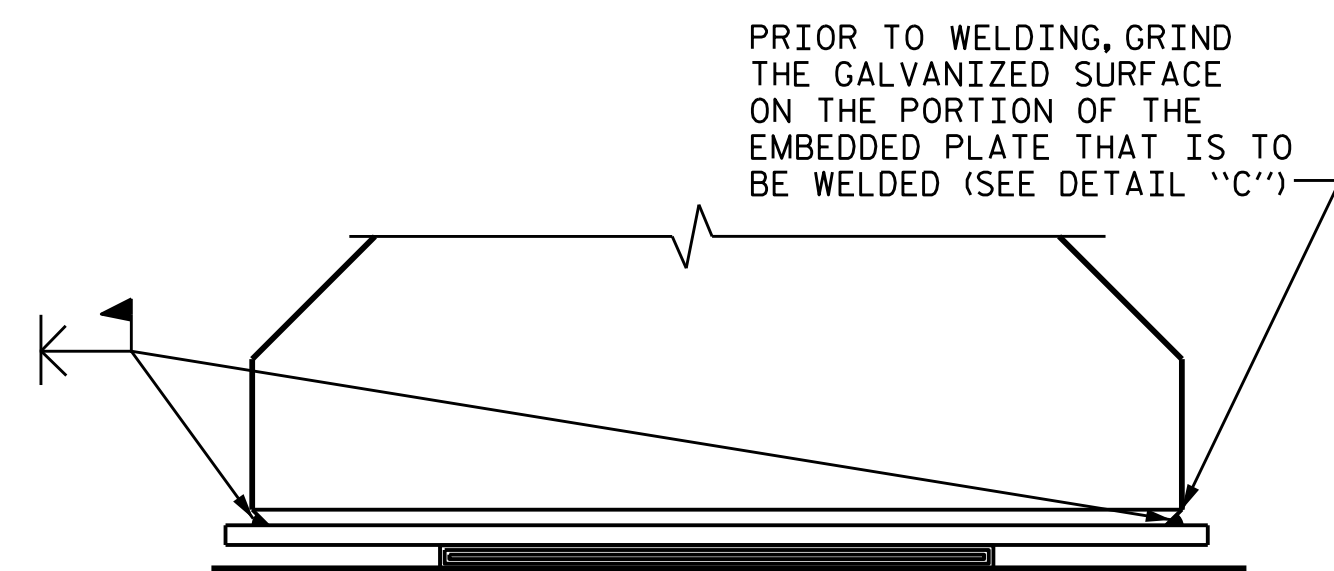
DETAIL "C"



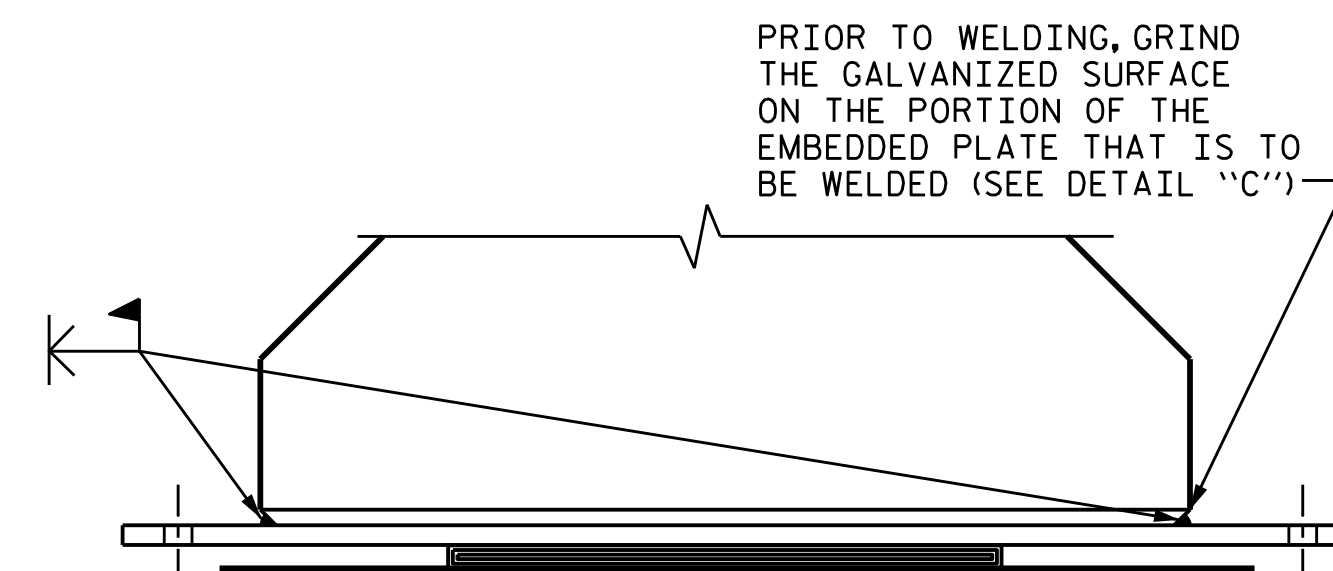
SECTION D-D @ BENT 24
 (GIRDERS 2-6)



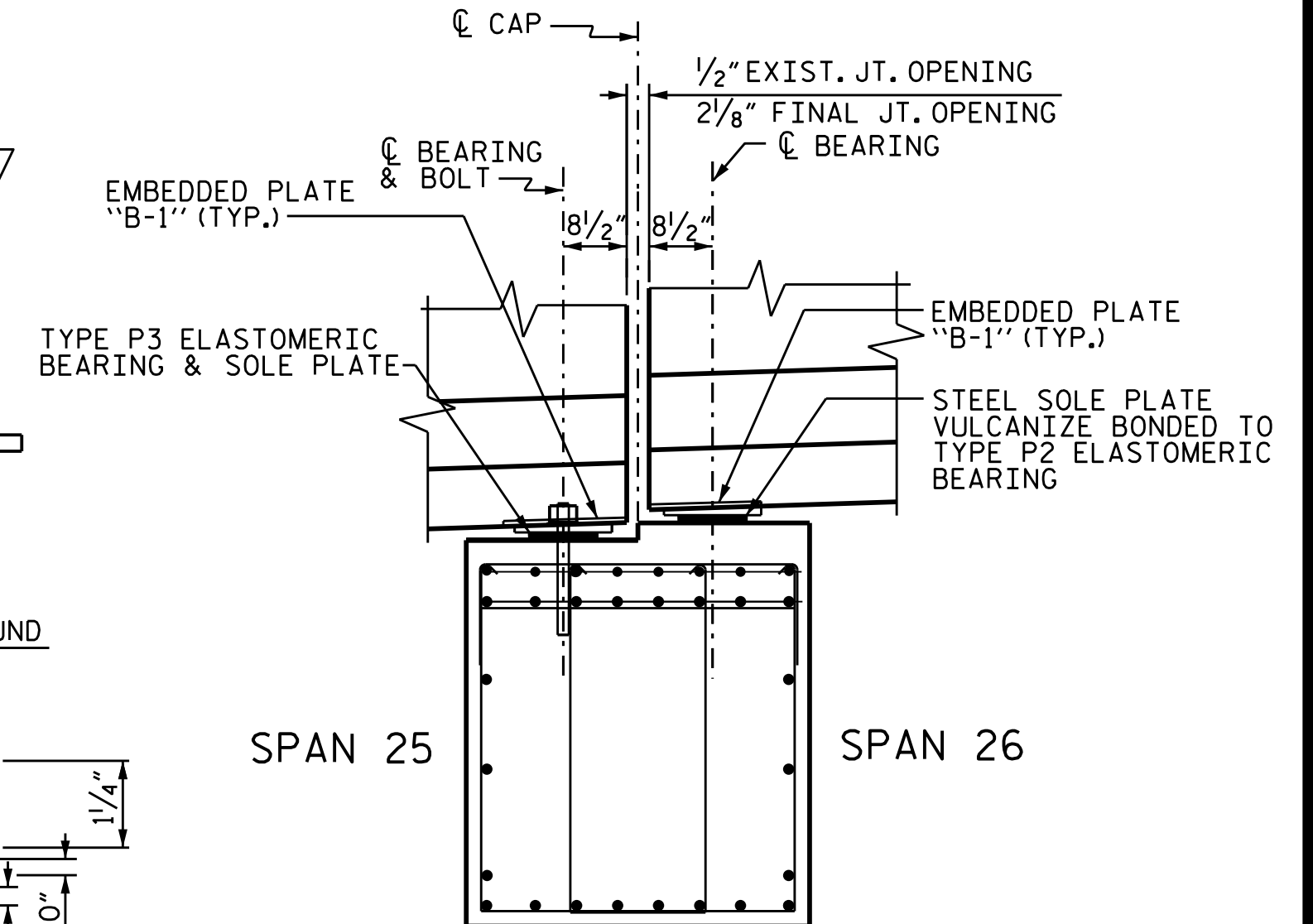
ELEVATION



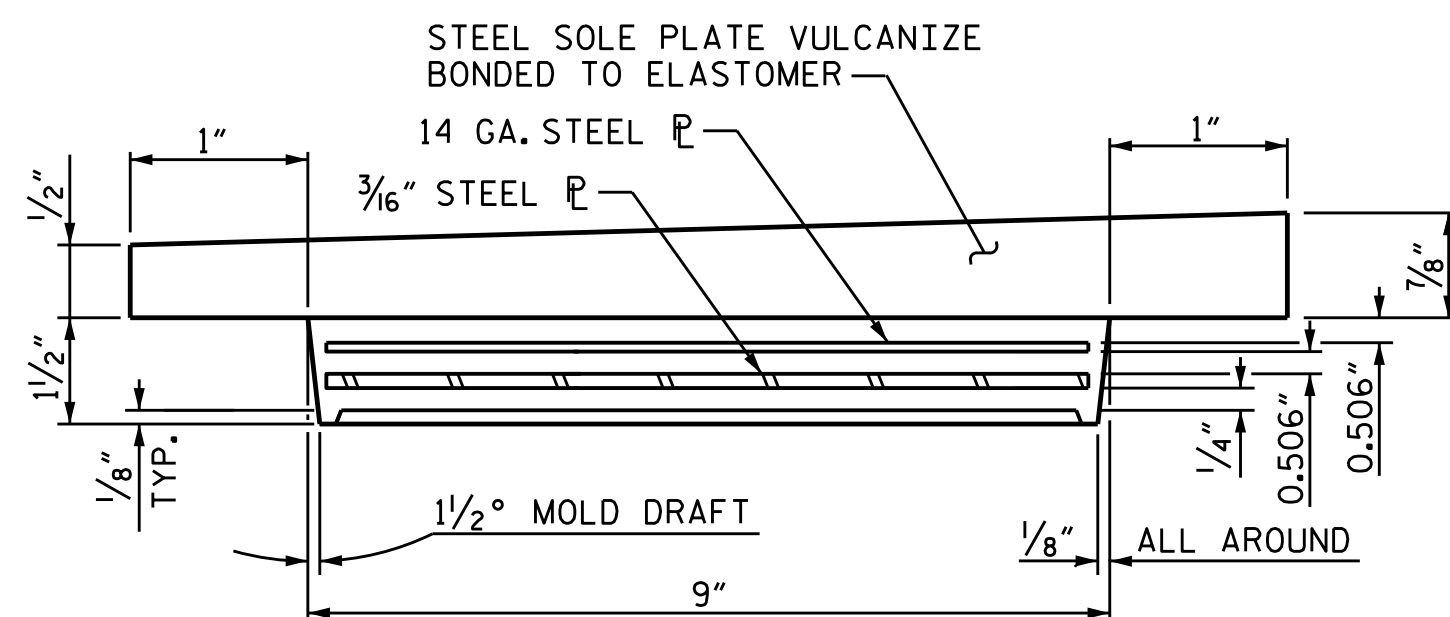
ELEVATION



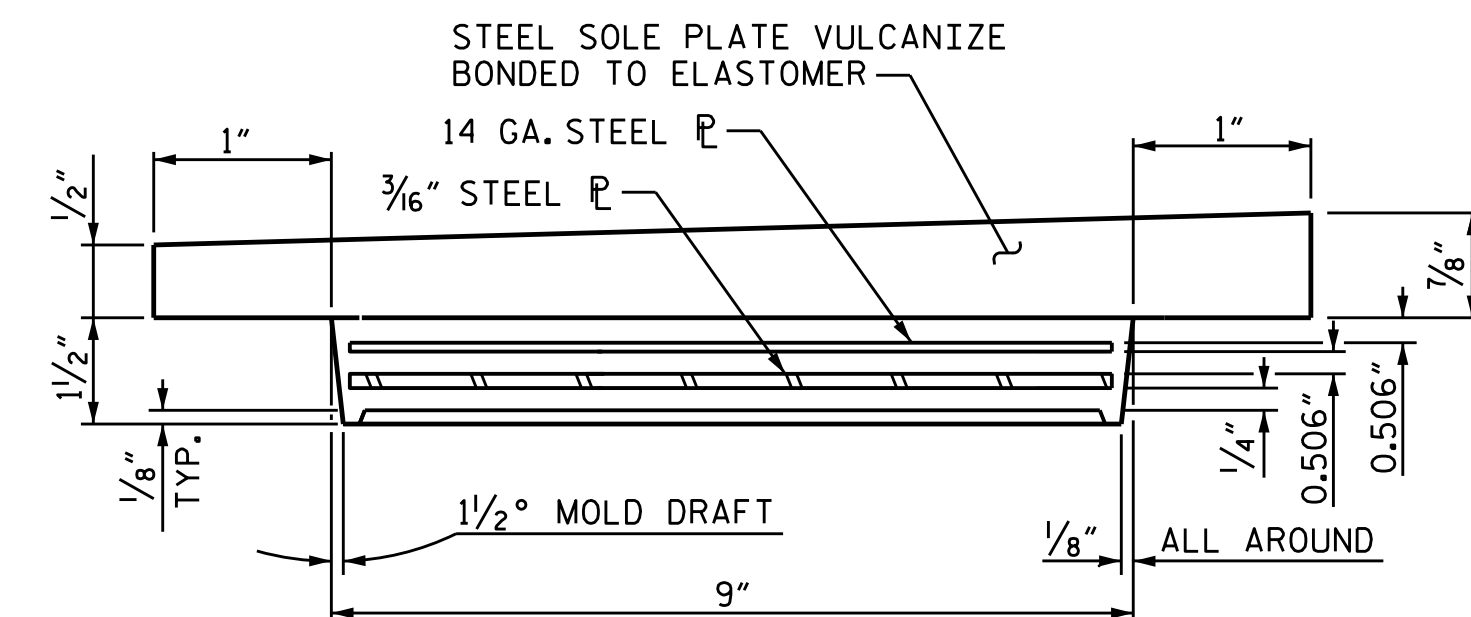
ELEVATION



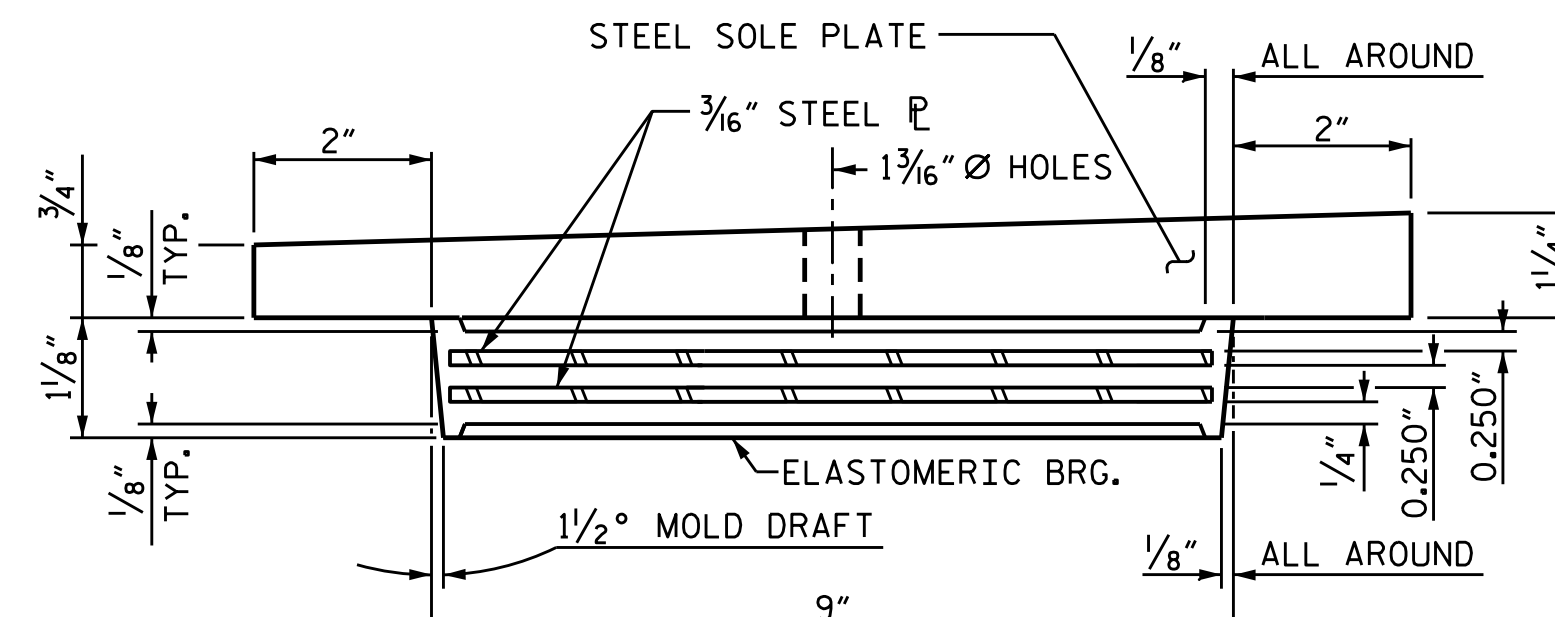
SECTION D-D @ BENT 25
 (GIRDERS 2-6)



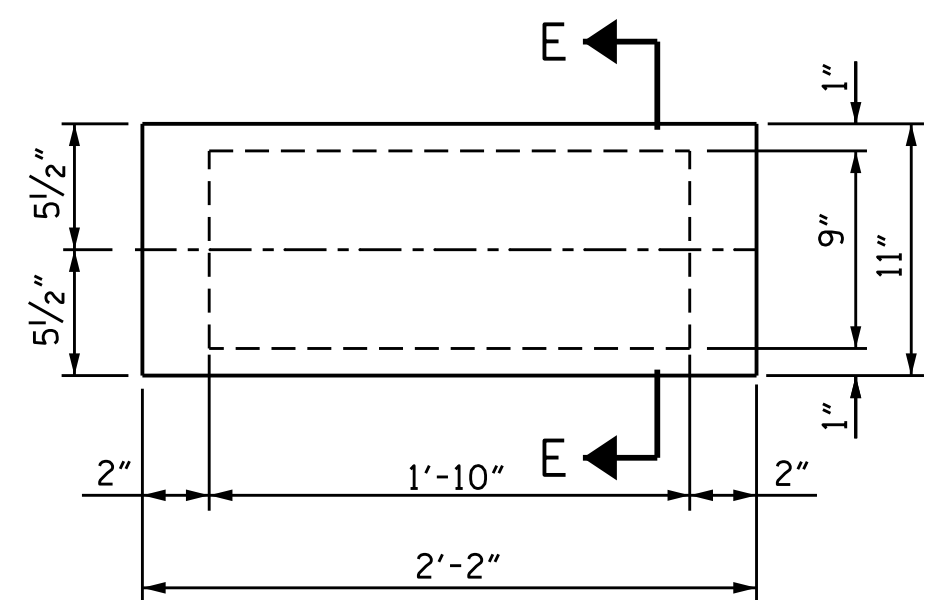
SECTION E-E



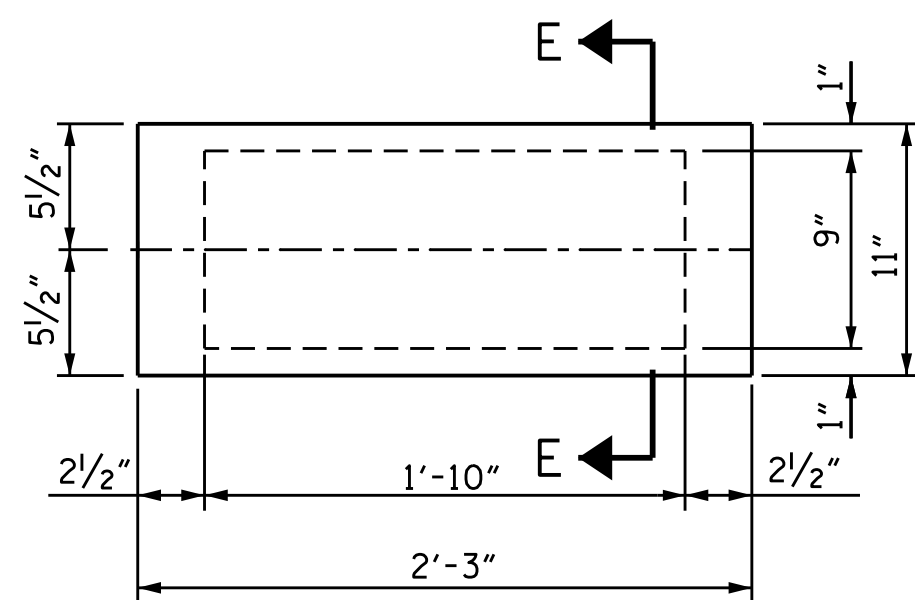
SECTION E-E



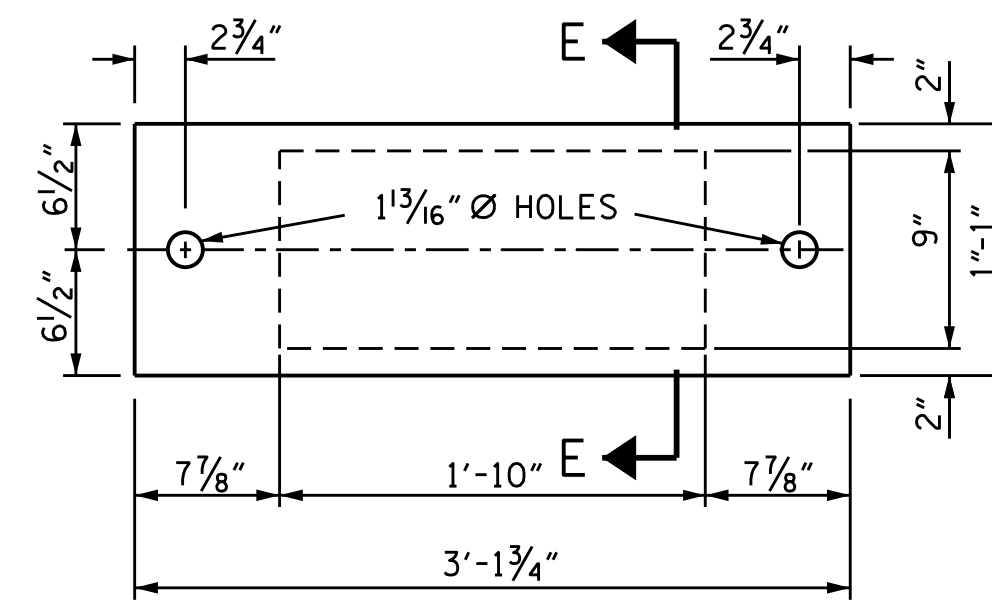
SECTION E-E



PLAN



PLAN



PLAN

DETAILS OF TYPE P1 ELASTOMERIC BEARING & SOLE PLATE

FOR GIRDERS 1 & 7 ON ALL SPANS

DETAILS OF TYPE P2 ELASTOMERIC BEARING & SOLE PLATE

FOR GIRDERS 2 - 6 ON SOUTH END OF SPANS

DETAILS OF TYPE P3 ELASTOMERIC BEARING & SOLE PLATE

FOR GIRDERS 2 - 6 ON NORTH END OF SPANS



PROJECT NO. B-5938
 COUNTY: CARTERET
 BRIDGE NO. 68
 SHEET 5 OF 6

STATE OF NORTH CAROLINA
 DEPARTMENT OF TRANSPORTATION
 RALEIGH
SPAN RE-POSITIONING BEARING REPLACEMENT

DRAWN BY: WJ HARRIS DATE: JAN. 2017
 CHECKED BY: GW DICKEY DATE: JAN. 2017

22-FEB-2017 07:04

gdickey

DOCUMENT NOT CONSIDERED FINAL UNLESS ALL SIGNATURES COMPLETED

REVISIONS						SHEET NO.
NO.	BY	DATE	NO.	BY	DATE	S1-13
1			3			TOTAL SHEETS
2			4			