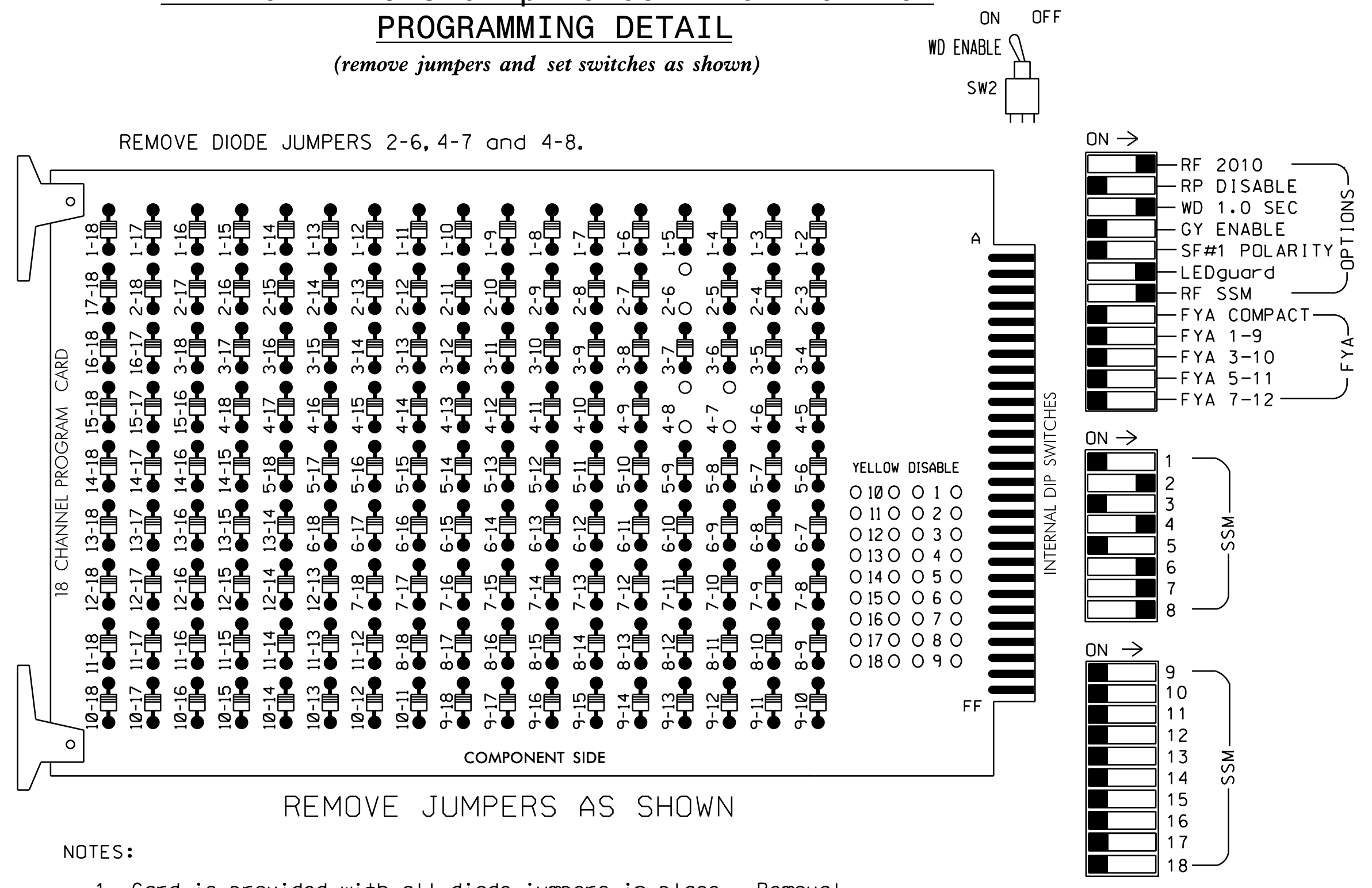


**EDI MODEL 2018EClip-NC CONFLICT MONITOR PROGRAMMING DETAIL**  
(remove jumpers and set switches as shown)



- NOTES:**
- Card is provided with all diode jumpers in place. Removal of any jumper allows its channels to run concurrently.
  - Ensure jumpers SEL2-SEL5 and SEL9 are present on the monitor board.
  - Ensure that Red Enable is active at all times during normal operation.
  - Integrate monitor with Ethernet network in cabinet.

**NOTES**

- To prevent "flash-conflict" problems, insert red flash program blocks for all unused vehicle load switches in the output file. The installer shall verify that signal heads flash in accordance with the Signal Plans.
- Enable Simultaneous Gap-Out for all phases.
- Program phases 2 and 6 for Start Up In Green.
- Program phases 2 and 6 for Yellow Flash.
- The cabinet and controller are part of the Asheville Signal System.

**EQUIPMENT INFORMATION**

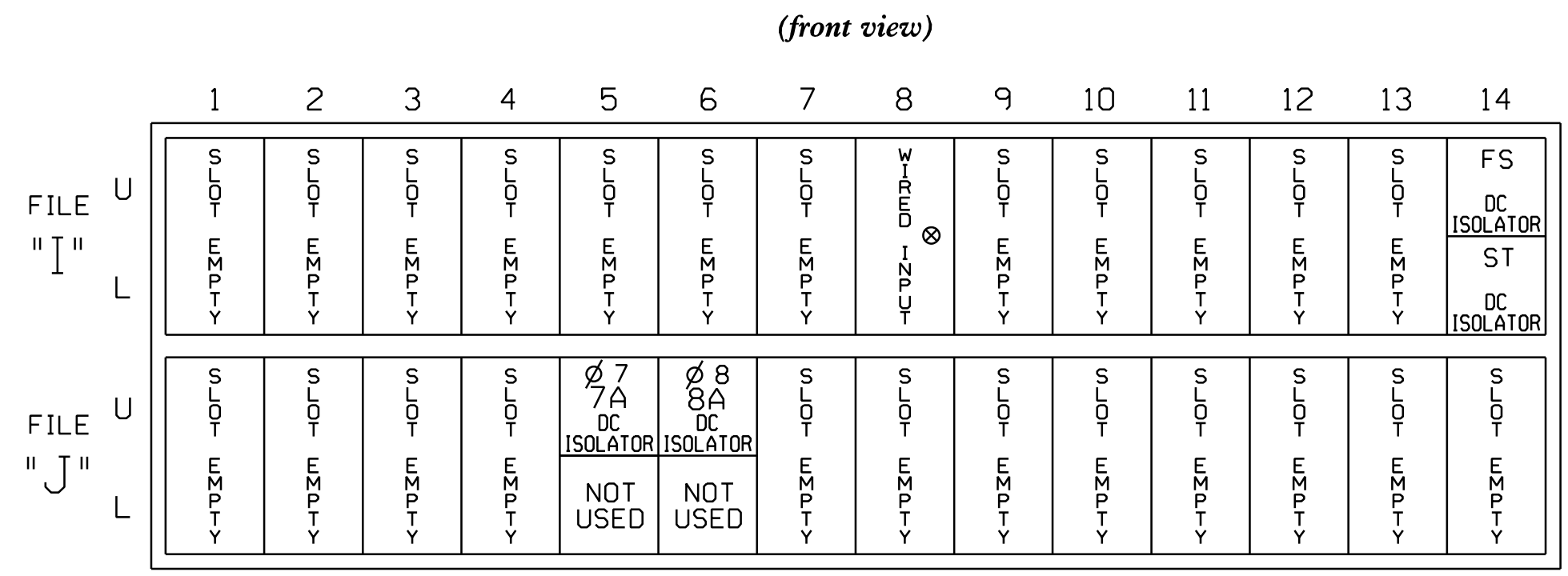
CONTROLLER.....2070E  
 CABINET.....332  
 SOFTWARE.....ECONOLITE OASIS  
 CABINET MOUNT.....BASE  
 OUTPUT FILE POSITIONS...12  
 LOAD SWITCHES USED.....S2,S5,S8,S10,S11  
 PHASES USED.....2,4,6,7,8  
 OVERLAPS.....NONE

**SIGNAL HEAD HOOK-UP CHART**

LOAD SWITCH NO.	S1	S2	S3	S4	S5	S6	S7	S8	S9	S10	S11	S12
CMU CHANNEL NO.	1	2	13	3	4	14	5	6	15	7	8	16
PHASE	1	2	2 PED	3	4	4 PED	5	6	6 PED	7	8	8 PED
SIGNAL HEAD NO.	NU	21,22	NU	NU	41,42	NU	NU	61,62	NU	41	81,82	NU
RED		128			101			134		*	107	
YELLOW		129			102			135			108	
GREEN		130			103			136			109	
RED ARROW												
YELLOW ARROW										123		
GREEN ARROW										124		
Hand icon												
Person icon												

NU = Not Used  
 \* Denotes install load resistor. See load resistor installation detail this sheet.

**INPUT FILE POSITION LAYOUT**



EX.: 1A, 2A, ETC. = LOOP NO.'S  
 FS = FLASH SENSE  
 ST = STOP TIME  
 ⊗ Wired Input - Do not populate slot with detector card

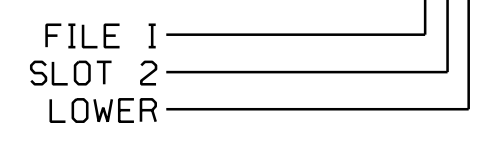
**Important:** For the proper operation of the microwave detector, remove surge protection from TB5-9,10,11,12 and TB5-5,6,7,8.

**INPUT FILE CONNECTION & PROGRAMMING CHART**

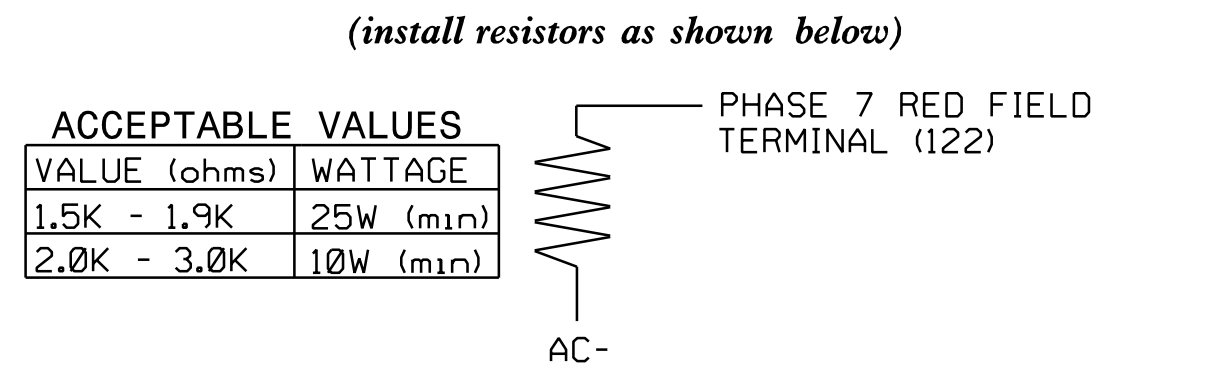
LOOP NO.	LOOP TERMINAL	INPUT FILE POS.	PIN NO.	INPUT ASSIGNMENT NO.	DETECTOR NO.	NEMA PHASE	CALL	EXTEND	FULL TIME DELAY	STRETCH TIME	DELAY TIME
* 7A <sup>1</sup>	TB5-5,6	J5U	57	19	7	7	Y	Y			15
* 8A	TB5-9,10	J6U	42	4	8	8	Y	Y			

<sup>1</sup>Add Jumper from J5U to 18W, on rear of input file.  
 \* Microwave detector - See wiring detail sheet 2 and 3.

**INPUT FILE POSITION LEGEND:**



**LOAD RESISTOR INSTALLATION DETAIL**



THIS ELECTRICAL DETAIL IS FOR THE SIGNAL DESIGN: COA-0005  
 DESIGNED: JUNE 2016  
 SEALED: 12-13-2016  
 REVISED:

**Mattern & Craig**  
 CONSULTING ENGINEERS • SURVEYORS  
 FIRM LICENSE No. C-1154  
 12 BROAD STREET  
 ASHEVILLE, NORTH CAROLINA 28801  
 (828) 254-2201  
 FAX (828) 254-4562

ELECTRICAL DETAIL SHEET 1 OF 3

Prepared for the Offices of:  
  
 161 S. Charlotte St, Asheville NC 28802

**Riverside Dr. at Craven St and W Haywood Ave**

Division 13 Buncombe County Asheville

PLAN DATE: June 2016 REVIEWED BY: SMH  
 PREPARED BY: BGR REVIEWED BY: JBV

REVISIONS: INIT. DATE

SEAL  
 NORTH CAROLINA PROFESSIONAL ENGINEER  
 SEAL 022599  
 JAMES B. VOSS  
 140FD60378E41F  
 SIGNATURE DATE  
 SIG. INVENTORY NO. COA-0005