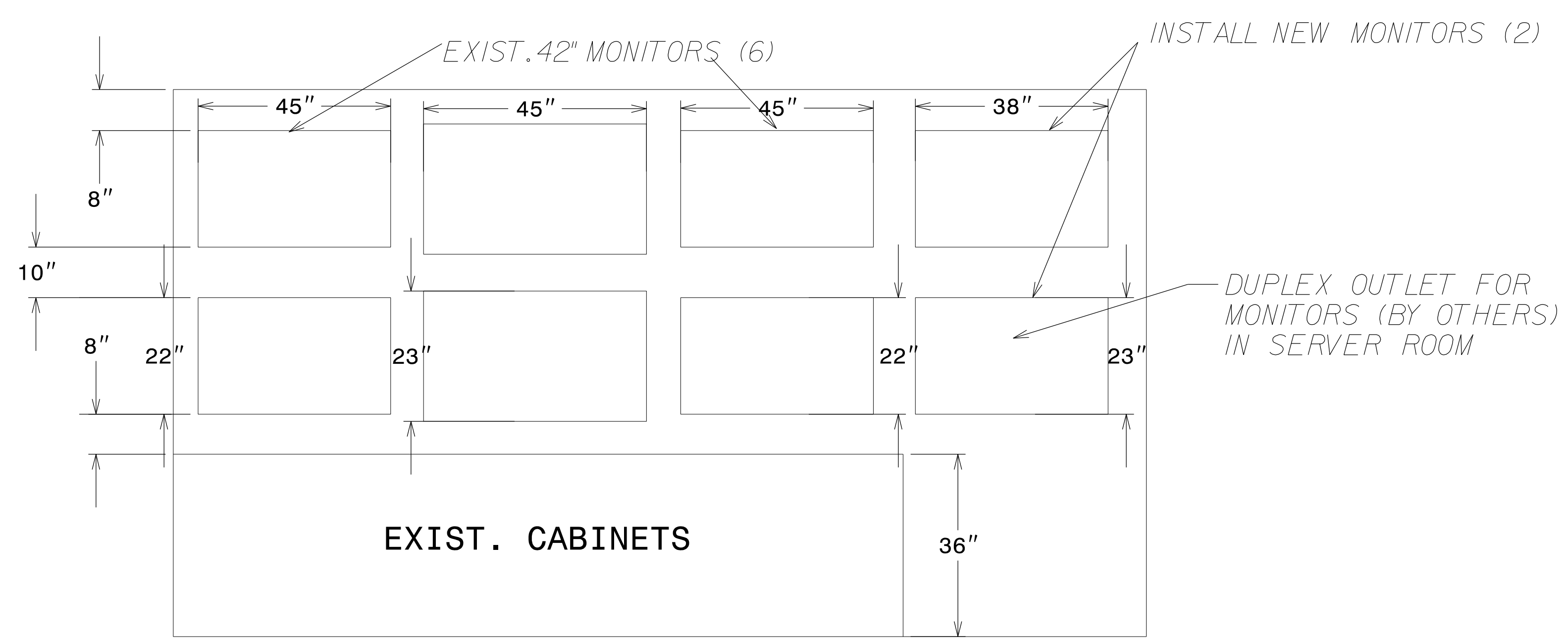


MONITOR WALL ELEVATION



NOTES

1. MAINTAIN HORIZONTAL AND VERTICAL SPACING BETWEEN EXISTING AND PROPOSED MONITORS.
2. MOUNT MONITORS USING WALL-MOUNT BRACKETS.
3. RUN VIDEO CABLING TO CABLE TRAY AND ALONG CABLE TRAY TO VIDEO SERVER IN COMMUNICATIONS RACK 1.

VIDEO WALL LAYOUT

21-DEC-2016 14:16 C:\Users\jgoff\Documents\Projects\2016\20161216\20161216_1416\20161216_1416.dgn

ATKINS 1616 EAST MILLBROOK ROAD, SUITE 310
RALEIGH, NORTH CAROLINA 27609
(919) 876-6888 NCBES #F-0326

**DOCUMENT NOT CONSIDERED FINAL
UNLESS ALL SIGNATURES COMPLETED**

 Prepared for the Offices of: NC Transportation 750 Greenfield Parkway, Garner, NC 27529	Asheville Signal System TMC Monitor Details (Sheet 5 of 7)		
	Division 13 Buncombe County Asheville		
PLAN DATE: December 2016	REVIEWED BY: H A Badgett		12/21/2016 DATE
PREPARED BY: G B Spell	REVIEWED BY: J T Brooks		
REVISIONS			INIT. DATE
N.T.S.			CADD File name: 270_053_U-4715B