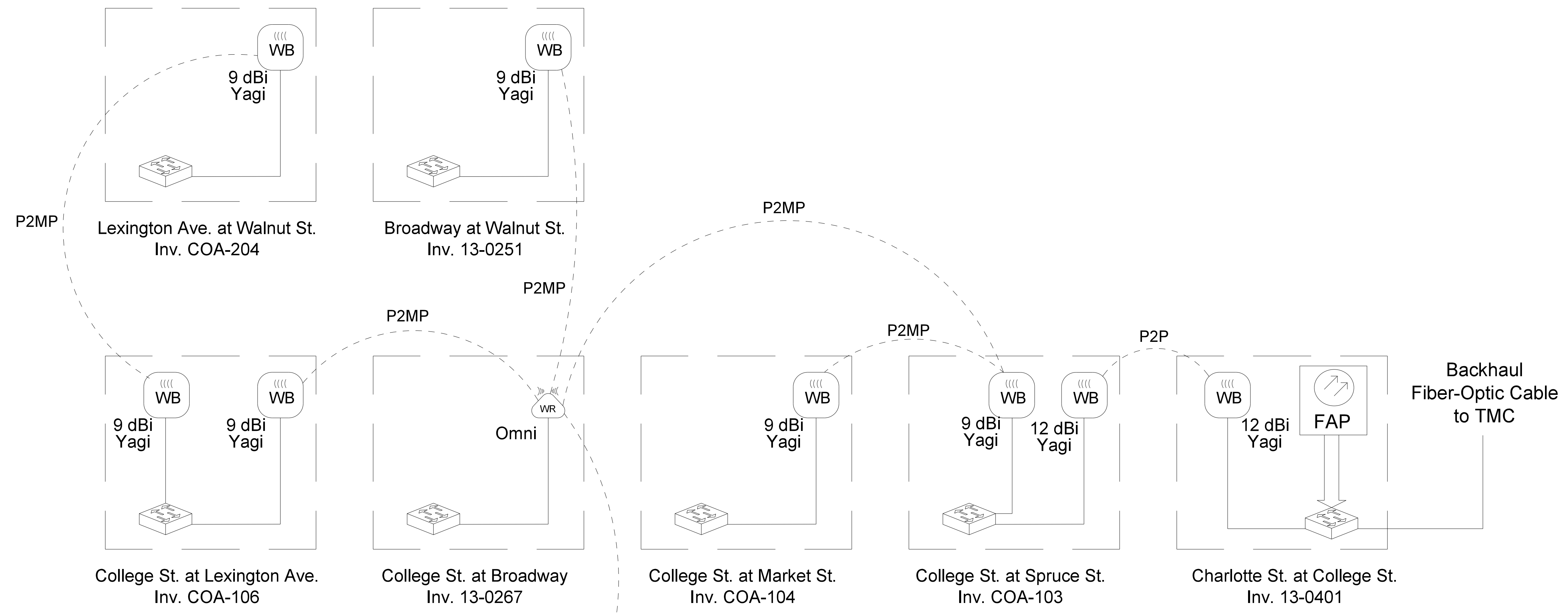
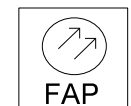
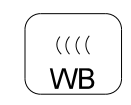

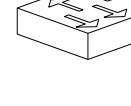
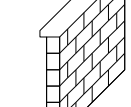
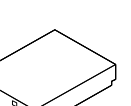


WIRELESS COMMUNICATIONS PLAN



CBD East - College Street

LEGEND:

-  FAP- Fiber Access Point
-  WB- Wireless Bridge
-  WR- Wireless Repeater
-  Ethernet Switch
-  Firewall
-  Cellular Modem

ATKINS

1616 EAST MILLBROOK ROAD, SUITE 310
RALEIGH, NORTH CAROLINA 27609
(919) 876-6888 NCBES #F-0326

Wireless Corridor Design
(4 of 7)

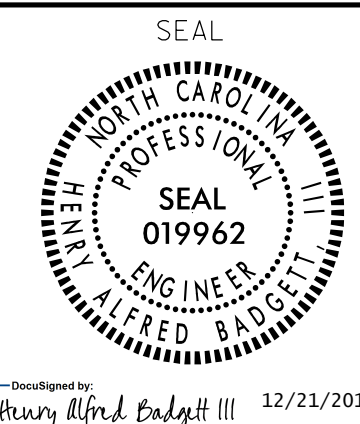
Division 13 Buncombe County Asheville

PLAN DATE: December 2016 REVIEWED BY: H A Badgett

PREPARED BY: G B Spell REVIEWED BY: J T Brooks

SCALE: N.T.S.

DOCUMENT NOT CONSIDERED FINAL
UNLESS ALL SIGNATURES COMPLETED



REVISIONS	INIT.	DATE

21-DEC-2016, 14:13
 C:\Users\jbrooks\Documents\Projects\ITS-3.05\Drawings\Wireless\WCS\WCS.dwg
 21-DEC-2016, 14:13
 C:\Users\jbrooks\Documents\Projects\ITS-3.05\Drawings\Wireless\WCS\WCS.dwg
 21-DEC-2016, 14:13
 C:\Users\jbrooks\Documents\Projects\ITS-3.05\Drawings\Wireless\WCS\WCS.dwg