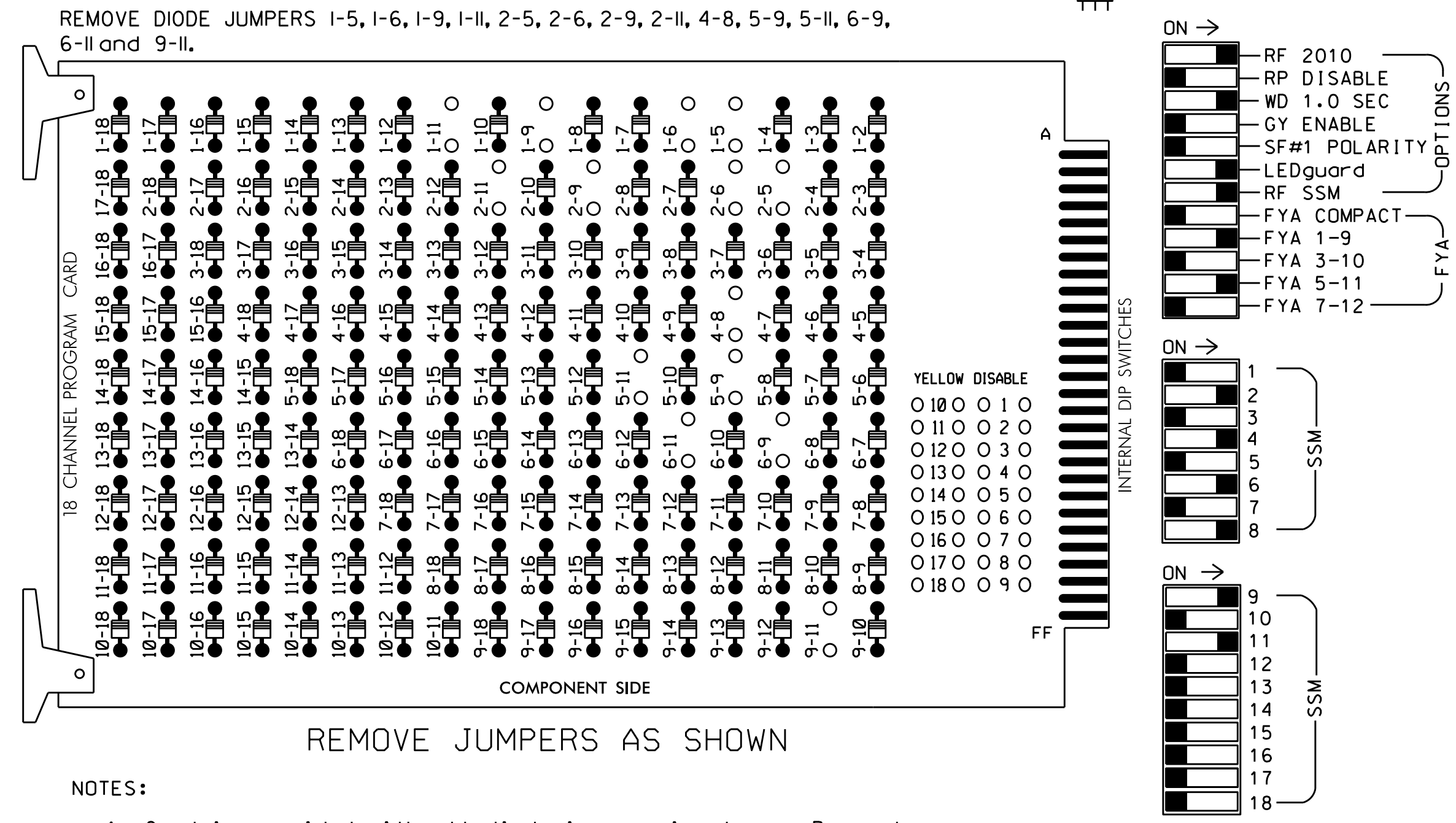


**EDI MODEL 2018EClip-NC CONFLICT MONITOR  
PROGRAMMING DETAIL**

(remove jumpers and set switches as shown)



**NOTES**

- To prevent "flash-conflict" problems, insert red flash program blocks for all unused vehicle load switches in the output file. The installer shall verify that signal heads flash in accordance with the Signal Plans.
- Program phases 4 and 8 for Dual Entry.
- Enable Simultaneous Gap-Out for all phases.
- Program phases 2 and 6 for Variable Initial and Gap Reduction.
- Program phases 2 and 6 for Start Up In Green.
- Program phases 2 and 6 for Yellow Flash, and overlap 1 as Wag Overlaps.
- The cabinet and controller are part of the Asheville Signal System.

**EQUIPMENT INFORMATION**

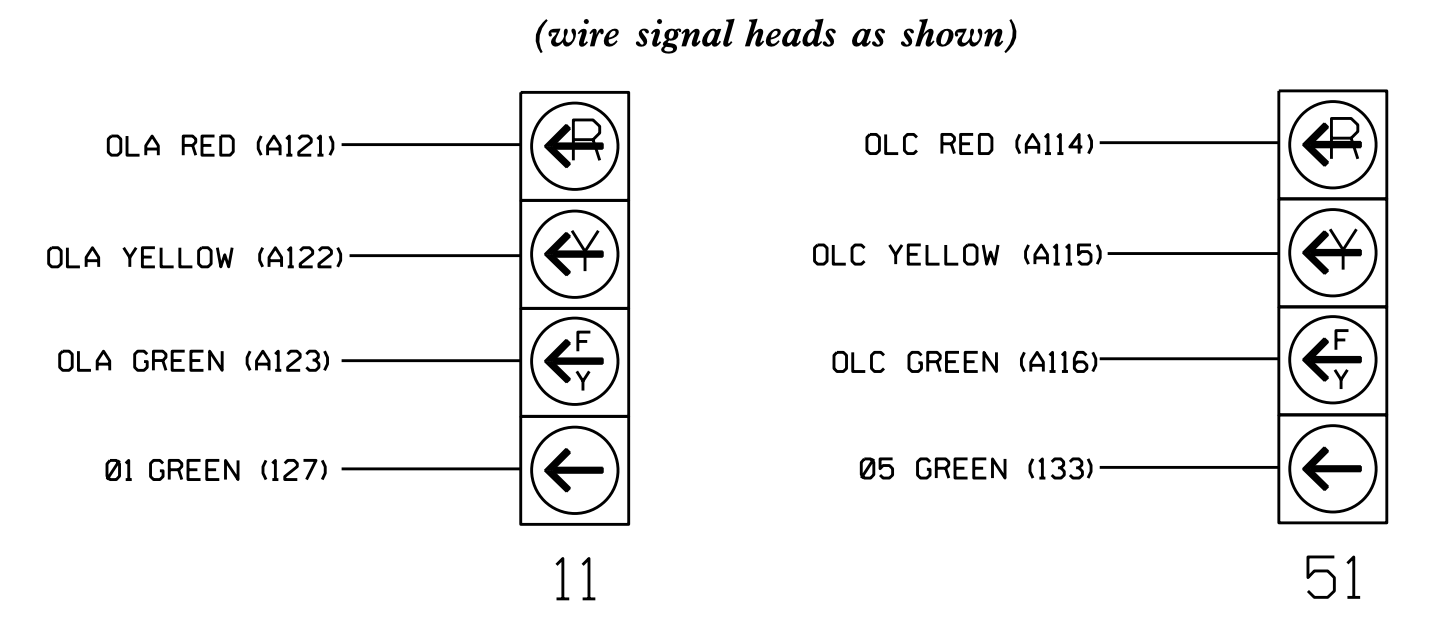
CONTROLLER.....2070E  
 CABINET.....332 W/ AUX  
 SOFTWARE.....ECONOLITE OASIS  
 CABINET MOUNT.....BASE  
 OUTPUT FILE POSITIONS...18 WITH AUX. OUTPUT FILE  
 LOAD SWITCHES USED.....S1,S2,S5,S7,S8,S11,AUX S1,AUX S4  
 PHASES USED.....1,2,4,5,6,8  
 OVERLAP "A".....1+2  
 OVERLAP "B".....NOT USED  
 OVERLAP "C".....5+6  
 OVERLAP "D".....NOT USED

**SIGNAL HEAD HOOK-UP CHART**

LOAD SWITCH NO.	S1	S2	S3	S4	S5	S6	S7	S8	S9	S10	S11	S12	AUX S1	AUX S2	AUX S3	AUX S4	AUX S5	AUX S6
CMU CHANNEL NO.	1	2	13	3	4	14	5	6	15	7	8	16	9	10	17	11	12	18
PHASE	1	2	2 PED	3	4	4 PED	5	6	6 PED	7	8	8 PED	OLA	OLB	SPARE	OLC	OLD	SPARE
SIGNAL HEAD NO.	11	21,22	NU	NU	41, 42,43	NU	51	61,62	NU	NU	81,82	NU	11	NU	NU	51	NU	NU
RED		128			101			134			107							
YELLOW	*	129			102		*	135			108							
GREEN		130			103			136			109							
RED ARROW													A121				A114	
YELLOW ARROW													A122				A115	
FLASHING YELLOW ARROW													A123				A116	
GREEN ARROW	127							133										

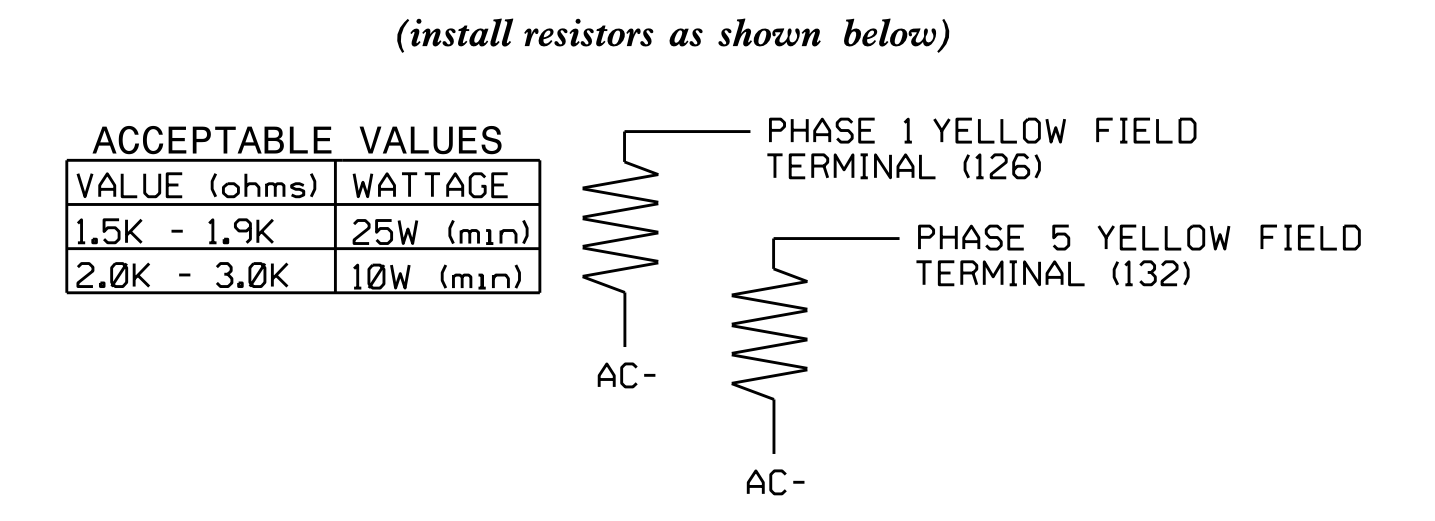
NU = Not Used  
 \* Denotes install load resistor. See load resistor installation detail this sheet.  
 ★ See pictorial of head wiring in detail below.

**4 SECTION FYA PPLT SIGNAL WIRING DETAIL**

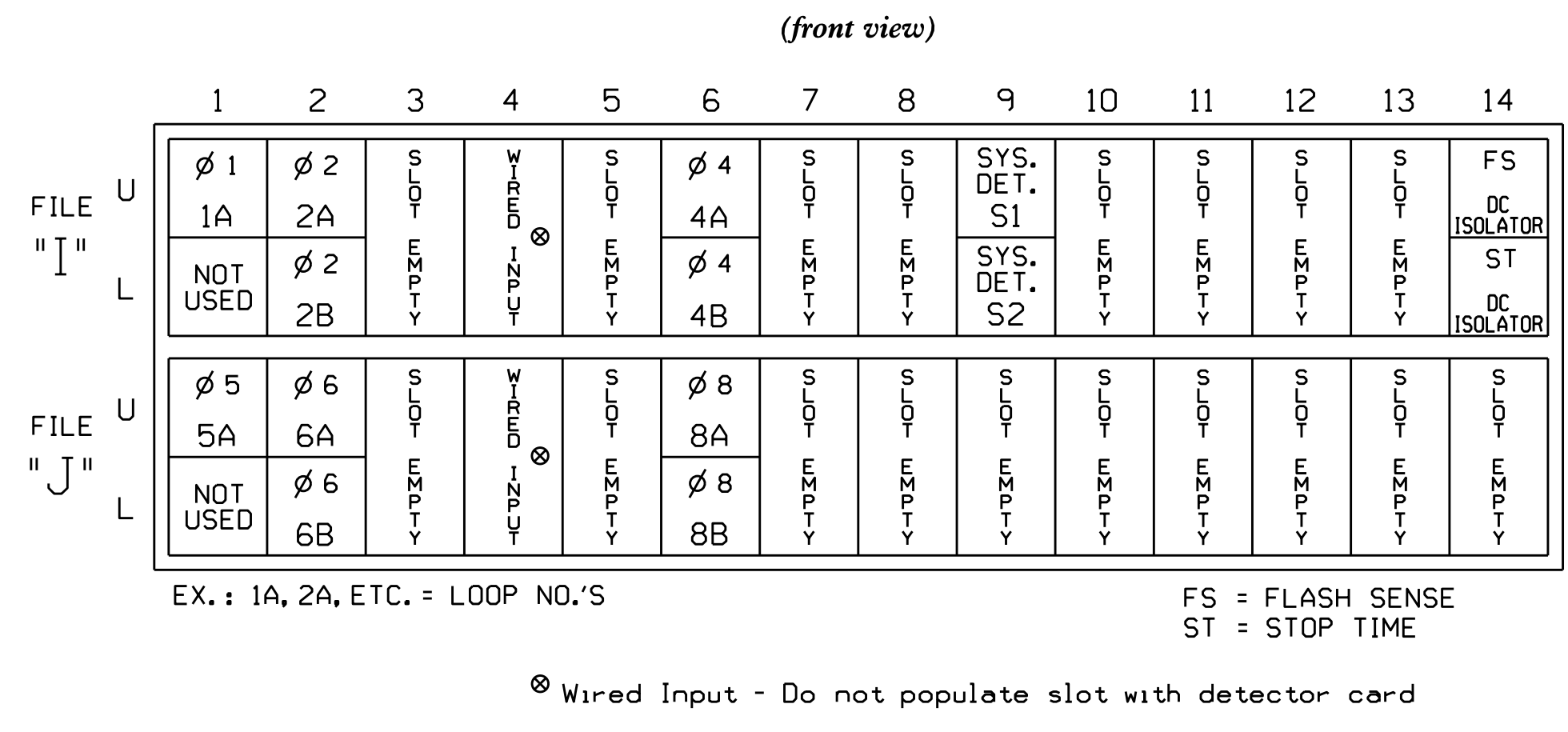


NOTE  
 1. The sequence display for these signals require special logic programming. See sheet 2 of 2 for programming instructions.

**LOAD RESISTOR INSTALLATION DETAIL**



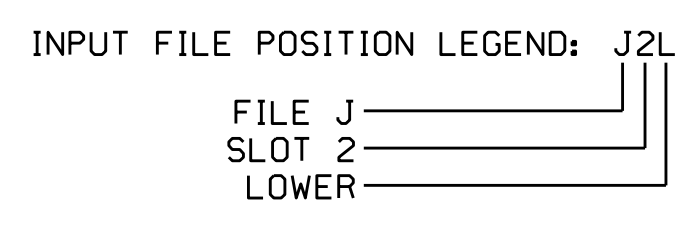
**INPUT FILE POSITION LAYOUT**



**INPUT FILE CONNECTION & PROGRAMMING CHART**

LOOP NO.	LOOP TERMINAL	INPUT FILE POS.	PIN NO.	INPUT ASSIGNMENT NO.	DETECTOR NO.	NEMA PHASE	CALL	EXTEND	FULL TIME DELAY	STRETCH TIME	DELAY TIME
1A <sup>1</sup>	TB2-1,2	I1U	56	18	1	1	Y	Y			15
	-	J4U	48	10	26	6	Y	Y	Y		3
2A	TB2-5,6	I2U	39	1	2	2	Y	Y			
2B	TB2-7,8	I2L	43	5	12	2	Y	Y			
4A	TB4-9,10	I6U	41	3	4	4	Y	Y			10
4B	TB4-11,12	I6L	45	7	14	4	Y	Y			20
5A <sup>2</sup>	TB3-1,2	J1U	55	17	5	5	Y	Y			15
	-	I4U	47	9	22	2	Y	Y	Y		3
6A	TB3-5,6	J2U	40	2	6	6	Y	Y			
6B	TB3-7,8	J2L	44	6	16	6	Y	Y			
8A	TB5-9,10	J6U	42	4	8	8	Y	Y			5
8B	TB5-11,12	J6L	46	8	18	8	Y	Y			20
* S1	TB6-9,10	I9U	60	22	11	SYS					
* S2	TB6-11,12	I9L	62	24	13	SYS					

- Add jumper from I1-W to J4-W, on rear of input file.
  - Add jumper from J1-W to I4-W, on rear of input file.
- \* System detector only. Remove the vehicle phase assigned to this detector in the default programming.



Electrical and Programming Details for: **US 25-A (Sweeten Creek Road) at SR 3234 (Industrial Park Drive Commercial Drive)**

Prepared In the Offices of: **Transporatio Mobility and Safety Solutions**

Division 13 Buncombe County Asheville

PLAN DATE: September 2016 REVIEWED BY: T. Joyce

PREPARED BY: C. Strickland REVIEWED BY:

REVISIONS INIT. DATE

750 N. Greenfield Pkwy, Garner, NC 27529

THIS ELECTRICAL DETAIL IS FOR THE SIGNAL DESIGN: 13-0673 DESIGNED: April 2016 SEALED: 9/8/2016 REVISED:

SEAL NORTH CAROLINA PROFESSIONAL ENGINEER SEAL 030530 JACUARY M. LITTLE

DocuSigned by: *Jacuary M. Little* 9/9/2016

SIG. INVENTORY NO. 13-0673

08-SEP-2016 10:13  
 S:\PROJECTS\13-0673\SIGNAL\WORK\HOUAS\SIG\_Maps\STRickland\130673\_sml\_e.xxx.dgn  
 C:\STRickland