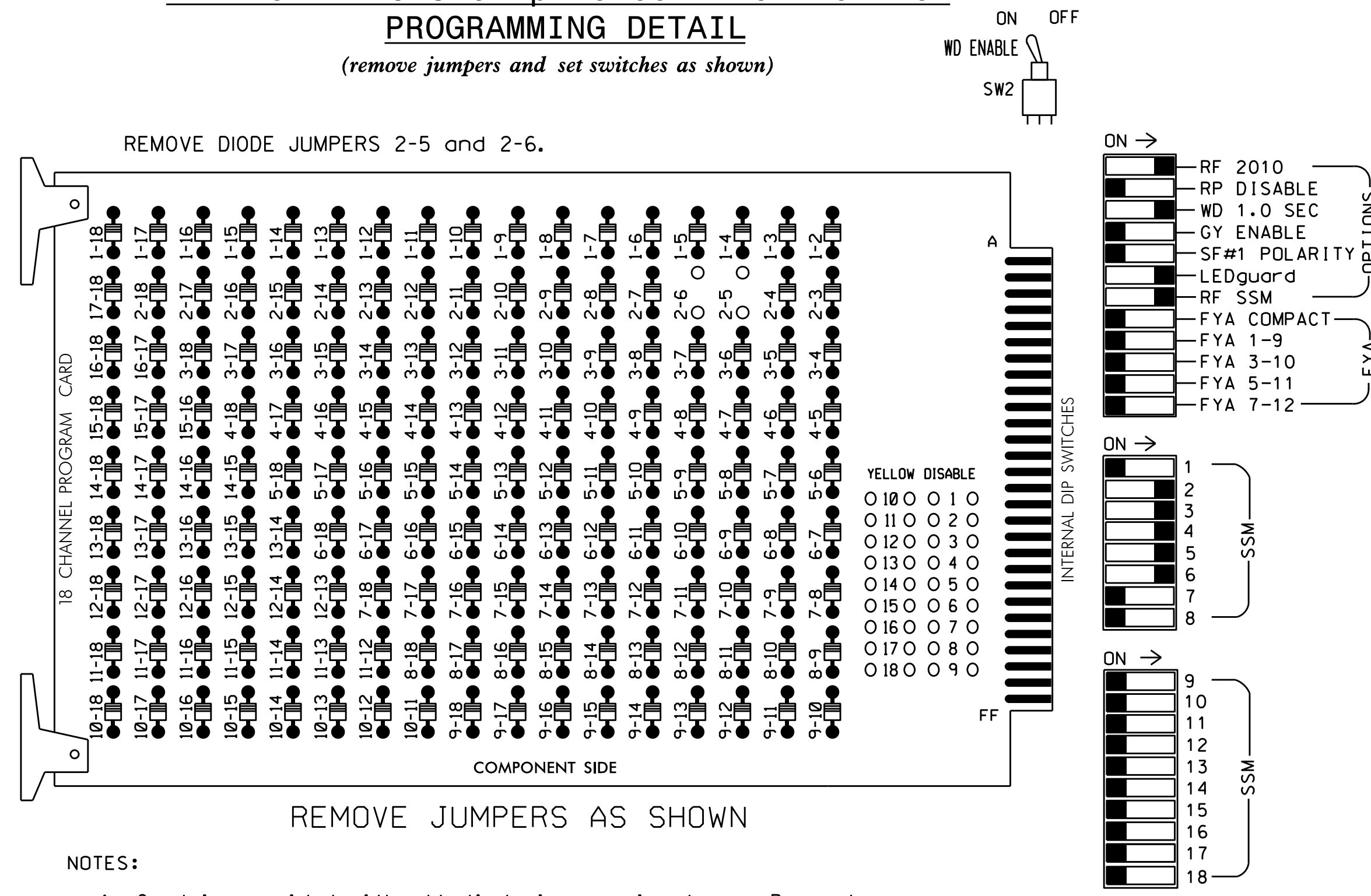


**EDI MODEL 2018EClip-NC CONFLICT MONITOR
PROGRAMMING DETAIL**

(remove jumpers and set switches as shown)



NOTES:

1. Card is provided with all diode jumpers in place. Removal of any jumper allows its channels to run concurrently.
2. Ensure jumpers SEL2-SEL5 and SEL9 are present on the monitor board.
3. Ensure that Red Enable is active at all times during normal operation.
4. Integrate monitor with Ethernet network in cabinet.

NOTES

1. To prevent "flash-conflict" problems, insert red flash program blocks for all unused vehicle load switches in the output file. The installer shall verify that signal heads flash in accordance with the Signal Plans.
2. Enable Simultaneous Gap-Out for all phases.
3. Program phases 2 and 6 for Start Up In Green.
4. Program phases 2 and 6 for Yellow Flash.
5. The cabinet and controller are part of the Asheville Signal System.

SIGNAL HEAD HOOK-UP CHART

LOAD SWITCH NO.	S1	S2	S3	S4	S5	S6	S7	S8	S9	S10	S11	S12	AUX S1	AUX S2	AUX S3	AUX S4	AUX S5	AUX S6
CMU CHANNEL NO.	1	2	13	3	4	14	5	6	15	7	8	16	9	10	17	11	12	18
PHASE	1	2	2 PED	3	4	4 PED	5	6	6 PED	7	8	8 PED	OLA	OLB	SPARE	OLC	OLD	SPARE
SIGNAL HEAD NO.	NU	21,22	NU	31, 32,33	41, 42	NU	21,32	61,62	NU	NU	NU	NU	NU	NU	NU	NU	NU	NU
RED		128		116	116	101	101		*	134								
YELLOW		129		117	117	102	102			135								
GREEN		130		118	118	103	103			136								
RED ARROW																		
YELLOW ARROW										132								
GREEN ARROW				118	103					133								

NU = Not Used
* Denotes install load resistor. See load resistor installation detail this sheet.

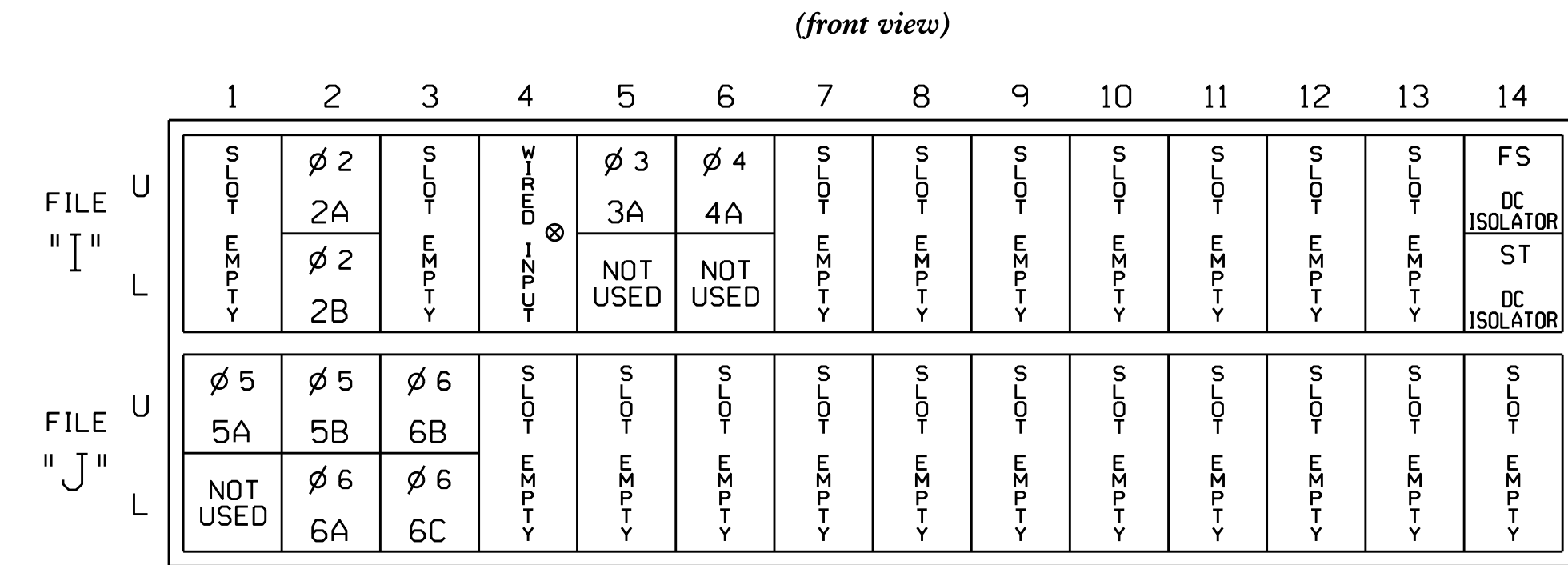
EQUIPMENT INFORMATION

CONTROLLER.....2070E
CABINET.....332 W/ AUX
SOFTWARE.....ECONOLITE OASIS
CABINET MOUNT.....BASE
OUTPUT FILE POSITIONS...18 WITH AUX. OUTPUT FILE
LOAD SWITCHES USED.....S2,S4,S5,S7,S8
PHASES USED.....2,3,4,5,6
OVERLAP "A".....NOT USED
OVERLAP "B".....NOT USED
OVERLAP "C".....NOT USED
OVERLAP "D".....NOT USED

BACKUP PROTECTION NOTE

(program controller as shown below)
From Main Menu press '2' (Phase Control), then '1' (Phase Control Functions). Program phase 2 for 'Backup Protect'. Make sure the Red Revert times shown on the Signal Design Plans are programmed in the 'Phase Timing' menu.

INPUT FILE POSITION LAYOUT

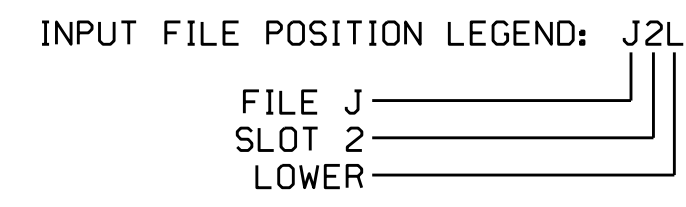


EX.: 1A, 2A, ETC. = LOOP NO.'S
FS = FLASH SENSE
ST = STOP TIME
⊗ Wired Input - Do not populate slot with detector card

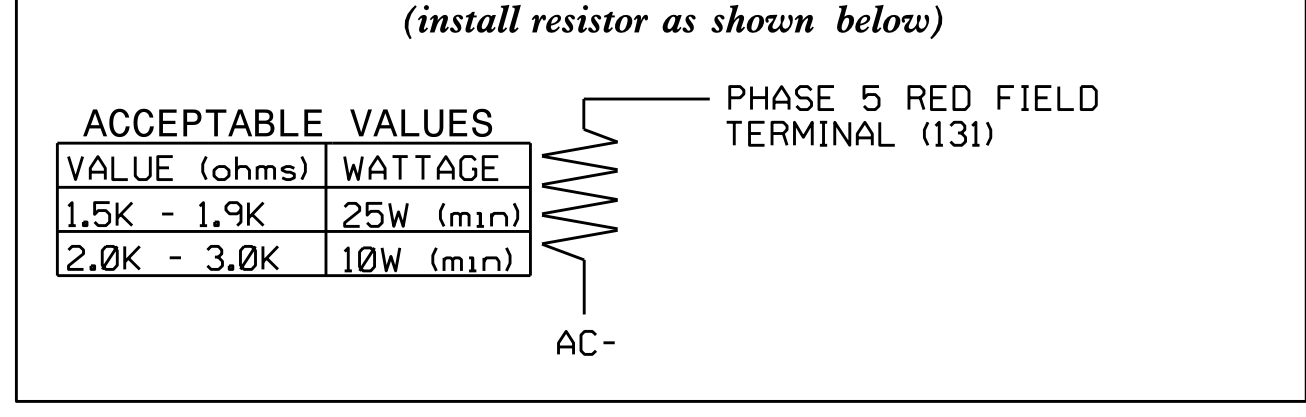
INPUT FILE CONNECTION & PROGRAMMING CHART

LOOP NO.	LOOP TERMINAL	INPUT FILE POS.	PIN NO.	INPUT ASSIGNMENT NO.	DETECTOR NO.	NEMA PHASE	CALL	EXTEND	FULL TIME DELAY	STRETCH TIME	DELAY TIME
2A	TB2-5,6	I2U	39	1	2	2	Y	Y			
2B	TB2-7,8	I2L	43	5	12	2	Y	Y			
3A	TB4-5,6	I5U	58	20	3	3	Y	Y			
4A	TB4-9,10	I6U	41	3	4	4	Y	Y			
5A ¹	TB3-1,2	J1U	55	17	5	5	Y	Y			15
		J1W	47	9	22	2	Y	Y			
5B	TB3-5,6	J2U	40	2	6	5	Y	Y			15
6A	TB3-7,8	J2L	44	6	16	6	Y	Y			
6B	TB3-9,10	J3U	64	26	36	6	Y	Y			
6C	TB3-11,12	J3L	77	39	46	6	Y	Y			

¹Add jumper from J1-W to I4-W, on rear of input file.



LOAD RESISTOR INSTALLATION DETAIL



THIS ELECTRICAL DETAIL IS FOR THE SIGNAL DESIGN: 13-0462
DESIGNED: June 2016
SEALED: 8/10/2016
REVISED:

Electrical Detail

DOCUMENT NOT CONSIDERED FINAL UNLESS ALL SIGNATURES COMPLETED

Prepared In the Offices of:
Transportation Mobility and Safety Solutions
Signal Management System
750 N. Greenfield Pkwy, Garner, NC 27529

SR 3214 (Biltmore Ave.)
at
Memorial Mission Hospital
Entrance/Granby Street

Division 13 Buncombe County Asheville

PLAN DATE: July 2016 REVIEWED BY: BAS

PREPARED BY: C. Strickland REVIEWED BY:

REVISIONS INIT. DATE

DocuSigned by:
Cary M. Little 9/1/2016

SIG. INVENTORY NO. 13-0462