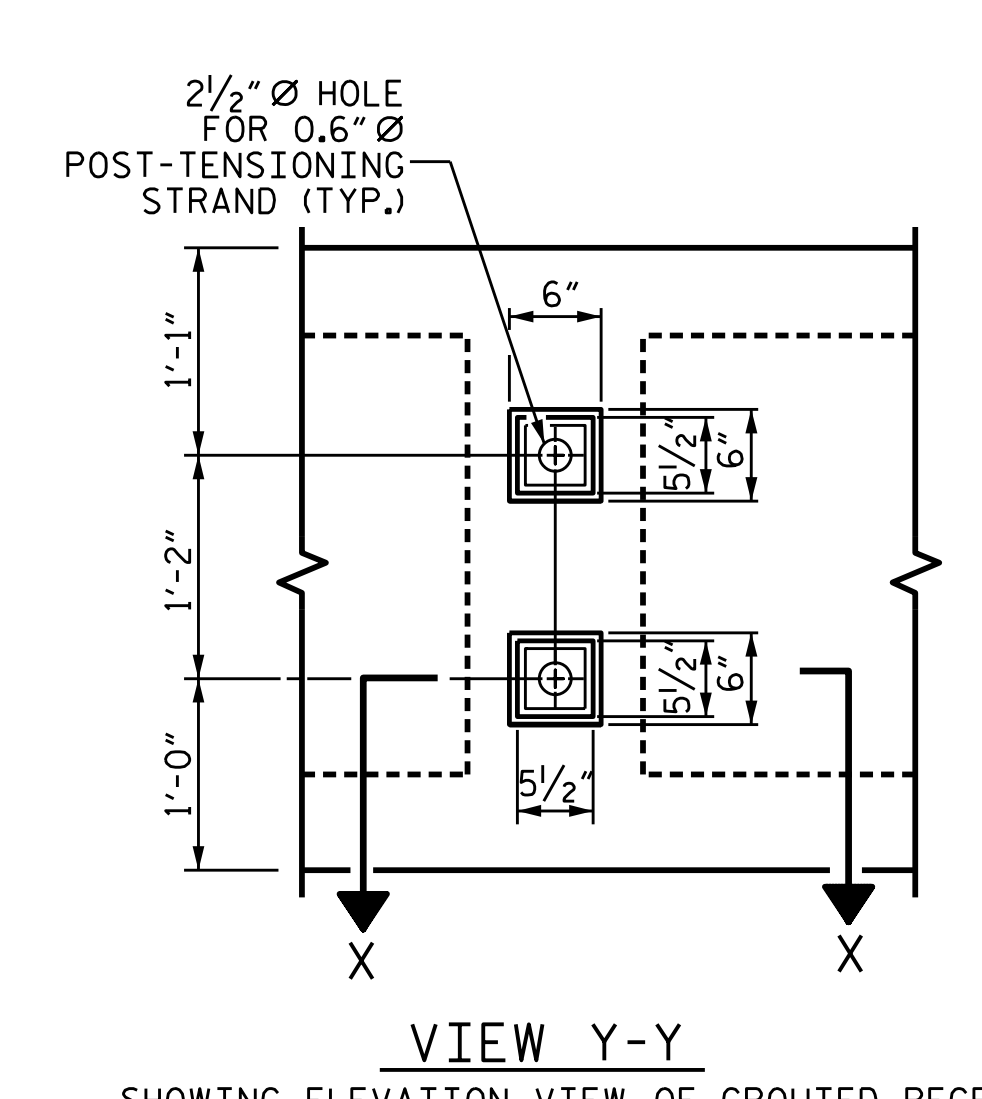
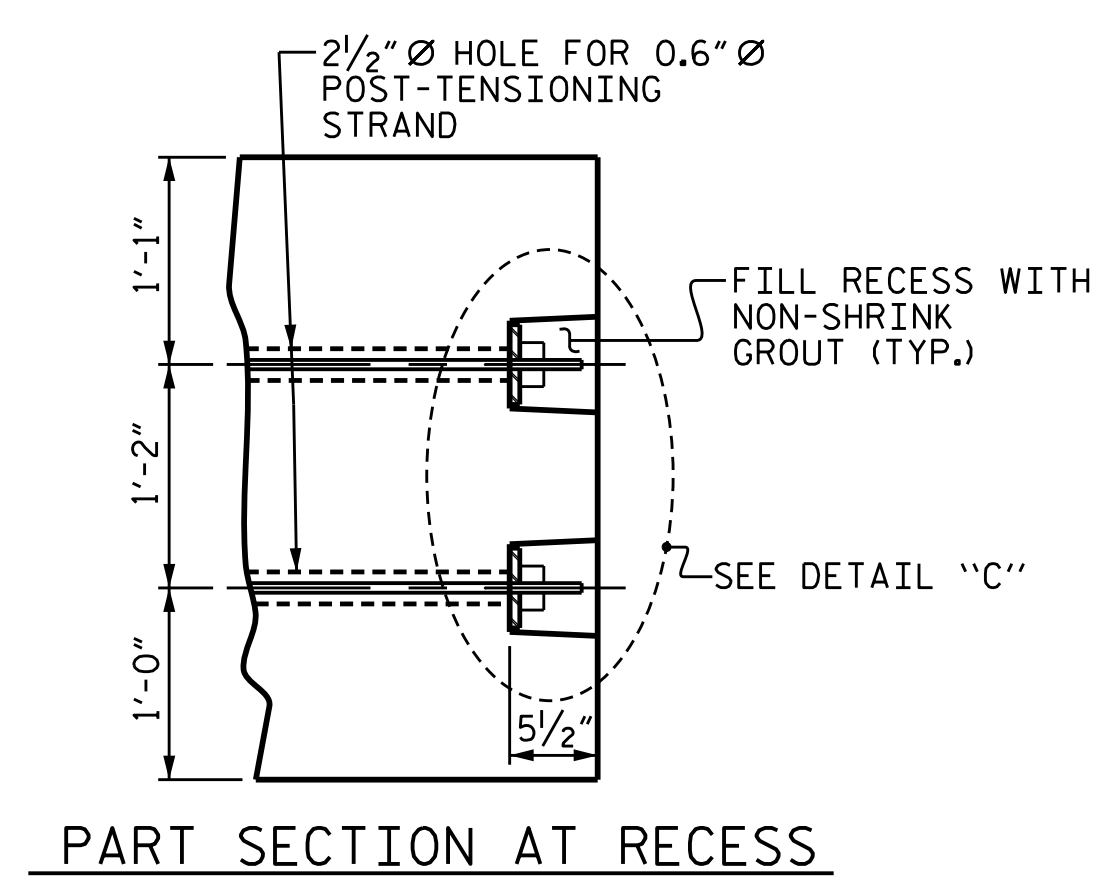


DOUBLE DIAPHRAGM DETAILS

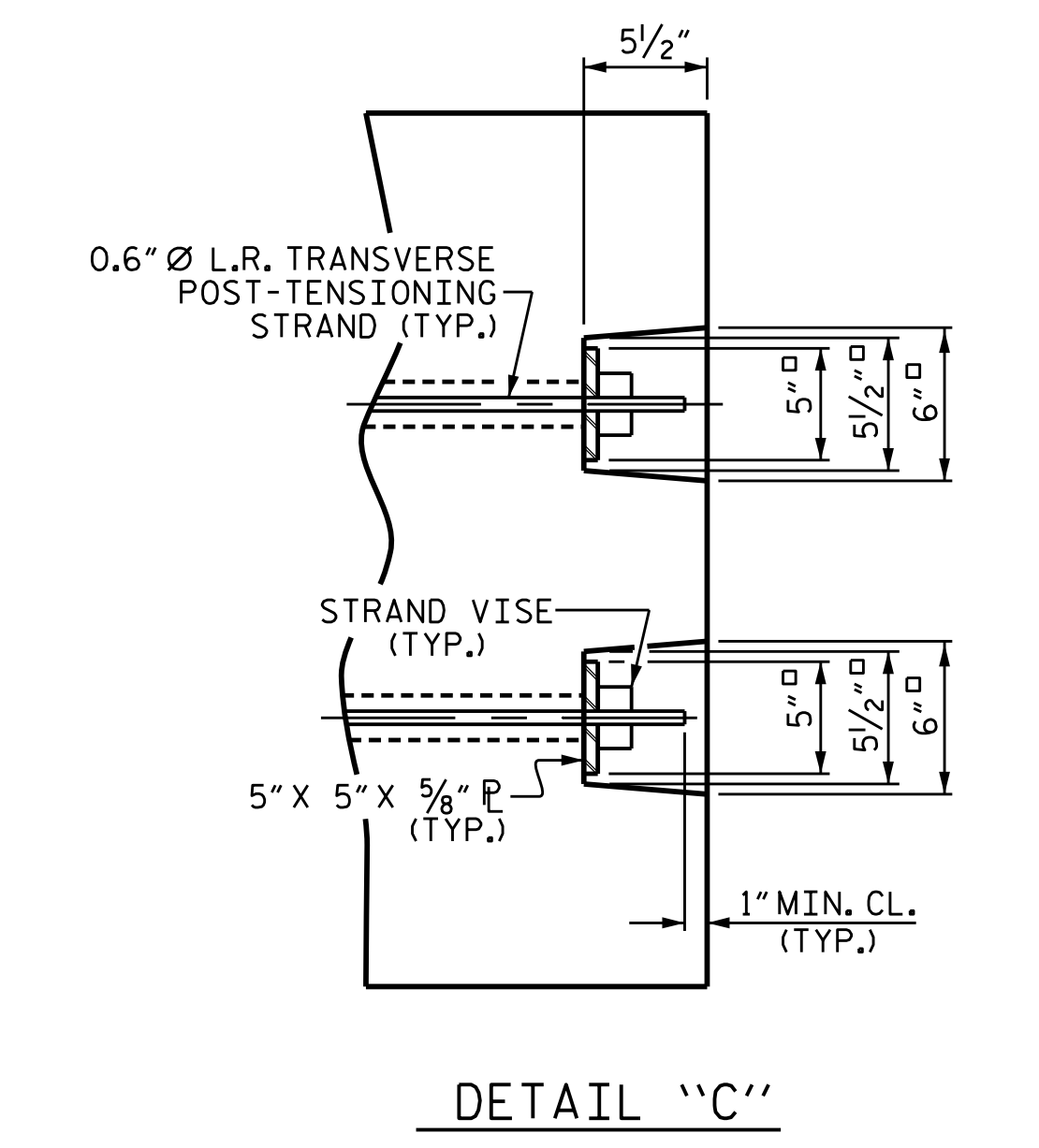
#4 "S" BARS NOT SHOWN. #4 "S" BARS MAY BE SHIFTED SLIGHTLY TO CLEAR 2 1/2" Ø HOLE.



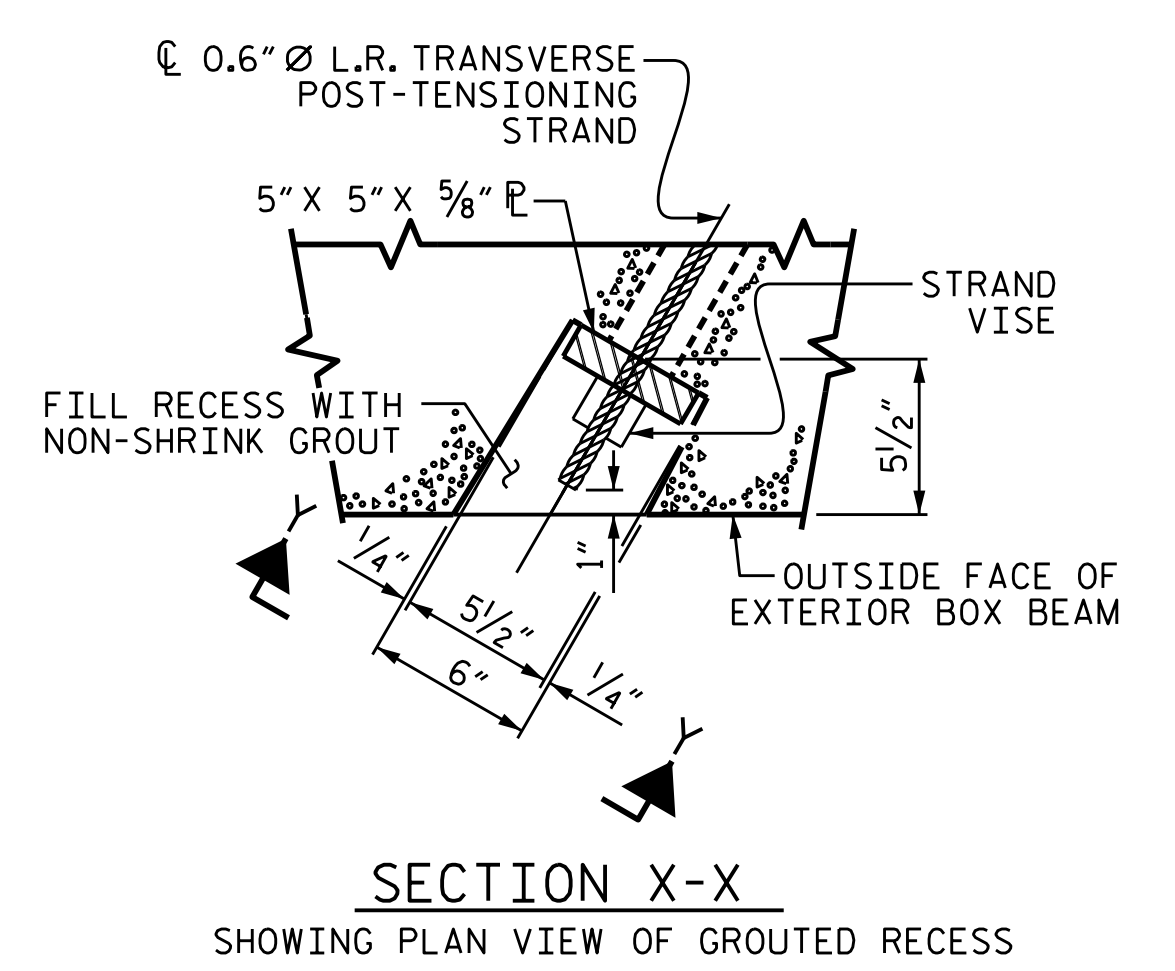
VIEW Y-Y
SHOWING ELEVATION VIEW OF GROUDED RECESS



PART SECTION AT RECESS

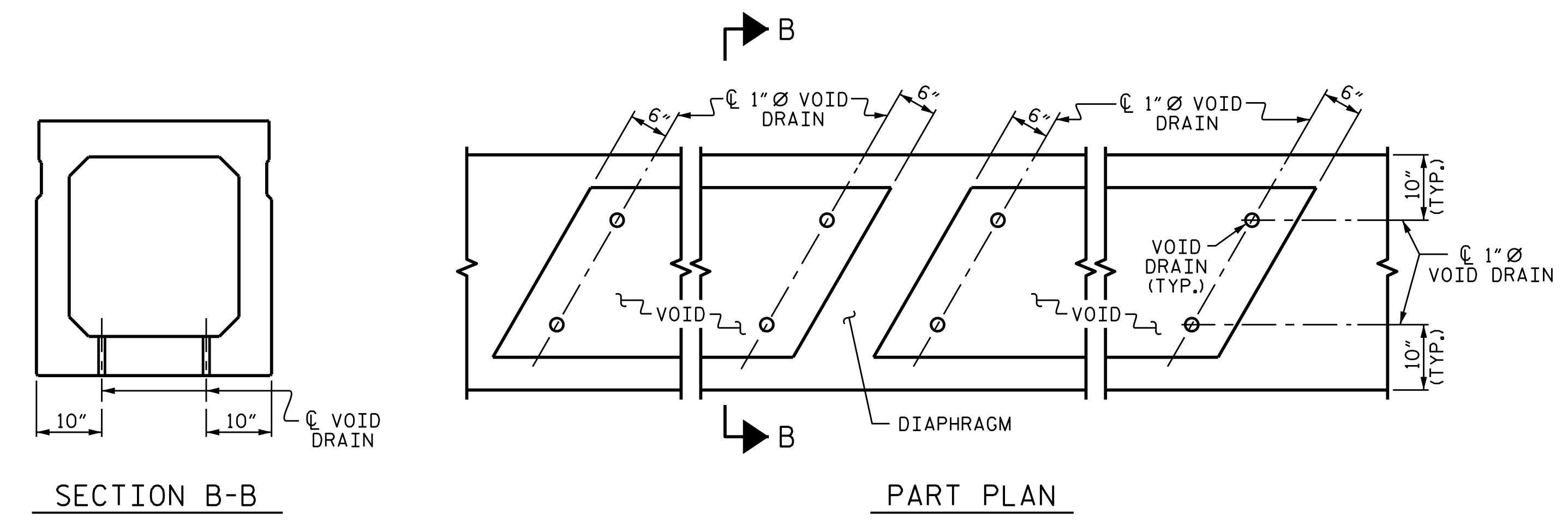


DETAIL "C"



SECTION X-X
SHOWING PLAN VIEW OF GROUDED RECESS

GROUDED RECESS DETAIL AT END OF POST-TENSIONED STRANDS OF EXTERIOR BOX BEAM



VOID DRAIN DETAILS

(DIMENSIONS SHOWN ARE TYPICAL FOR EACH VOID)

| DEAD LOAD DEFLECTION AND CAMBER | |
|--|----------------------------|
| 100' BOX BEAM UNIT | 3'-0" x 3'-3" |
| CAMBER (SLAB ALONE IN PLACE) | 0.6" Ø L.R. STRAND 2" ↑ |
| DEFLECTION DUE TO SUPERIMPOSED DEAD LOAD** | 7/8" ↓ |
| FINAL CAMBER | 1 1/8" ↑ |

** INCLUDES FUTURE WEARING SURFACE

PROJECT NO. B-5397
RUTHERFORD COUNTY
 STATION: 15+40.00 -L-

SHEET 4 OF 5



STATE OF NORTH CAROLINA
 DEPARTMENT OF TRANSPORTATION
 RALEIGH
 STANDARD
 3'-0" X 3'-3"
 PRESTRESSED CONCRETE
 BOX BEAM UNIT

ASSEMBLED BY : B. A. DUKE DATE : 3-29-16
 CHECKED BY : W. J. HARRIS DATE : 8-16
 DRAWN BY : DGE II/II REV. 8/14 MAA/TMG
 CHECKED BY : TMG II/II

DOCUMENT NOT CONSIDERED
 FINAL UNLESS ALL
 SIGNATURES COMPLETED

| REVISIONS | | | | | | SHEET NO. |
|-----------|-----|-------|-----|-----|-------|-----------------|
| NO. | BY: | DATE: | NO. | BY: | DATE: | S-7 |
| 1 | | | 3 | | | TOTAL SHEETS 18 |
| 2 | | | 4 | | | |