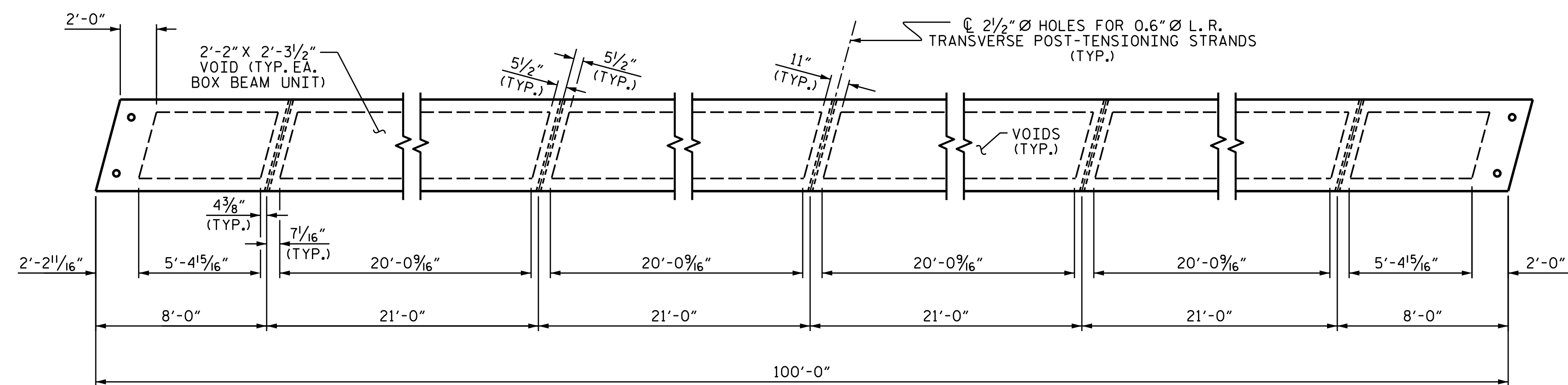
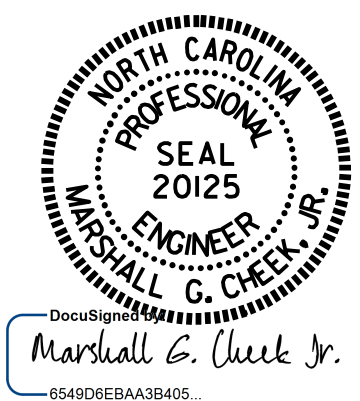


PLAN OF UNIT



DIAPHRAGM AND VOID LAYOUT

PROJECT NO. B-5397
RUTHERFORD COUNTY
 STATION: 15+40.00 -L-
 SHEET 2 OF 5



STATE OF NORTH CAROLINA
 DEPARTMENT OF TRANSPORTATION
 RALEIGH
 PLAN OF 100' UNIT
 30'-6" CLEAR ROADWAY
 105° SKEW

ASSEMBLED BY : B. A. DUKE DATE : 6-24-16
 CHECKED BY : W. J. HARRIS DATE : 8-16
 DRAWN BY : DGE 8/11 REV. 8/14 MAA/TMG
 CHECKED BY : TMG 11/11

DOCUMENT NOT CONSIDERED
 FINAL UNLESS ALL
 SIGNATURES COMPLETED

REVISIONS						SHEET NO.	
NO.	BY:	DATE:	NO.	BY:	DATE:	S-5	
1			3			TOTAL SHEETS 18	
2			4				

*****SYTIME*****
 *****DGN*****
 *****USERNAME*****