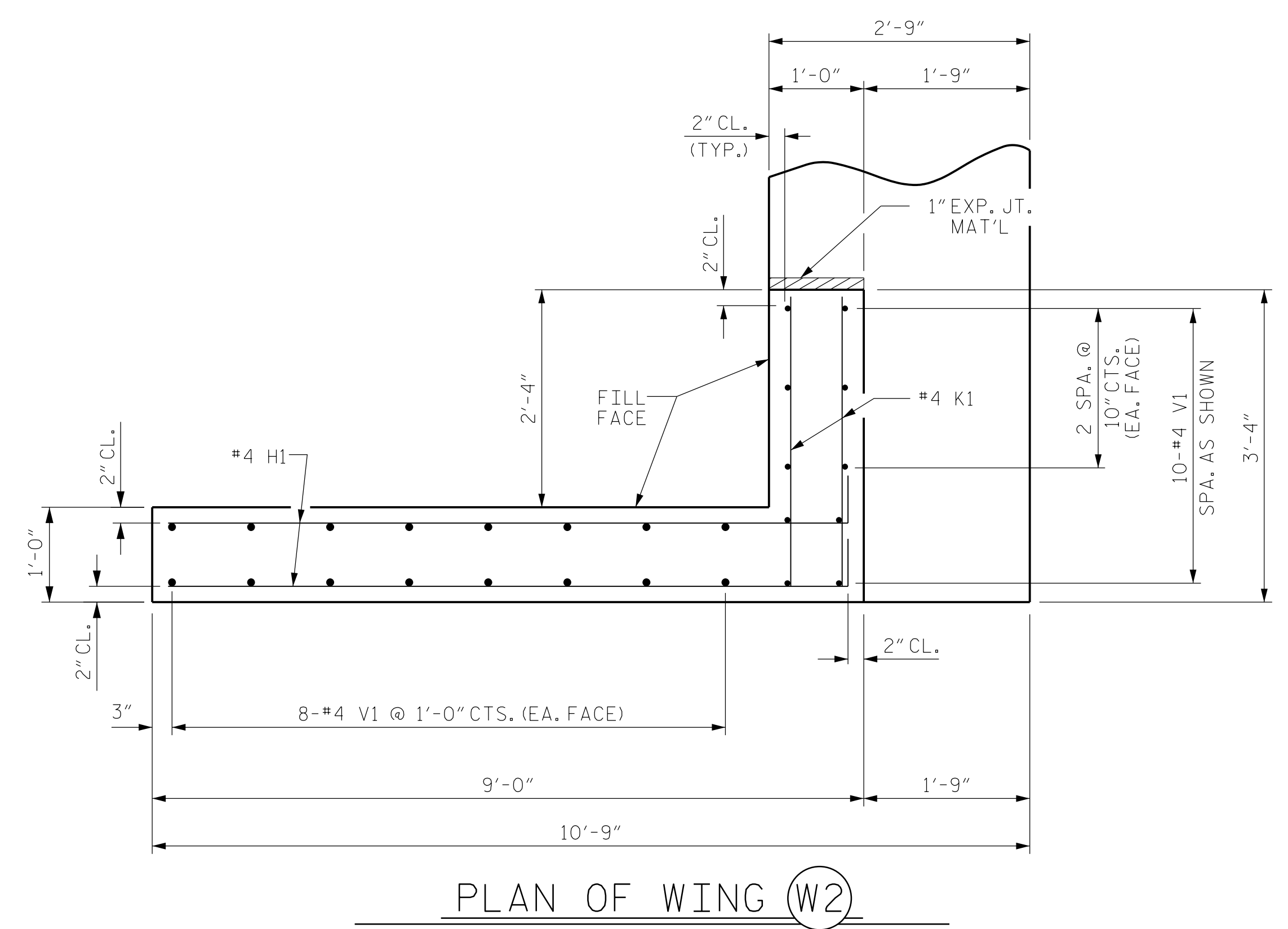
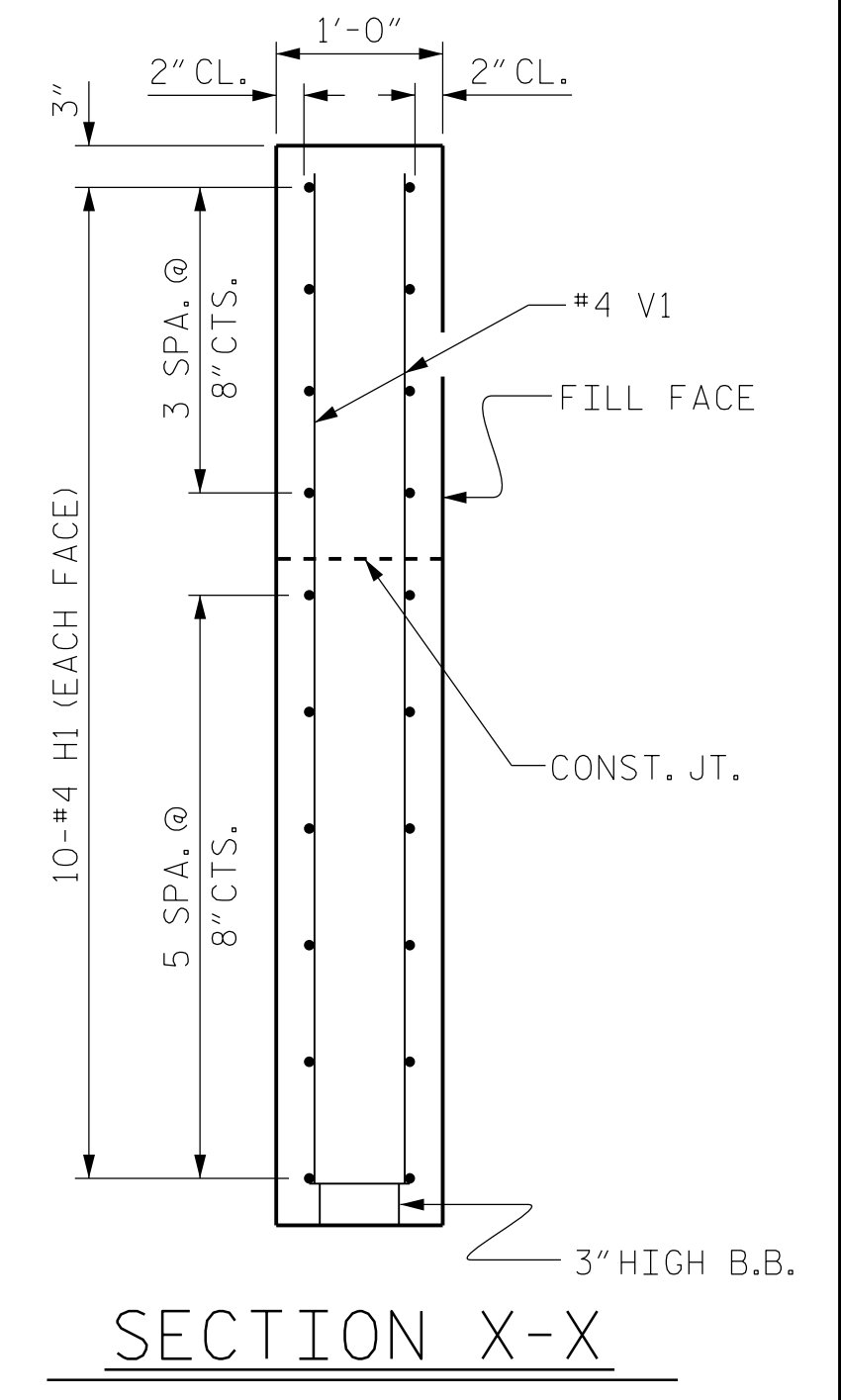


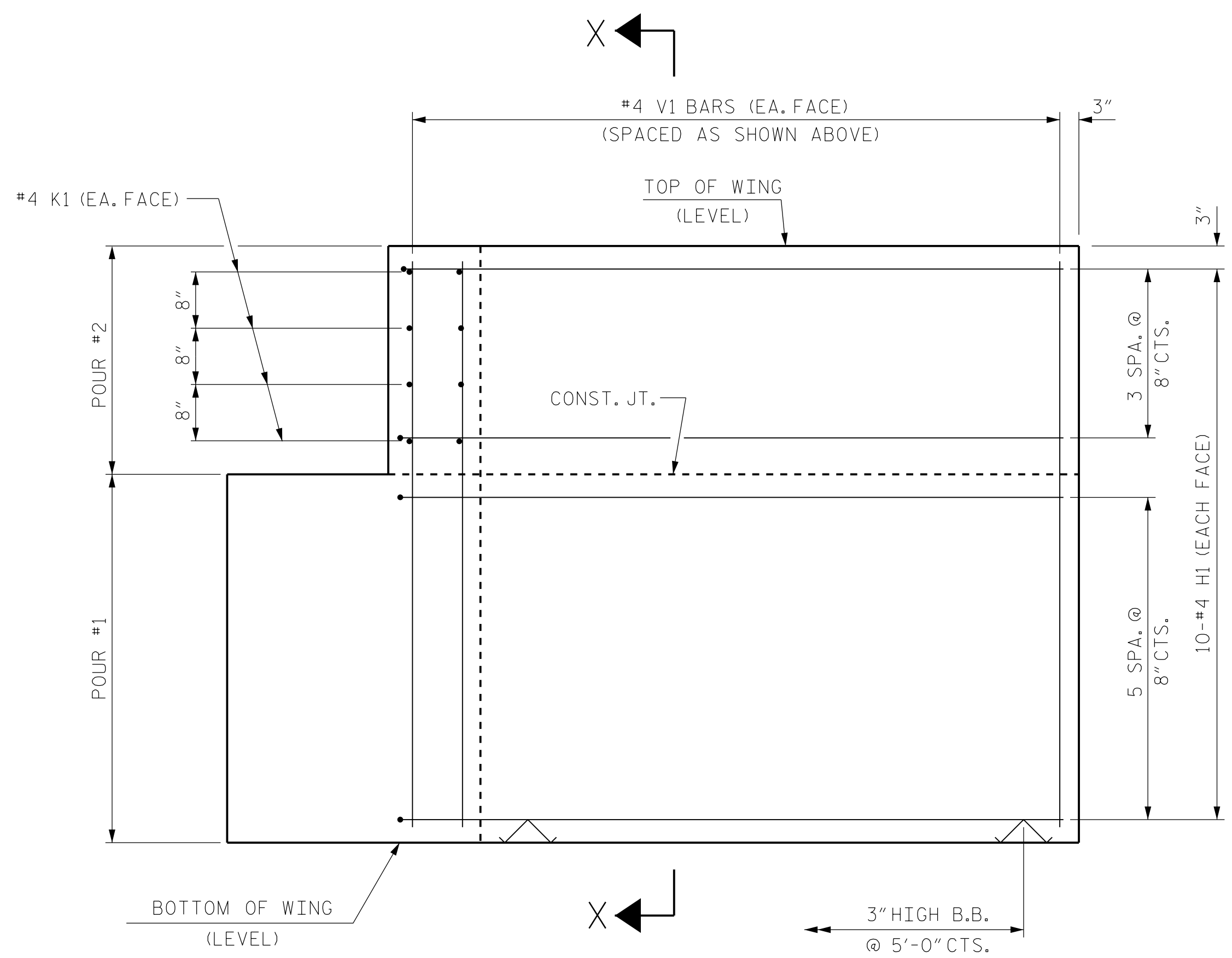
PLAN OF WING (W1)



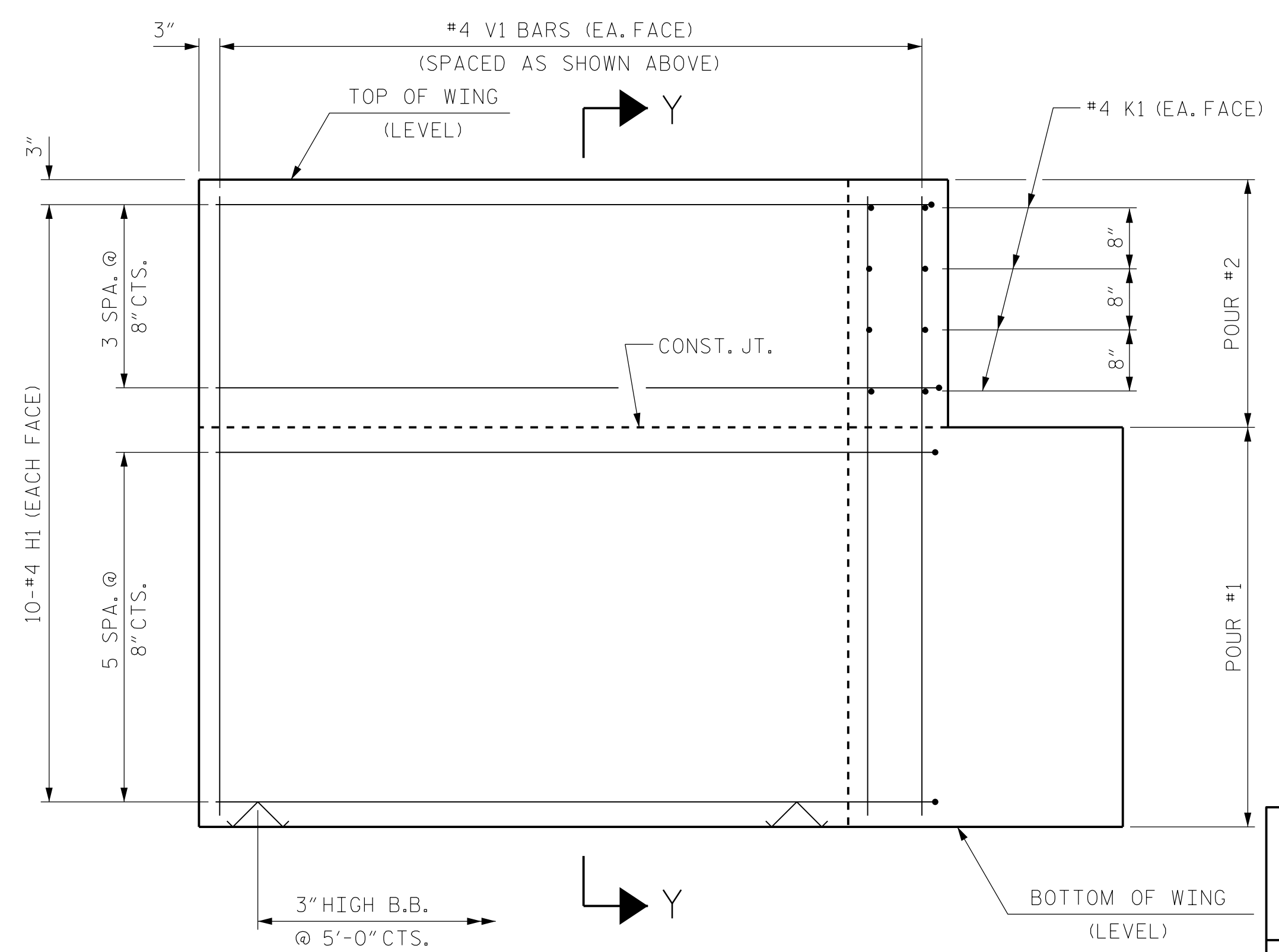
PLAN OF WING (W2)



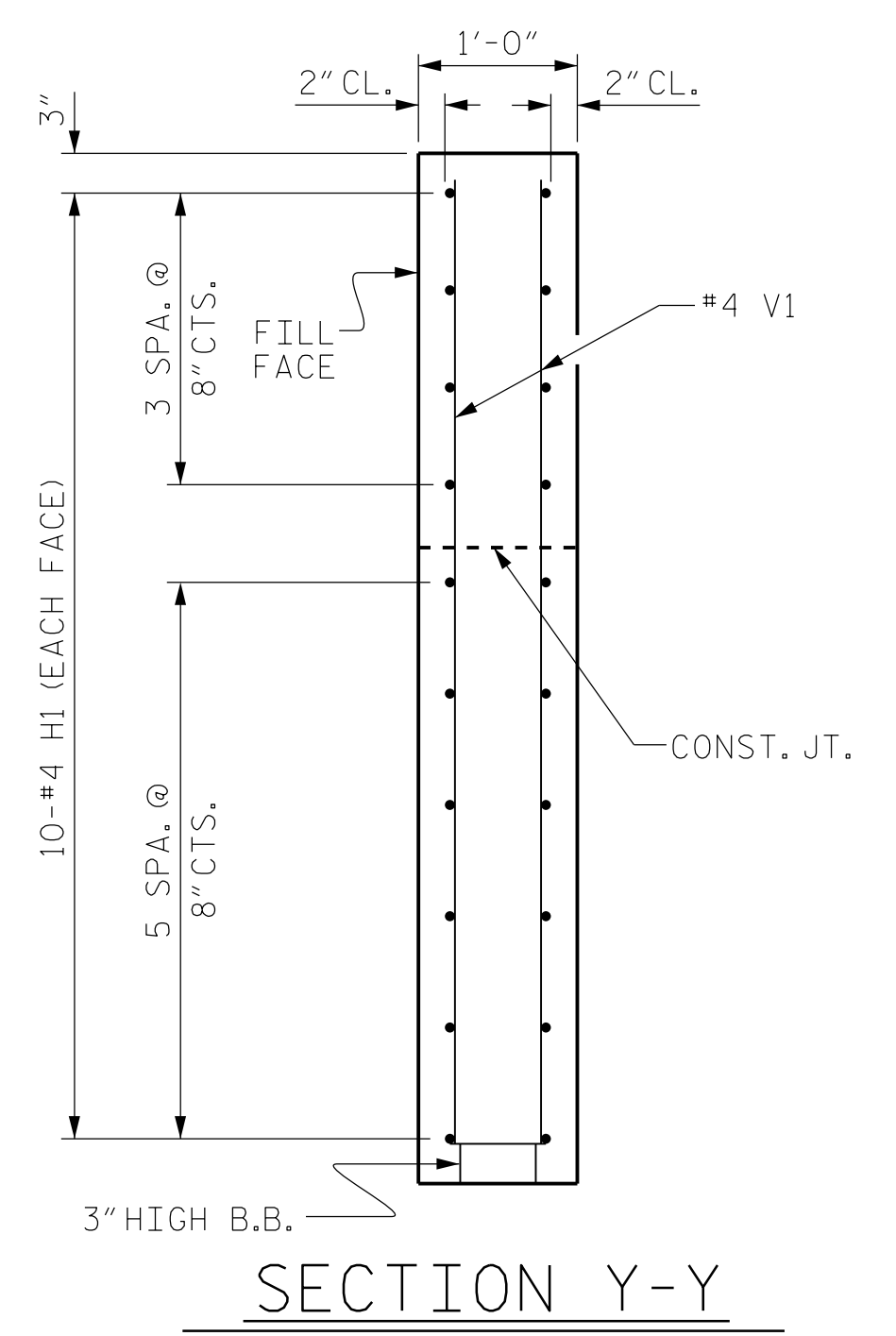
SECTION X-X



ELEVATION OF WING (W1)



ELEVATION OF WING (W2)



SECTION Y-Y

PROJECT NO. B-5333
 ROBESON COUNTY
 STATION: 37+28.50 -L-
 SHEET 3 OF 4 BRIDGE NO. 174

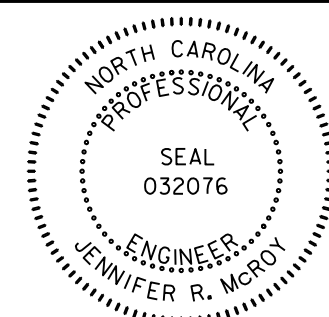
12/9/2016 8:46:51 AM JUSER: jmcrou

ASSEMBLED BY :	MTB	DATE :	04/16
CHECKED BY :	JRM	DATE :	04/16
DRAWN BY :	WJH 12/11	REV. 4/15	MAA/TMG
CHECKED BY :	AAC 12/11		

WING DETAILS

Dewberry
 2610 WYCLIFF ROAD
 SUITE 410
 RALEIGH, NC 27607
 PHONE: 919.881.9939
 NC COA No. F-0929

12/9/2016
 Jennifer R. Meley
 E11140791288475



STATE OF NORTH CAROLINA
 DEPARTMENT OF TRANSPORTATION
 RALEIGH

SUBSTRUCTURE
 END BENT
 WING DETAILS

REVISIONS					
No.	BY:	DATE:	No.	BY:	DATE:
1			3		
2			4		

SHEET No. **S02-17**
 TOTAL SHEETS 23

ST. NO. EB_36_9054