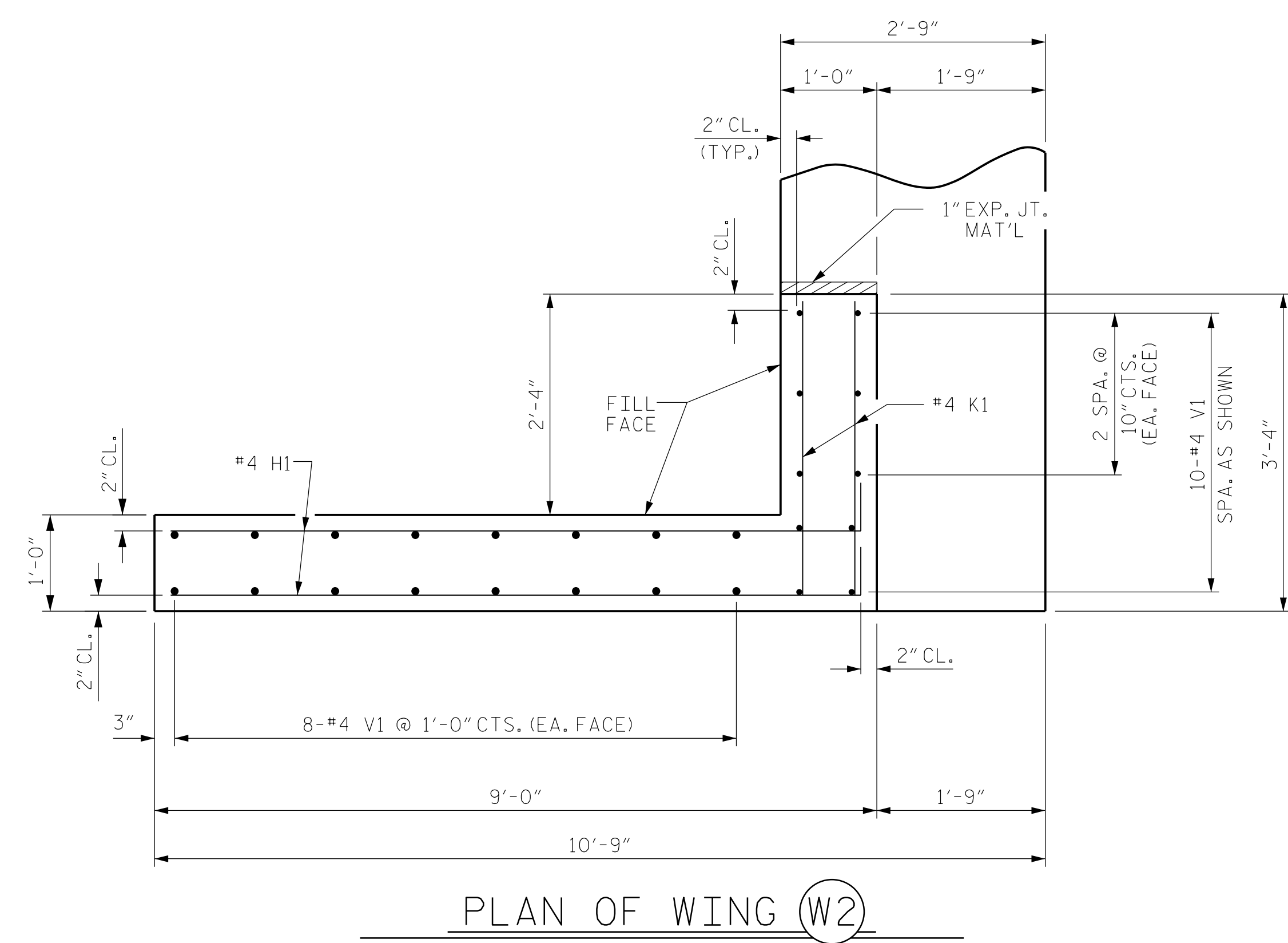
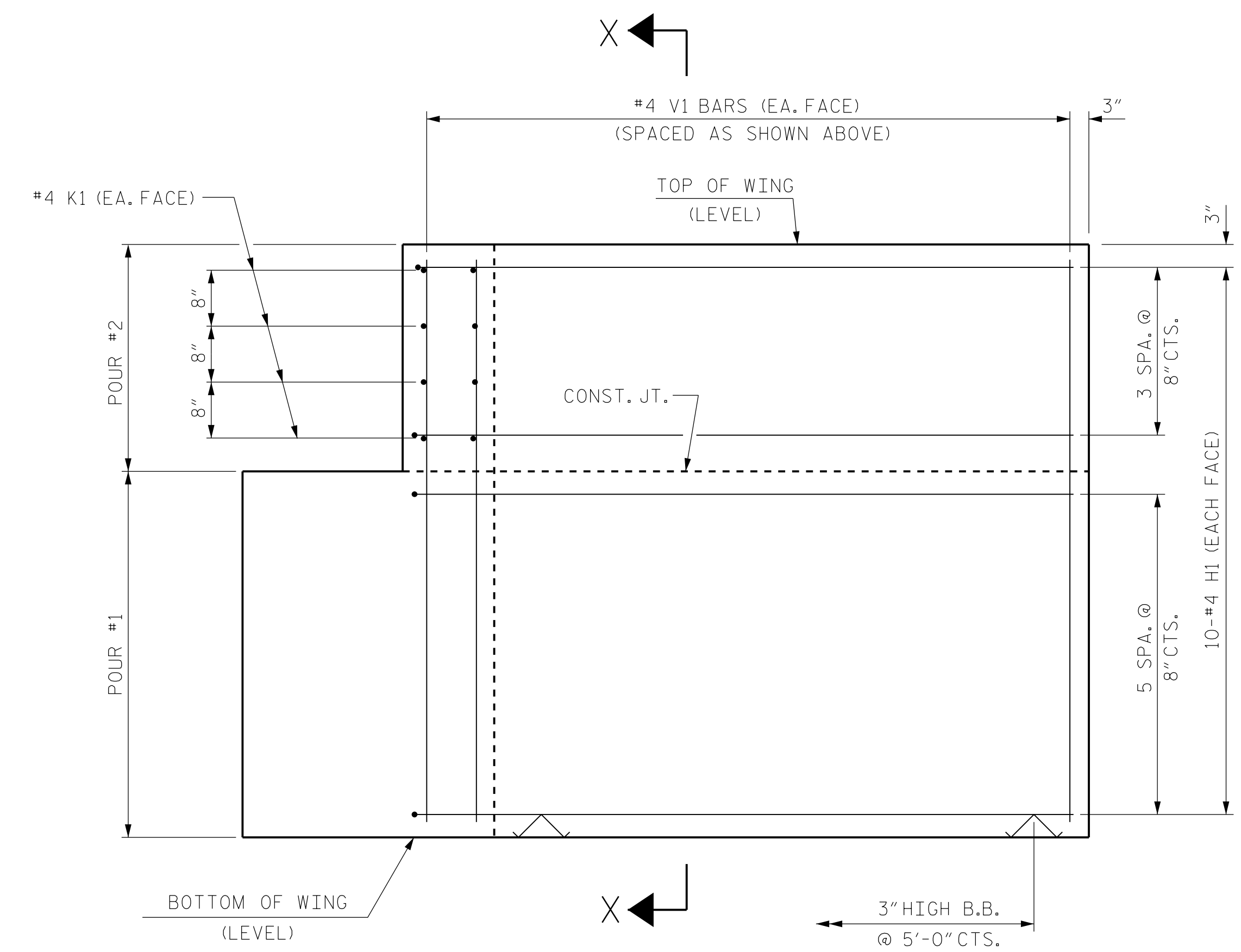


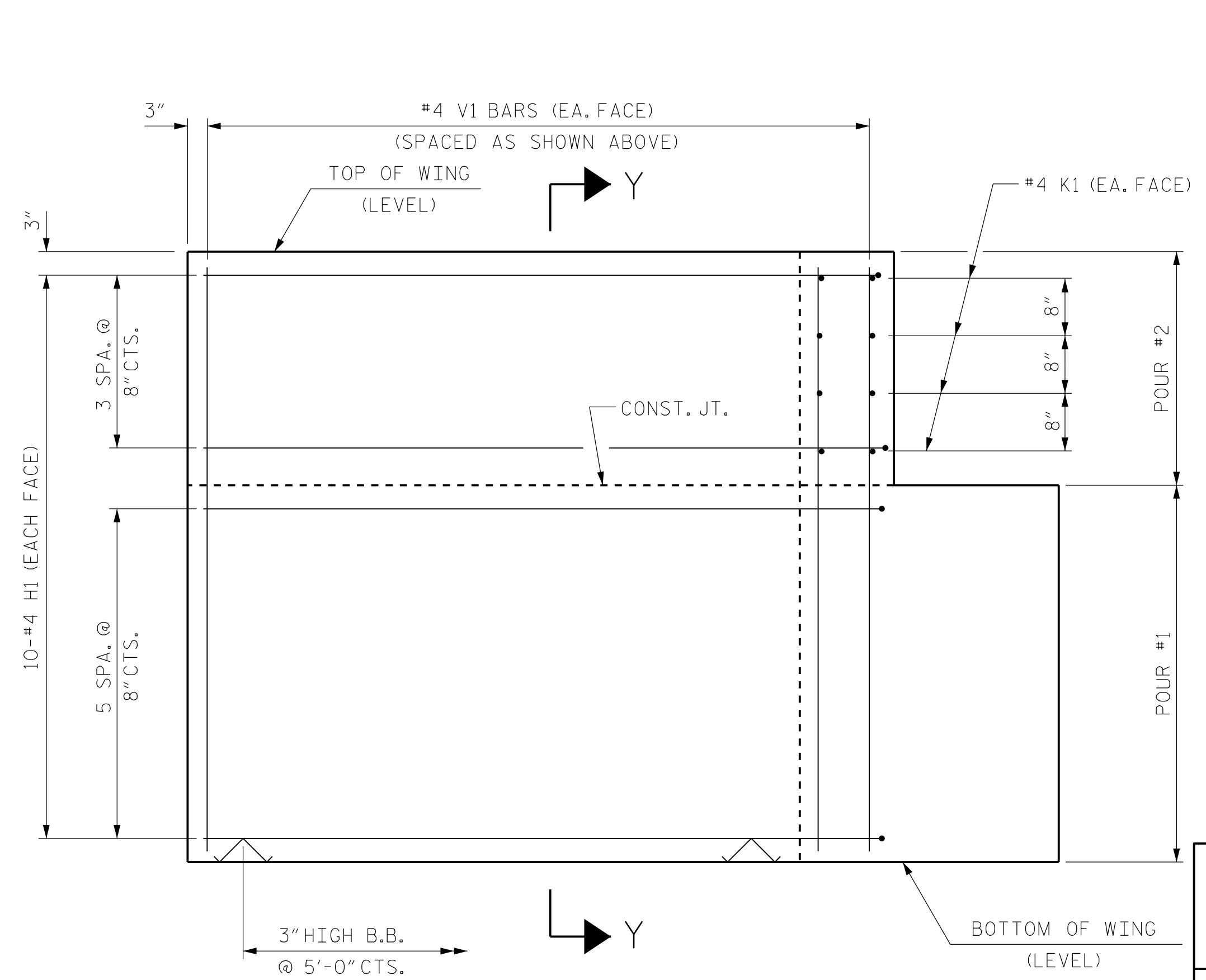
PLAN OF WING (W1)



PLAN OF WING (W2)

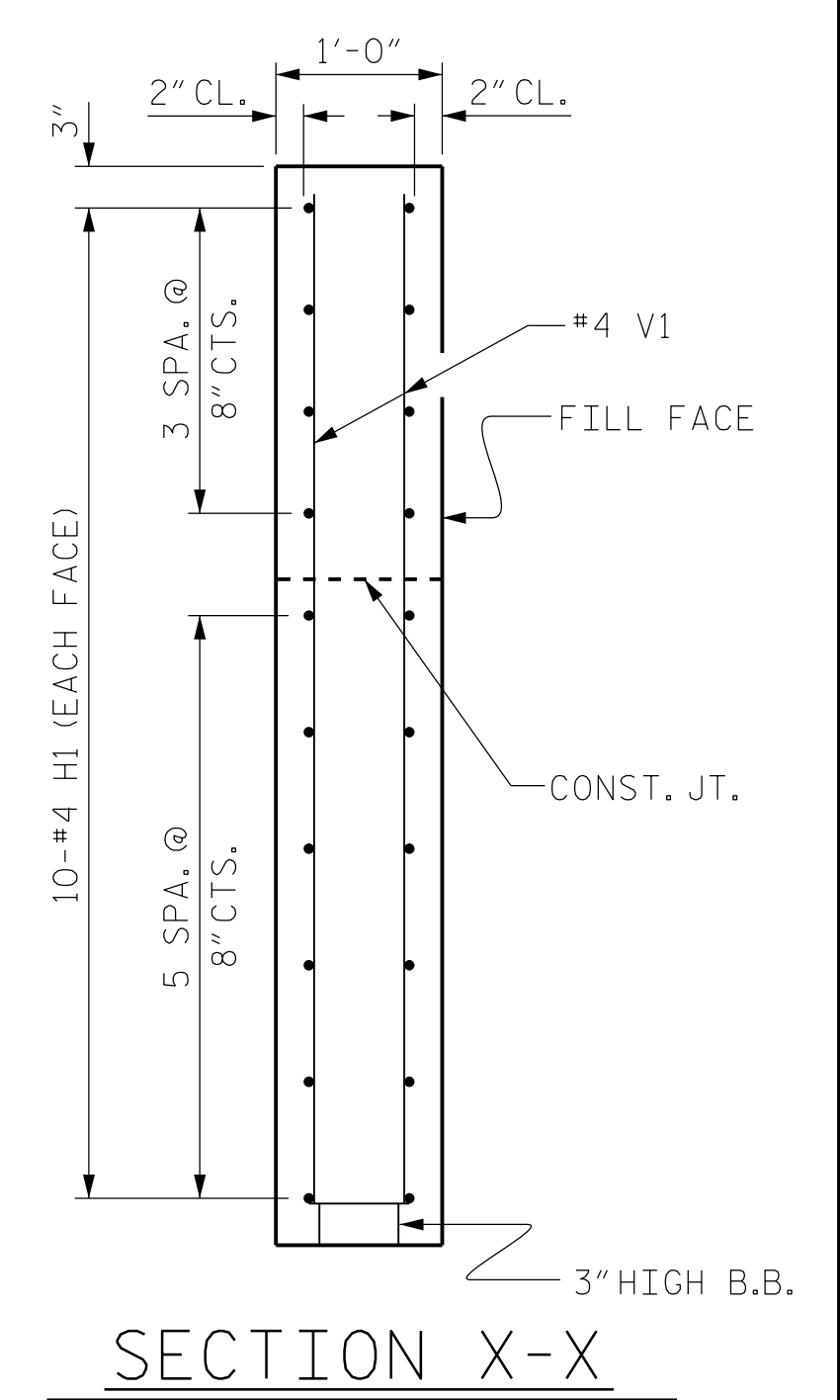


ELEVATION OF WING (W1)

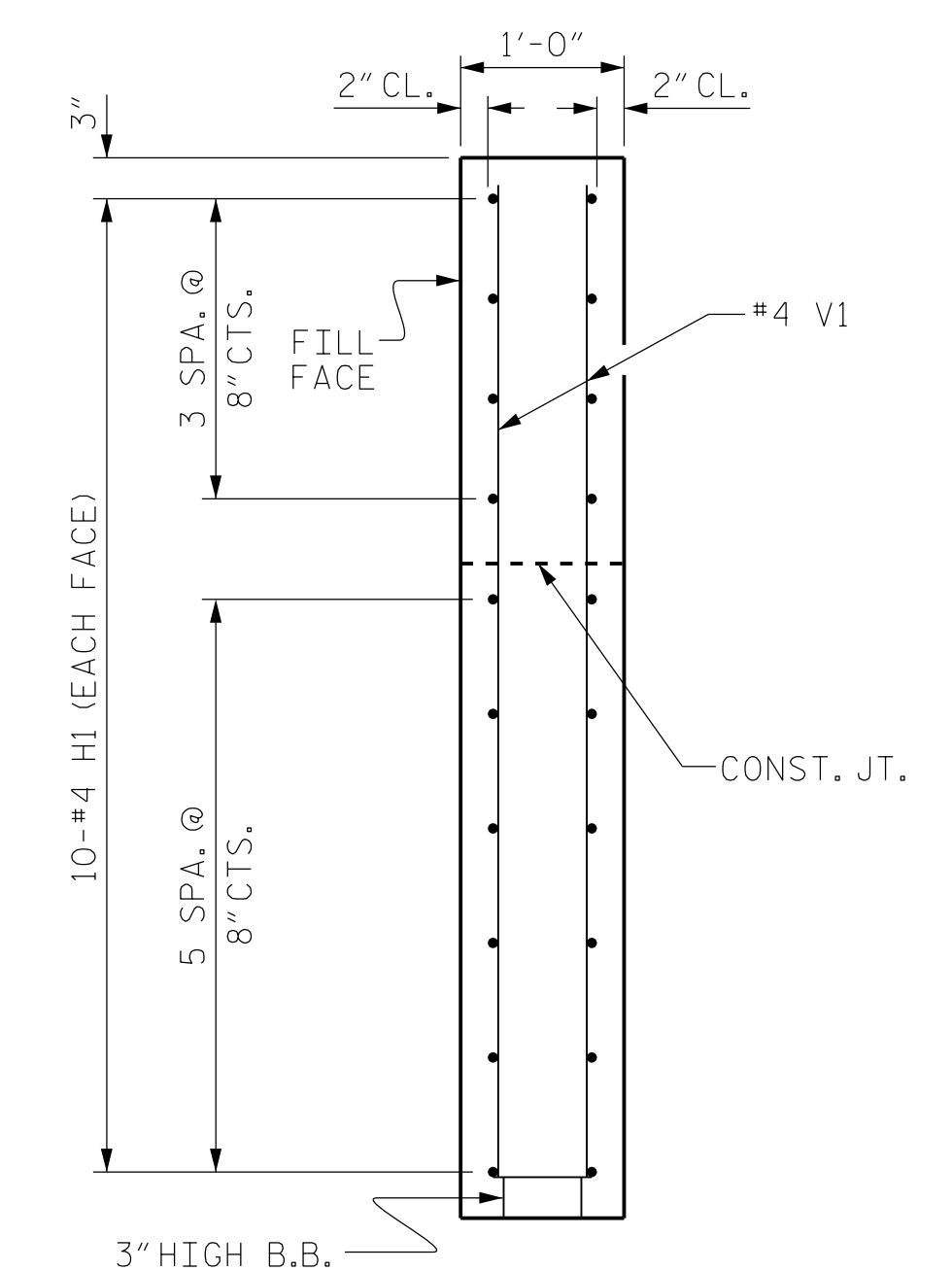


ELEVATION OF WING (W2)

WING DETAILS



SECTION X-X



SECTION Y-Y

PROJECT NO. B-5333
 ROBESON COUNTY
 STATION: 21+57.00 -L-
 SHEET 3 OF 4 BRIDGE NO. 173

Dewberry
 2301 REYWOODS DRIVE
 SUITE 200
 RALEIGH, NC 27607
 PHONE: 919.881.9939
 NC COA No. F-0929

SEAL
 032076
 ENGINEER
 JENNIFER R. MCKAY

DocuSigned by:
 Jennifer R. McKay 6/6/2016
 E1114C791288475...

| | | | | | |
|--|-----|-------|-----|-----|--------------------|
| STATE OF NORTH CAROLINA DEPARTMENT OF TRANSPORTATION RALEIGH | | | | | |
| SUBSTRUCTURE END BENT WING DETAILS | | | | | |
| REVISIONS | | | | | |
| No. | BY: | DATE: | No. | BY: | DATE: |
| 1 | | | 3 | | |
| 2 | | | 4 | | |
| SHEET No. S01-11 | | | | | TOTAL SHEETS 24 |

6/7/2016 9:08:00 AM 173_EBTWINGS.dgn USER: mbe1111

| | |
|------------------------|-------------------|
| ASSEMBLED BY : MTB | DATE : 04/16 |
| CHECKED BY : JRM | DATE : 04/16 |
| DRAWN BY : WJH 12/11 | REV. 4/15 MAA/TMG |
| CHECKED BY : AAC 12/11 | |