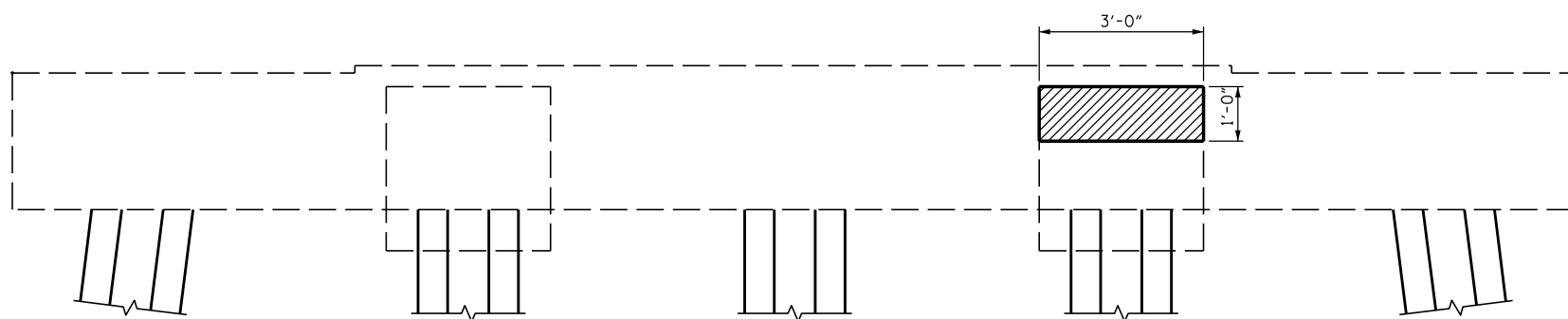
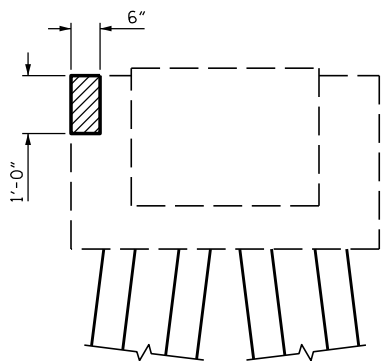


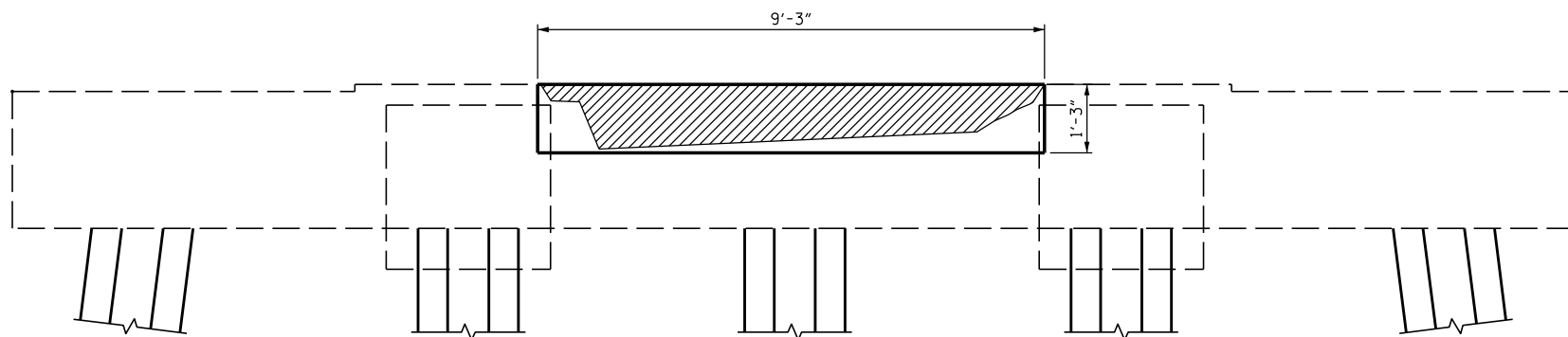
SIDE VIEW
NORTH FACE



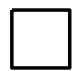
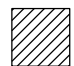
ELEVATION
WEST FACE



SIDE VIEW
SOUTH FACE




ELEVATION
EAST FACE

-  PROPOSED REPAIR AREAS
-  SUBSTRUCTURE SPALL/DELAMINATION

DRAWN BY : T. S. CHILDRESS DATE : 07-16
 CHECKED BY : S. L. CULLUM DATE : 07-16
 DESIGN ENGINEER OF RECORD: S. L. CULLUM DATE : 07-16

*****SYSTEM*****
 *****SDGN*****
 *****USERNAME*****

DocuSigned by:
Samuel Cullum
 19C97095C75A467...

 12/13/2016

PROJECT NO. B-5937
CURRITUCK/DARE COUNTY
 STATION: BRIDGE NO. 16

STATE OF NORTH CAROLINA
 DEPARTMENT OF TRANSPORTATION
 RALEIGH

**SUBSTRUCTURE CONC.
 REPAIR - BENT 218**

REVISIONS						SHEET NO.
NO.	BY:	DATE:	NO.	BY:	DATE:	
1			3			S-237
2			4			TOTAL SHEETS

DOCUMENT NOT CONSIDERED
 FINAL UNLESS ALL
 SIGNATURES COMPLETED