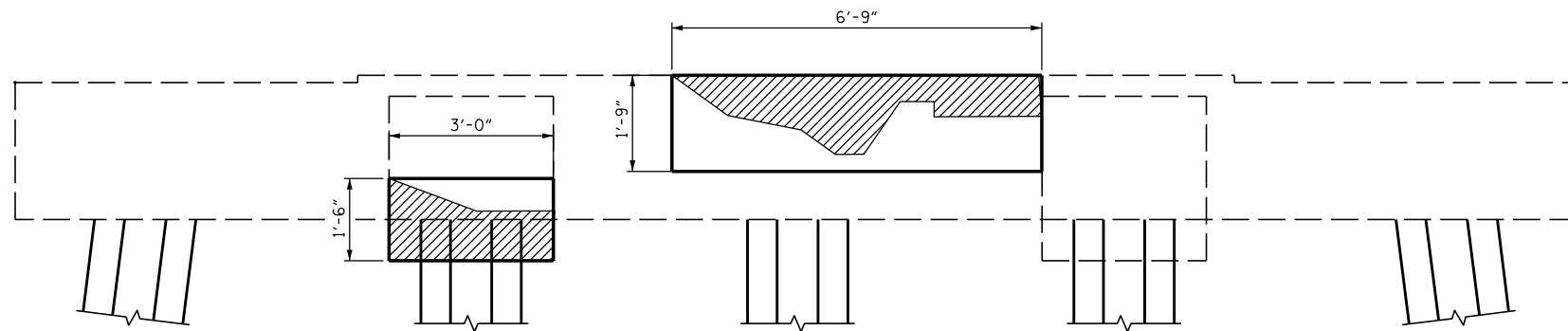
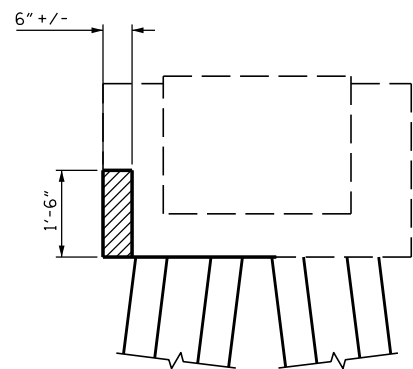


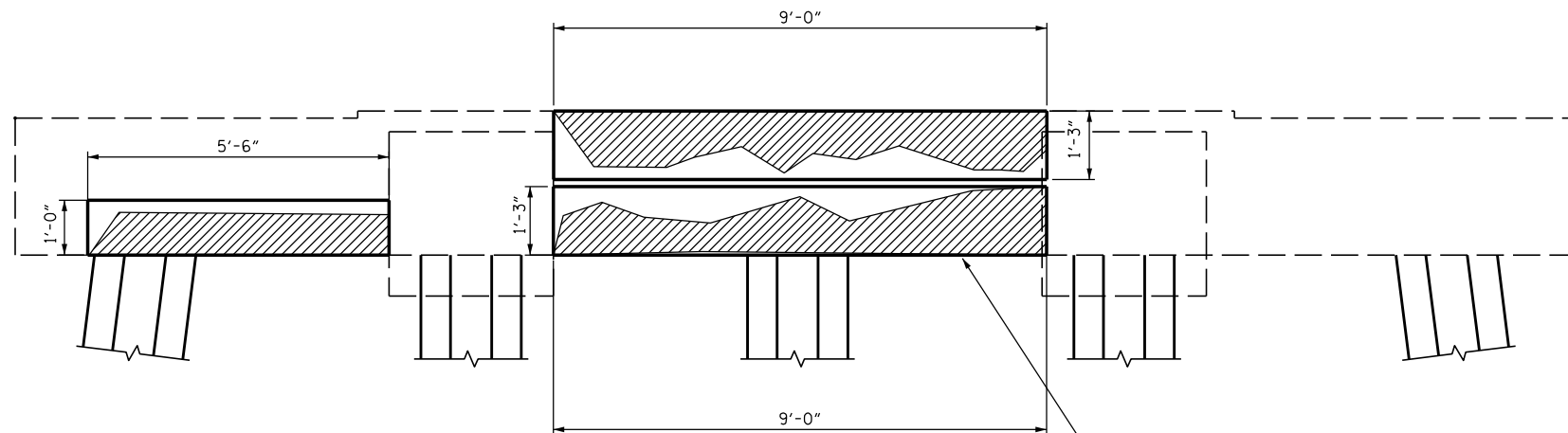
SIDE VIEW
NORTH FACE



ELEVATION
WEST FACE

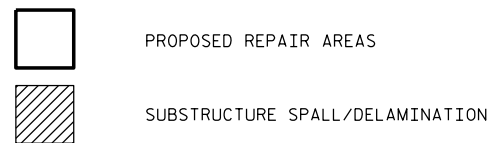


SIDE VIEW
SOUTH FACE



ELEVATION
EAST FACE

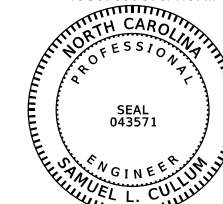
ANTICIPATE CAP
UNDERSIDE REPAIRS



PROJECT NO. B-5937
 CURRITUCK/DARE COUNTY
 STATION: BRIDGE NO. 16

DocuSigned by:
Samuel Cullum

19C97095C75A467...



12/13/2016

STATE OF NORTH CAROLINA
 DEPARTMENT OF TRANSPORTATION
 RALEIGH

**SUBSTRUCTURE CONC.
 REPAIR - BENT 214**

DRAWN BY : T. S. CHILDRESS DATE : 07-16
 CHECKED BY : S. L. CULLUM DATE : 07-16
 DESIGN ENGINEER OF RECORD: S. L. CULLUM DATE : 07-16

DOCUMENT NOT CONSIDERED
 FINAL UNLESS ALL
 SIGNATURES COMPLETED

REVISIONS						SHEET NO.
NO.	BY:	DATE:	NO.	BY:	DATE:	
1			3			S-233
2			4			TOTAL SHEETS

*****SYSTEM*****
 *****SDGN*****
 *****USERNAME*****