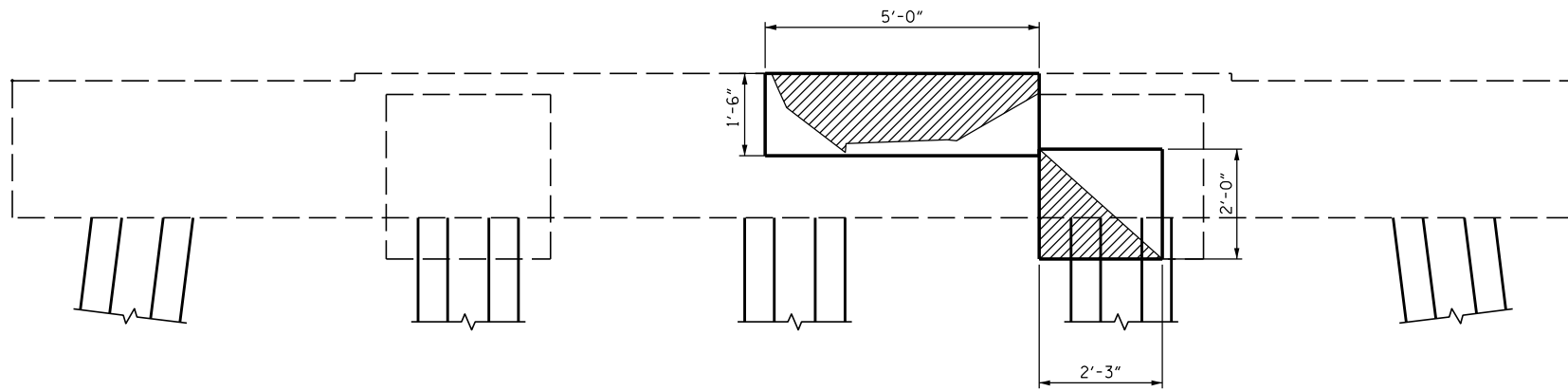
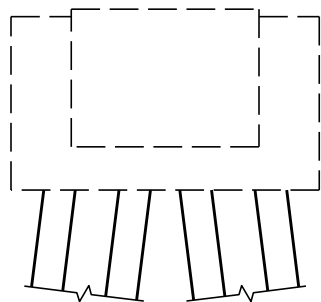


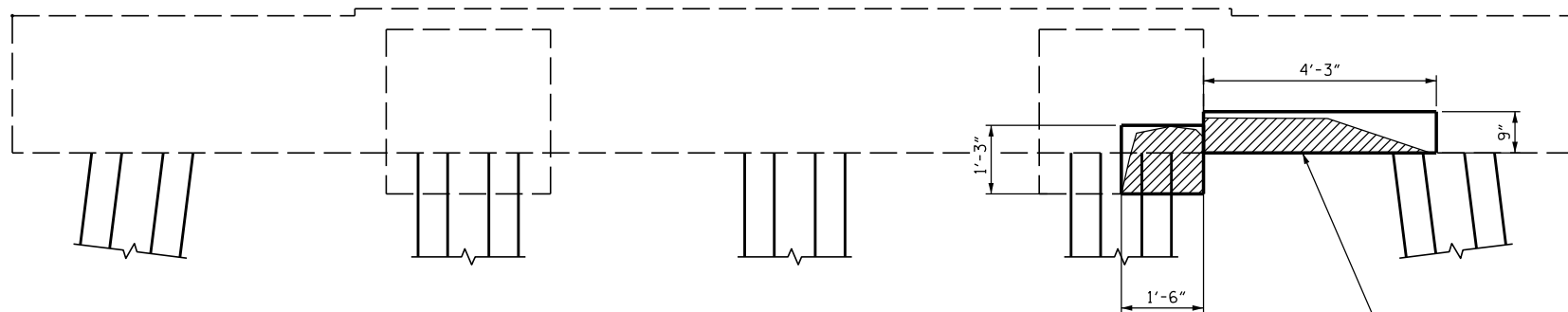
SIDE VIEW
NORTH FACE



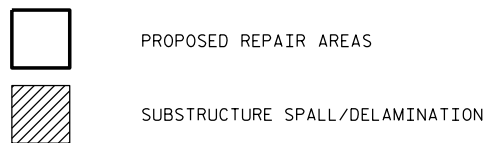
ELEVATION
WEST FACE



SIDE VIEW
SOUTH FACE



ELEVATION
EAST FACE



DocuSigned by:
Samuel Cullum
19C97095C75A467...
SEAL
043571
ENGINEER
SAMUEL L. CULLUM
12/13/2016

PROJECT NO. B-5937
CURRITUCK/DARE COUNTY
STATION: BRIDGE NO. 16

STATE OF NORTH CAROLINA DEPARTMENT OF TRANSPORTATION RALEIGH						SHEET NO.
SUBSTRUCTURE CONC. REPAIR - BENT 210						S-229
REVISIONS						TOTAL SHEETS
NO.	BY:	DATE:	NO.	BY:	DATE:	
1			3			
2			4			

DRAWN BY : T. S. CHILDRESS DATE : 07-16
CHECKED BY : S. L. CULLUM DATE : 07-16
DESIGN ENGINEER OF RECORD: S. L. CULLUM DATE : 07-16

DOCUMENT NOT CONSIDERED
FINAL UNLESS ALL
SIGNATURES COMPLETED