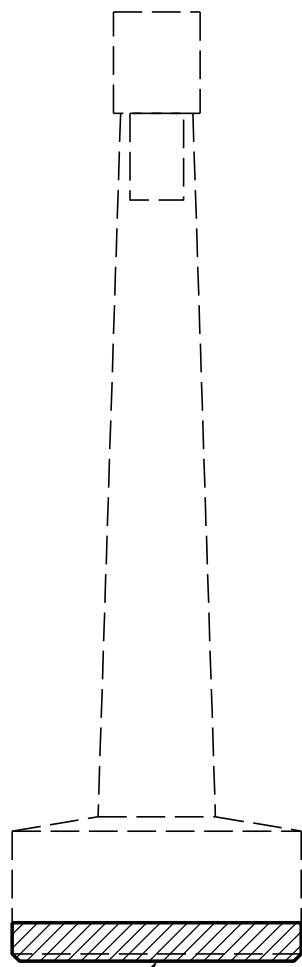
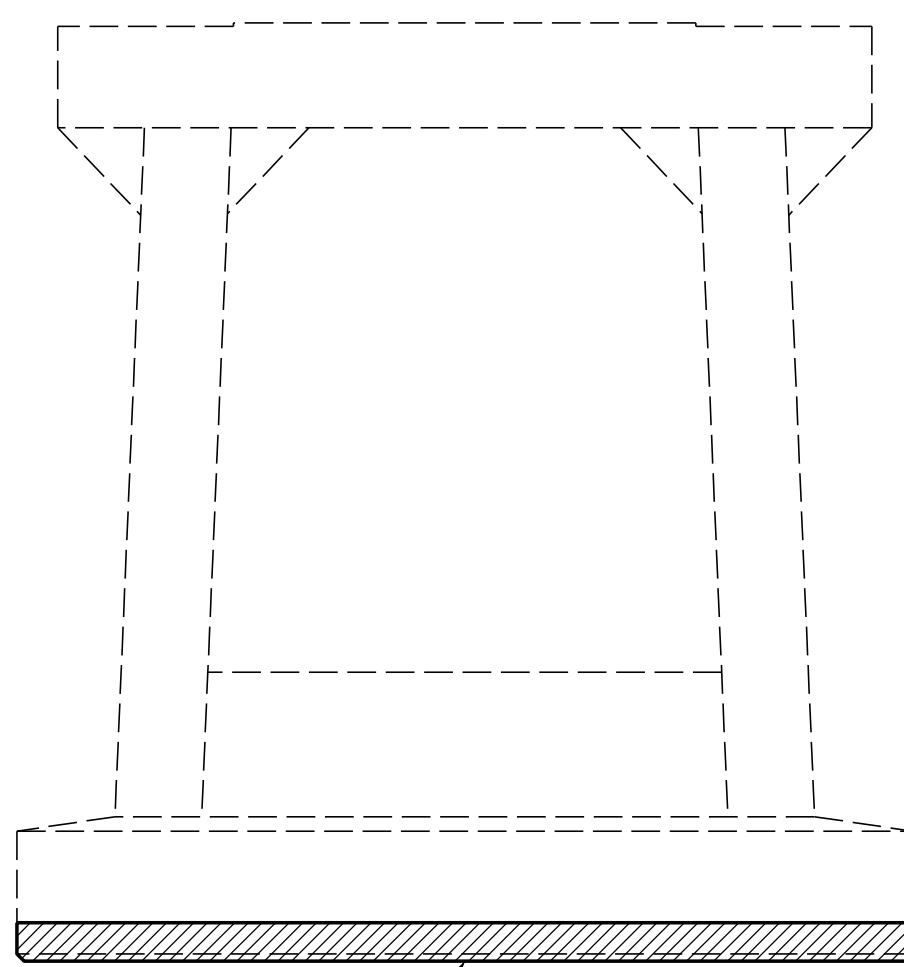


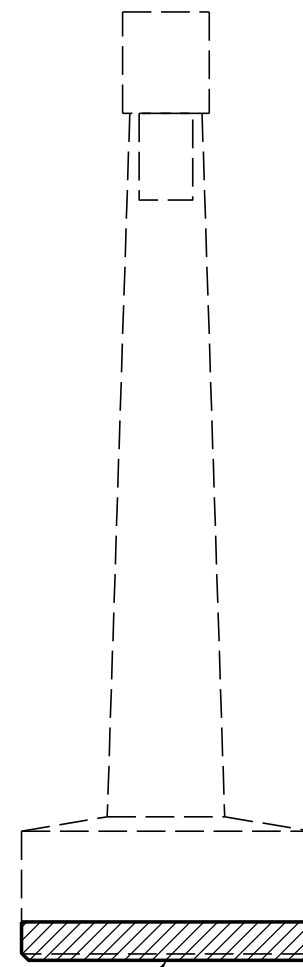
SEE NOTE BELOW  
ELEVATION  
WEST FACE



SEE NOTE BELOW  
SIDE VIEW  
SOUTH FACE


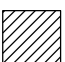


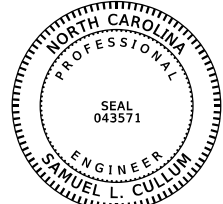
SEE NOTE BELOW  
ELEVATION  
EAST FACE



SEE NOTE BELOW  
SIDE VIEW  
NORTH FACE

NOTE - SEE CHANNEL BENT FOOTING RESTORATION SHEET

-  PROPOSED REPAIR AREAS
-  SUBSTRUCTURE SPALL/DELAMINATION

DocuSigned by:  
*Samuel Cullum*  
19C97095C75A467...  
  
12/13/2016

PROJECT NO. B-5937  
CURRITUCK/DARE COUNTY  
STATION: BRIDGE NO. 16

STATE OF NORTH CAROLINA  
DEPARTMENT OF TRANSPORTATION  
RALEIGH  
  
SUBSTRUCTURE CONC.  
REPAIR - BENT 181

DRAWN BY : J. B. HANNA DATE : 07-16  
CHECKED BY : S. L. CULLUM DATE : 07-16  
DESIGN ENGINEER OF RECORD: S. L. CULLUM DATE : 07-16

DOCUMENT NOT CONSIDERED  
FINAL UNLESS ALL  
SIGNATURES COMPLETED

REVISIONS						SHEET NO.
NO.	BY:	DATE:	NO.	BY:	DATE:	TOTAL SHEETS
1			3			S-200
2			4			