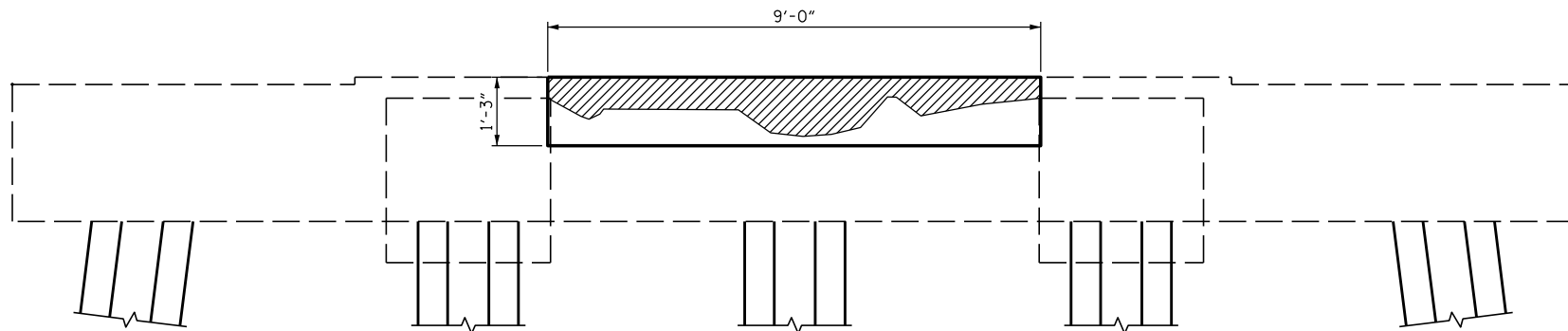
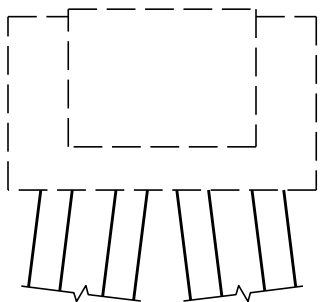


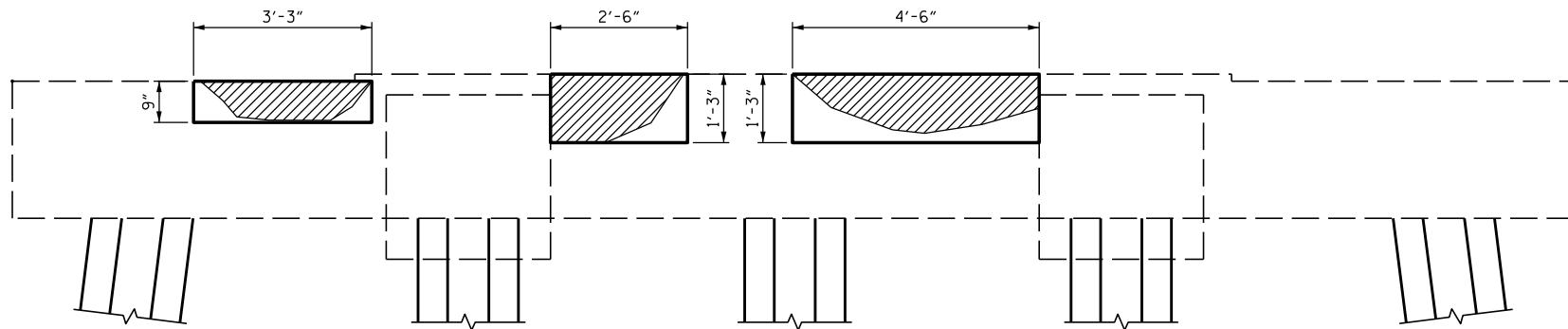
SIDE VIEW
NORTH FACE



ELEVATION
WEST FACE



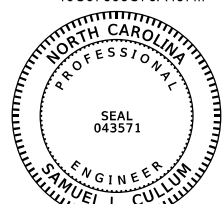
SIDE VIEW
SOUTH FACE



ELEVATION
EAST FACE

- PROPOSED REPAIR AREAS
- SUBSTRUCTURE SPALL/DELAMINATION

DocuSigned by:
Samuel Cullum
19C97095C75A467...



12/13/2016

PROJECT NO. B-5937
CURRITUCK/DARE COUNTY
STATION: BRIDGE NO. 16

STATE OF NORTH CAROLINA
DEPARTMENT OF TRANSPORTATION
RALEIGH

SUBSTRUCTURE CONC.
REPAIR - BENT 167

DRAWN BY : J. B. HANNA DATE : 07-16
CHECKED BY : S. L. CULLUM DATE : 07-16
DESIGN ENGINEER OF RECORD: S. L. CULLUM DATE : 07-16

DOCUMENT NOT CONSIDERED
FINAL UNLESS ALL
SIGNATURES COMPLETED

| REVISIONS | | | | | | SHEET NO. |
|-----------|-----|-------|-----|-----|-------|--------------|
| NO. | BY: | DATE: | NO. | BY: | DATE: | |
| 1 | | | 3 | | | S-188 |
| 2 | | | 4 | | | TOTAL SHEETS |

*****SYSTEM*****
*****SDGN*****
*****USERNAME*****