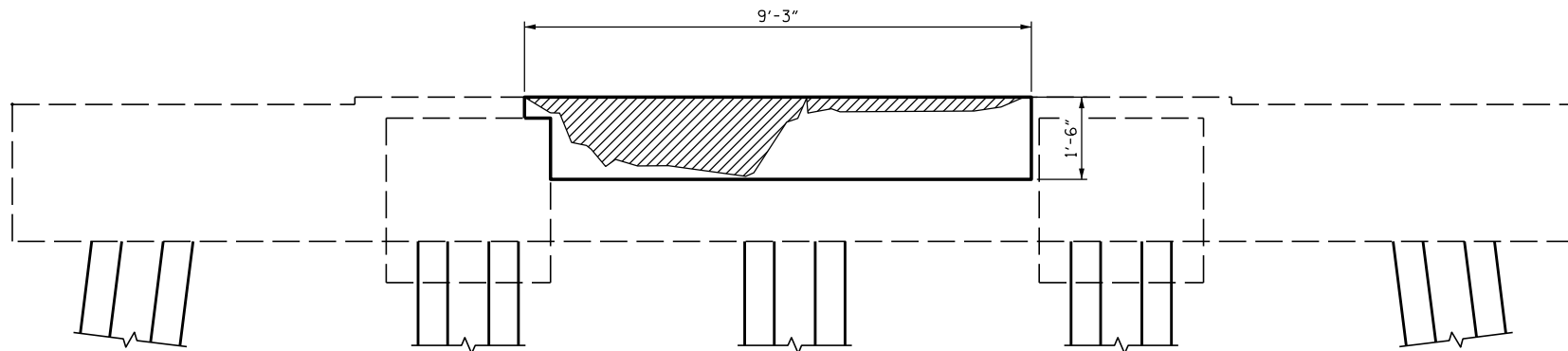
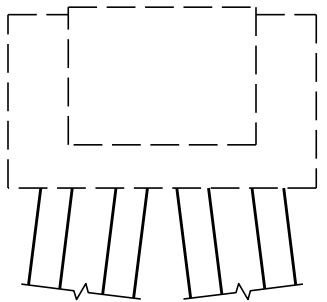


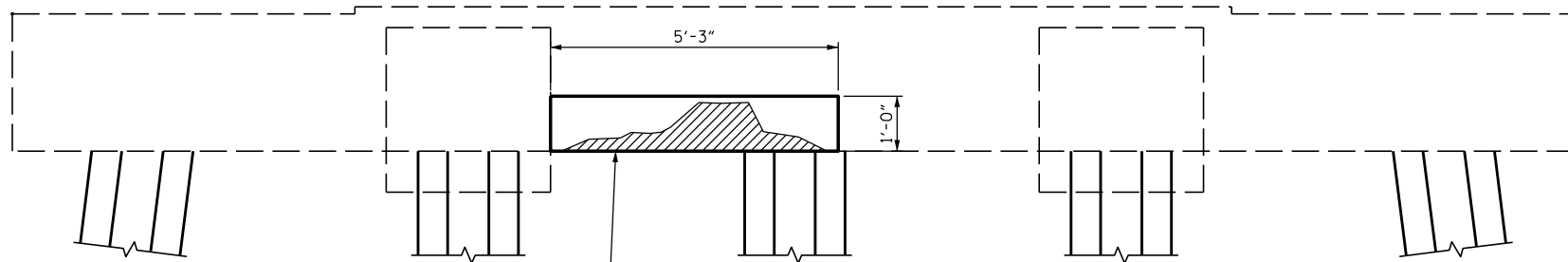
SIDE VIEW  
NORTH FACE



ELEVATION  
WEST FACE



SIDE VIEW  
SOUTH FACE



ELEVATION  
EAST FACE

ANTICIPATE CAP  
UNDERSIDE REPAIRS



PROPOSED REPAIR AREAS

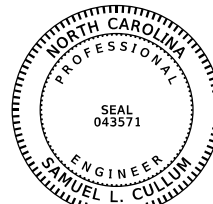


SUBSTRUCTURE SPALL/DELAMINATION

DRAWN BY : J. B. HANNA DATE : 07-16  
 CHECKED BY : S. L. CULLUM DATE : 07-16  
 DESIGN ENGINEER OF RECORD: S. L. CULLUM DATE : 07-16

\*\*\*\*\*SYSTEM\*\*\*\*\*  
 \*\*\*\*\*SDGN\*\*\*\*\*  
 \*\*\*\*\*USERNAME\*\*\*\*\*

DocuSigned by:  
 Samuel Cullum  
 19C97095C75A467...



12/13/2016

PROJECT NO. B-5937  
 CURRITUCK/DARE COUNTY  
 STATION: BRIDGE NO. 16

|  |     |       |     |     |                                    |
|--|-----|-------|-----|-----|------------------------------------|
| STATE OF NORTH CAROLINA<br>DEPARTMENT OF TRANSPORTATION<br>RALEIGH |     |       |     |     |                                    |
| SUBSTRUCTURE CONC.<br>REPAIR - BENT 163                            |     |       |     |     |                                    |
| REVISIONS  |     |       |     |     |                                    |
| NO.  | BY: | DATE: | NO. | BY: | DATE:                              |
| 1  |     |       | 3   |     |                                    |
| 2  |     |       | 4   |     |                                    |
|  |     |       |     |     | SHEET NO.<br>S-182<br>TOTAL SHEETS |

DOCUMENT NOT CONSIDERED  
 FINAL UNLESS ALL  
 SIGNATURES COMPLETED